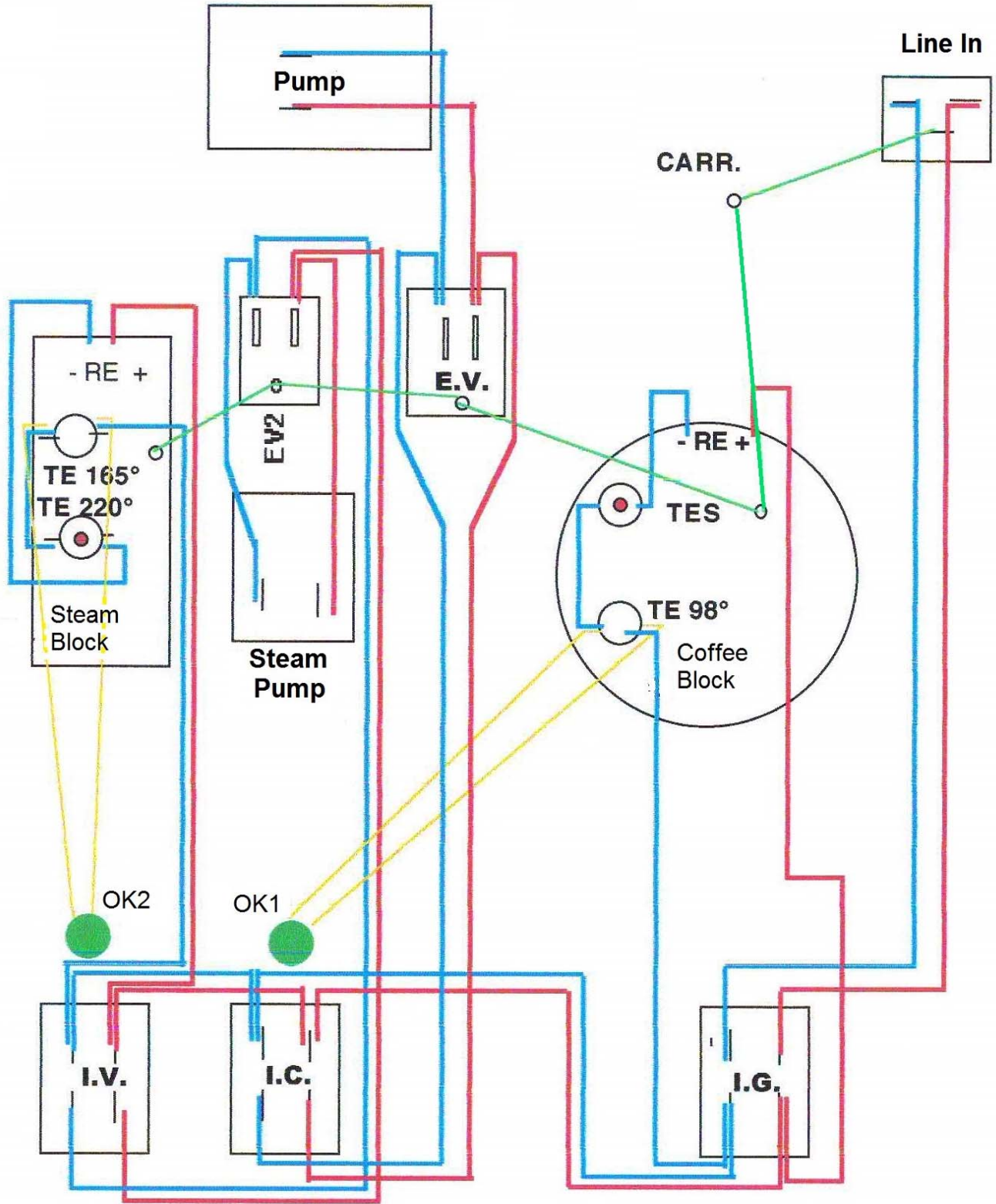
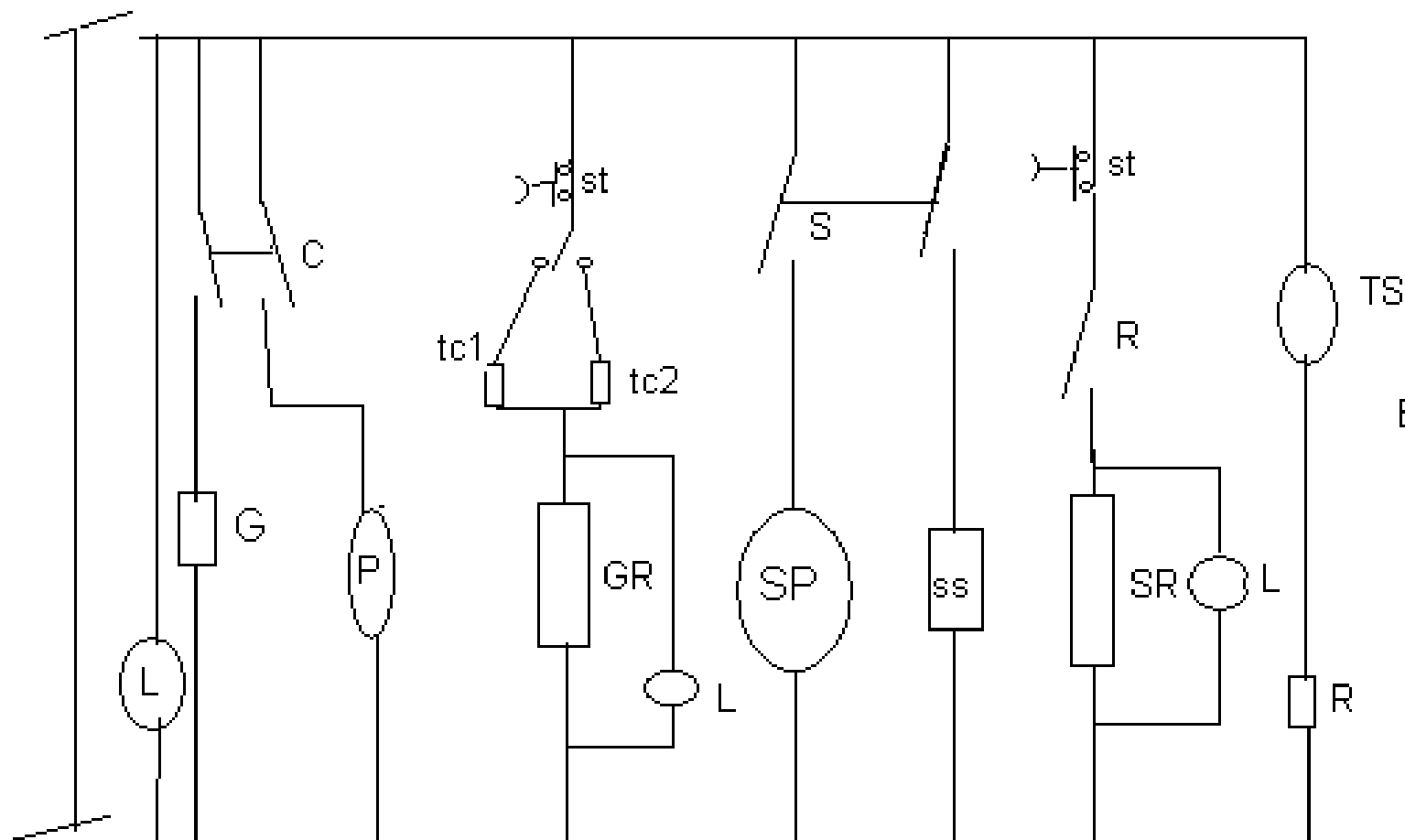


# Livietta T2 Ele. Wiring Diagram



I.G. = Main Switch  
 I.C. = Brew Switch  
 I.V. = Steam Switch  
 TE = ThermoStat  
 TES = ThermoStat  
 RE = Heating Ele Both

Mors. = Terminal Block  
 E.V. = Coffee 3 way valve  
 EV2 = Steam 3 way valve  
 OK1 = Ready light Coffee  
 OK2 = Ready light Steam



SR=1000 w      GR=500 w

total watage 1500w  
 13.6-14.9 amps.  
 110-120 vac

- B=Brew light
- b1=b switch
- b2=B switch
- R=relay coil
- C=Coffee Switch
- G=group sol valve
- P=coffee pump
- TC=group thermostat
- GR=group heat. ele
- SP=steam pump
- TS=steam gen thermo
- SR=steam gen heat ele
- S= steam switch
- L=Lights
- ss=steam qen sol
- st=thermo reset