

HD8763/01-06-09-11
 HD8763/18-19-21-31
 HD8773/47 HD8867/11-12

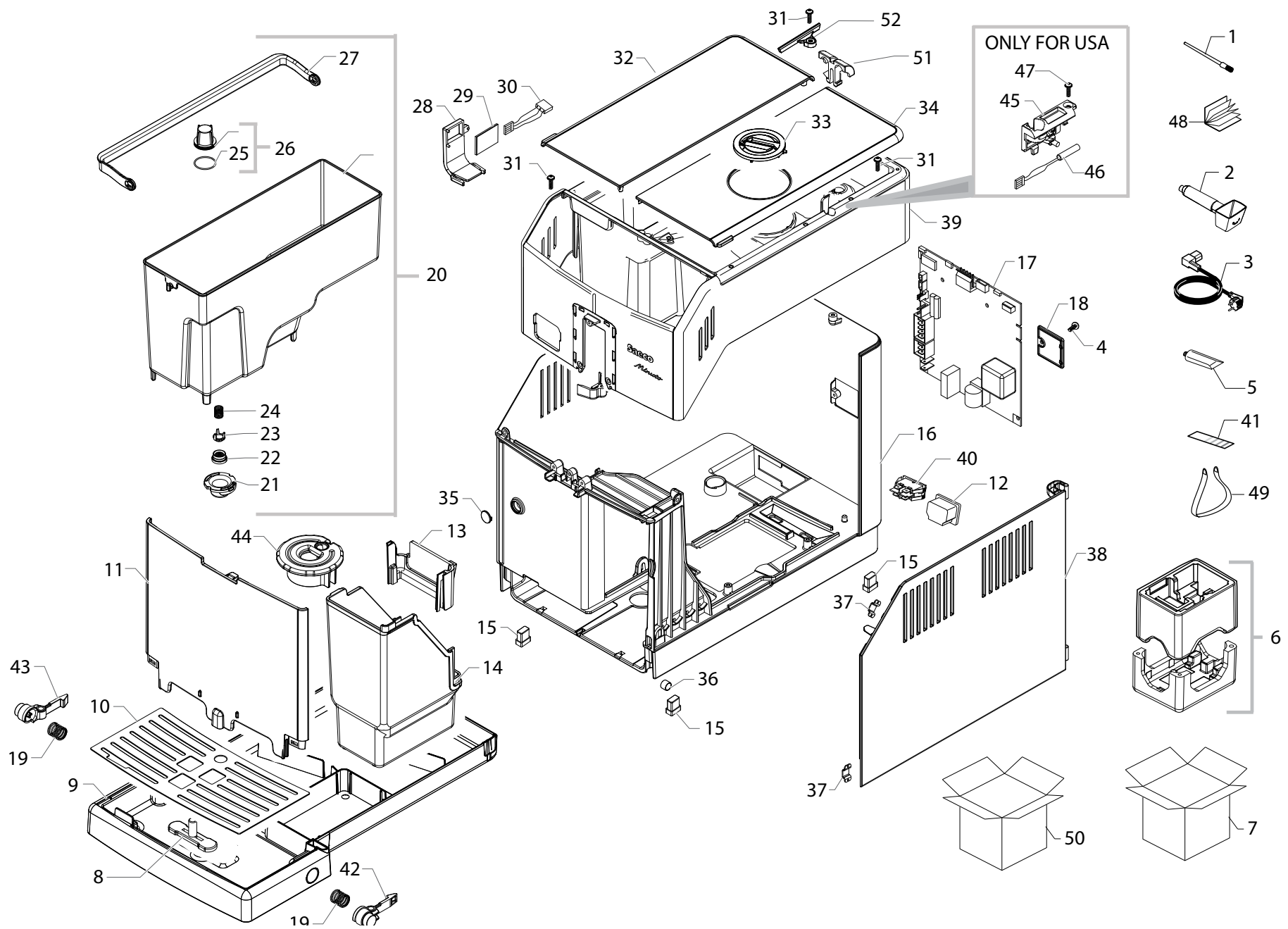


Cod.10004364-882876306470-6309010-10004418
 Cod.882876318150-6319010-6321100-6331010
 Cod.10004419-882886711010-6712010

POS	CODE	12NC	DESCRIPTION	NOTE	POS	CODE	12NC	DESCRIPTION	NOTE
01	127390100	996530011867	BRUSH FOR CLEANING		17		421941307221	CPU+SW SMR/TL 230V ASSY.	HD8867/11-12
02		421944033301	BLK ABS COFFEE MEASURE SMART				421941302461	CPU+SW SMR 120V NA ASSY.	HD8773/47
03		421946001591	BLK POWER CABLE SCHUKO L=800		18	17001484	996530068728	MATT/BLK REAR CASING PROGRAM.INSERT NPR	
	183970350	996530025882	BLACK POWER CABLE UK L=1200	HD8763/18		11031663	996530073499	CRC REAR CASING PROGRAM.INSERT NPR	
	183921950	996530025843	BLK POWER CABLE SJT3 USA UL L=1200	HD8773/47			421944035411	CRC/L REAR CASING PROGRAM.INSERT NPR	HD8763/31
	11001985	996530001089	BLK POWER CABLE KOREA L=1200				421944034441	G/ANT REAR CASING PROGRAM.INSERT NPR	HD8867/11
04	129913202	996530013156	SCREW TCB TORX 10 3X8 PLAST.ZN-B				421944041561	RED REAR CASING PROGRAM.INSERT NPR	HD8867/12
05		421946017941	KLUBERLUB NH1 11-222 TUBE 5GR.		19	11000759	996530000487	HOT WATER TUBE SPRING P124	
06		421940812921	KIT PS-E INSERT FOR BOX SMR		20	17001363	996530073476	NAT/GREY WATER CONTAINER SMR ASSY.	
07		421946015671	DISPL.BOX V3 SMR/P-H-T SAE MINUTO		21	17001366	996530073463	BLACK LID FOR DUCKBILL VALVE SMR	
		421944016091	DISPL.BOX SMR/TS SAE MINUTO CAPP.USA	HD8773/47	22	11003671	996530001829	TRANSP.VALVE FOR WATER CONTAINER P0049	
08		421941304791	RED/3003 FLOAT FOR DRIP TRAY XSM		23		421941157852	GRY WATER CONTAINER VALVE INSERT P0049	
09		421944010201	M/BLK DRIP TRAY SMR/T ASSY.		24	11003672	996530001831	SS SPRING FOR WATER CONTAIN.VALVE P0049	
10	17002111	996530073645	SB/SS GRATE FOR DRIP TRAY SMR/T	HD8773/47	25	140328461	996530013571	OR ORM 0190-10 EPDM	
		421944034471	BA/SS GRATE FOR DRIP TRAY SMR/T		26	224640200	996530029115	WHITE WATER CONTAINER EXT.FILTER ASSY.	WITH POS. 25
11		421944014691	M/BLK DRIP TRAY INSERT V2 SMR	HD8763/01-09-18	27	17001322	996530073442	BLACK WATER CONTAINER HANDLE SMR	
		421944014751	CRC DRIP TRAY INSERT V2 SMR		28	17001474	996530073436	BLACK WATER LEVEL SENSOR SUPPORT SMR	
			HD8763/11-19-HD8773/47		29	11003232	996530001522	AS.CPU+SW WATER LEVEL SENSOR V2	KEEP FOR 120V
		421944038991	G/ANT DRIP TRAY INSERT V2 SMR	HD8867/11				FOR 230V - UP TO S/N TW901436526726	
		421944041491	RED DRIP TRAY INSERT SMR	HD8867/12			421941306721	CPU+SW WATER LEVEL SENSOR V3 ASSY.	
		421944035401	CRC/L DRIP TRAY INSERT V2 SMR	HD8763/31				FOR 230V - FROM S/N TW901436526727	
12	12000280	996530007788	CUP SOCKET EN 60320 C 13		30		421946000021	3POLES CONNECTOR WATER LEVEL SMR UL	
13	17001005	996530073483	BLACK DUMP BOX INSERT NPR		31	12001728	996530070321	SCREW TCB TORX 10 3,5X12 PLAST.SS	
14	17001503	996530073437	BLACK DUMP BOX SMR		32	17001209	996530073425	TRANSP/GREY WATER CONTAINER LID SMR	
15	17001556	996530073468	TRANSP.SILICONE FOOT SMR				421944025451	BLK WATER CONTAINER LID V2 SMR	
16		421944014591	M/BLK CASING SMR ASSY.	HD8763/01-09-18				FROM S/N TW901423325762	
		421944014631	CRC CASING SMR ASSY.				421944039011	G/ANTWATER CONTAINER LID V2 SMR	HD8867/11
			HD8763/11-19 - HD8773/47				421944041541	RED WATER CONTAINER LID SMR	HD8867/12
		421944035391	CRC/L CASING SMR ASSY.	HD8763/31	33	11031477	996530073487	TRANSP/GREY GROUND COFFEE HOPPER LID NPR	
		421944038971	G/ANT CASING SMR ASSY.	HD8867/11	34		421944008211	BLK BEAN COF.CONT.LID W/SEAL SMR/T	
		421944041481	RED CASING SMR ASSY.	HD8867/12				UP TO S/N TW901423325761	
17		421941308231	KIT SPARES CPU+SW H2S3 SMR 230V ASSY.	230V			421944025441	BLK BEAN COF.CONT.LID V2 SMR/B-H-P	
			DON'T USE FOR HD8763/31					FROM S/N TW901423325762	
			FOR HD8763/01-06-09-11-18-19-21				421944016001	BLK BEAN COF.CONT.LID SMR/TS ASSY.	HD8773/47
			UP TO S/N TW901436526726					UP TO S/N TW901423325761	
		421941308281	KIT SPARES CPU+SW H2S4 SMR/PRM 230V ASSY.	230V			421944027571	BLK BEAN COF.CONT.LID V2 SMR/HS ASSY.	HD8773/47
			ALWAYS VALID FOR HD8763/31					FROM S/N TW901423325762	
			FOR HD8763/01-06-09-11-18-19-21						
			FROM S/N TW901436526727						



MINUTO CAPPUCINO



HD8763/01-06-09-11
 HD8763/18-19-21-31
 HD8773/47 HD8867/11-12

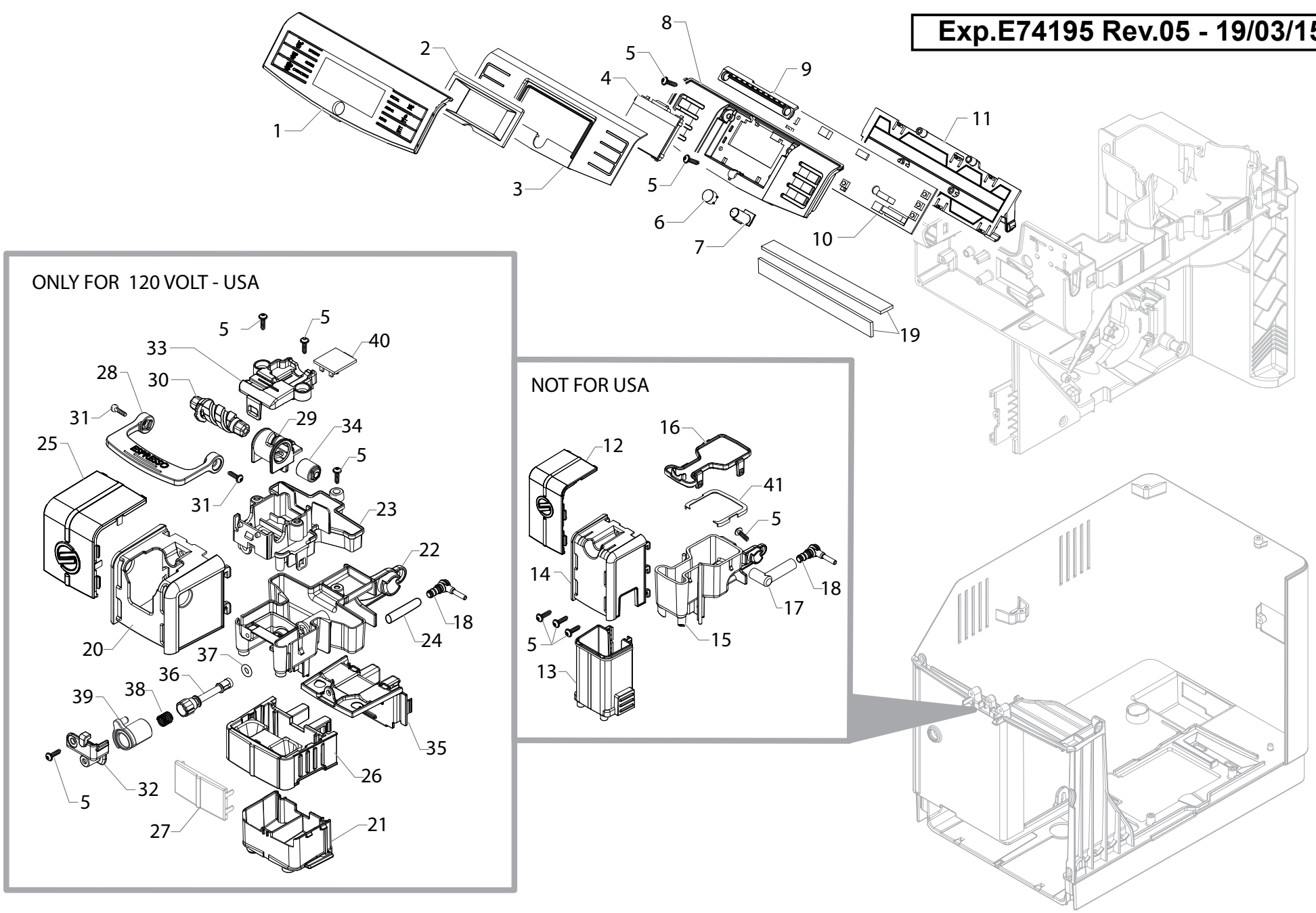


Cod.10004364-882876306470-6309010-10004418
 Cod.882876318150-6319010-6321100-6331010
 Cod.10004419-882886711010-6712010

POS	CODE	12NC	DESCRIPTION	NOTE	POS	CODE	12NC	DESCRIPTION	NOTE
34		421944039001	G/ANT BEAN COF.CONT.LID V2 SMR/B-H-P	HD8867/11	48		421946005601	MANUAL SAE HD8773 SMR/TS ES	HD8773/47
		421944041521	RED BEAN COF.CONT.LID W/SEAL SMR/T	HD8867/12			421946014431	MANUAL SAE HD8763 V2 SMR/T DE	HD8763/01-11-31
35	11031523	996530073462	BLACK INFRAREDS PLATE RYL				421946014471	MANUAL SAE HD8763 V2 SMR/T GB	HD8763/01-11-31
36	9161.111	996530050555	MAGNET FOR FLOAT SUPERAUT.				421946018511	MANUAL SAE HD8867 V2 SMR/TL DE	HD8867/11-12
37	11013220	996530069857	STEEL PLATE FOR DOOR MAGNET XSM				421946018521	MANUAL SAE HD8867 V2 SMR/T GB	HD8867/11-12
38	17001065	996530073429	MATT/BLACK RIGHT SIDE DOOR SMR	HD8763/01-09-18	49	179990300	996530022764	BAND FOR LIFTING L=1550MM H=300MM	HD8773/47
	11031665	996530073502	CRC RIGHT SIDE DOOR SMR		50		421944014401	WHT EXTERNAL BOX SMR SAE MINUTO	HD8773/47
		421944035421	CRC/L RIGHT SIDE DOOR SMR	HD8763/31	51		421944023921	BLK LIDS FIXING INSERT SMR	
		421944039051	G/ANT RIGHT SIDE DOOR SMR	HD8867/11	52		421944040451	BLK CONT.SEP.INSERT SMR	
		421944041551	RED RIGHT SIDE DOOR SMR	HD8867/12					
39	17001951	996530073646	MATT/BLK UPPER COVER CASING S/SCR.SMR/T	HD8763/01-09-18					
		421944027141	M/BLK UPP.CASING COVER V3 S/SCR.SMR/T	HD8763/01-09-18					
		421941306211	CRC UPP.CASING COVER S/SCR.SMR/T	HD8763/11-19					
		421944027151	CRC UPP.CASING COVER V3 S/SCR.SMR/T	HD8763/11-19					
		421944016041	CRC UPP.CASING COVER V2 S/SCR.SMR/T	HD8773/47					
		421944027401	CRC UPP.CASING COVER V4 S/SCR.SMR/T	HD8773/47					
		421944035431	CRC/L UPP.CASING COVER V3 S/SCR.SMR/T	HD8763/31					
		421944039141	G/ANT UPP.CASING COVER V3 S/SCR.SMR/T	HD8867/11					
		421944041581	RED UPP.CASING COVER S/SCR.SMR/T	HD8867/12					
40		242212625104	SWI POW 2P 12A 250V FASTON GP12H B						
		242212625106	SWI POW 2P 10A 250V FASTON 8500 B	HD8773/47					
41	0301.961	996530039604	STICKER FOR WATER HARDNESS TEST						
42	17001506	996530073635	BLK DRIP TRAY LOCKING RIGHT INSERT SMR/T						
43	17001507	996530073642	BLK DRIP TRAY LOCKING LEFT INSERT SMR/T						
44	17000674	996530073637	BLACK WATER DRAINAGE CONVEYOR SMR/B-T						
45		421944009411	BLK REED SUPPORT SMR	HD8773/47					
46	17800442	996530073661	2P.CONN.SENS.REED DUMP BOX CST UL ASSY.	HD8773/47					
47	12000895	996530007951	SCREW TSP TORX 10 3X10 PLAST.SS	HD8773/47					
48		421946005581	MANUAL SAE HD8773 SMR/TS GB	HD8773/47					
		421946005591	MANUAL SAE HD8773 SMR/TS FR	HD8773/47					



MINUTO CAPPUCINO



HD8763/01-06-09-11
 HD8763/18-19-21-31
 HD8773/47 HD8867/11-12

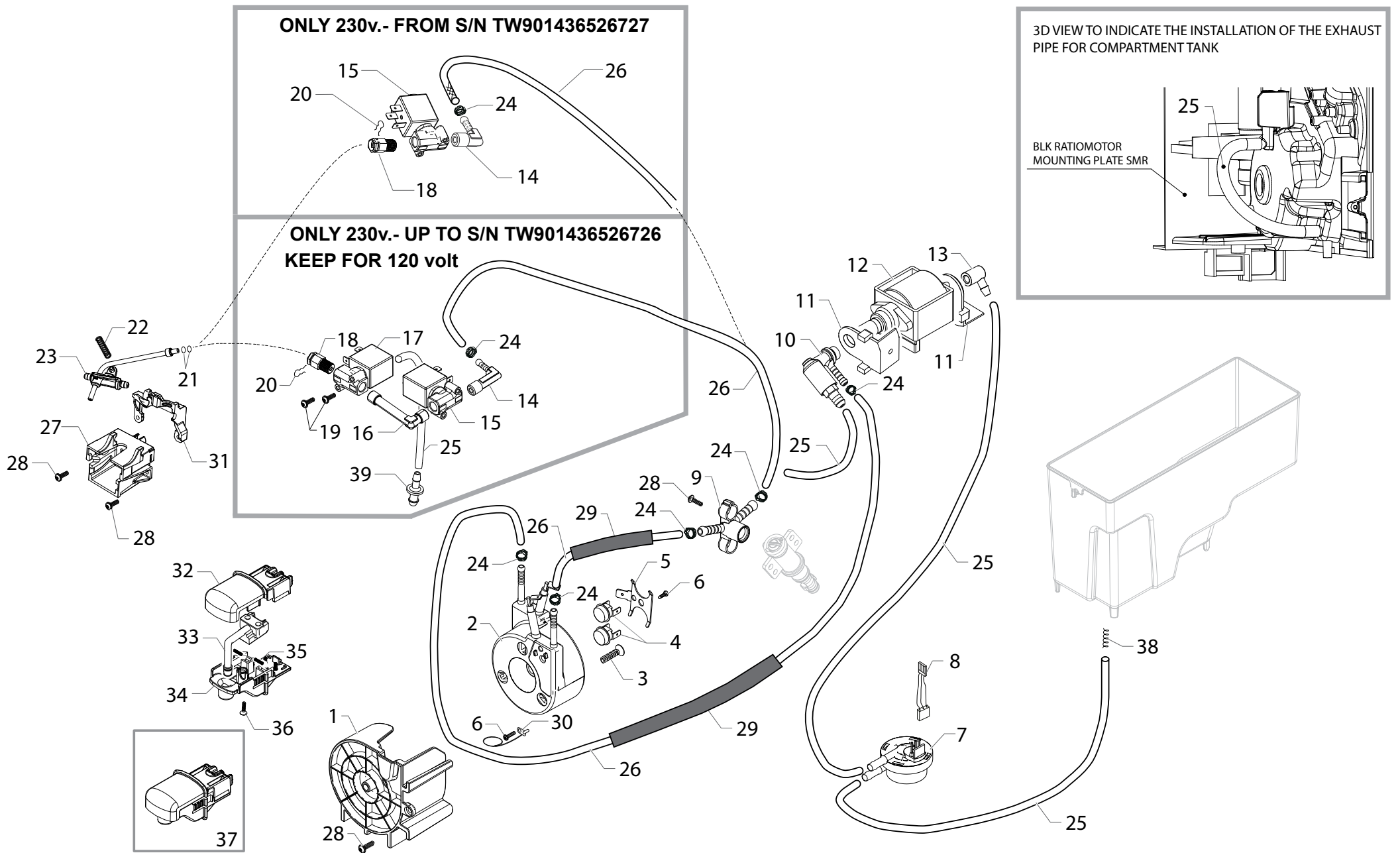


Cod.10004364-882876306470-6309010-10004418
 Cod.882876318150-6319010-6321100-6331010
 Cod.10004419-882886711010-6712010

POS	CODE	12NC	DESCRIPTION	NOTE	POS	CODE	12NC	DESCRIPTION	NOTE
01	11031248	996530073655	DISPLAY FRONT PANEL S/SCR.BLACK SMR/T	KEEP FOR 120v	29		421941292681	BLK CREAM ADJUSTMENT SLIDE SMR	HD8773/47
		421944035071	DISPLAY FRONT PANEL S/SCR.BLK V3 SMR/T		30		421941292691	BLK CREAM ADJUSTMENT SCREW SMR	HD8773/47
		421944039111	DISPLAY FRONT PANEL S/SCR.BLK V3 SMR/TL	HD8867/11-12	31	WGA4326038000	996530063583	SCREW TSP 3,5X16 INOX	HD8773/47
		421944010101	DISPLAY FRONT PANEL S/SCR.BLK V2 SMR/T	HD8773/47	32		421941293051	BLK CREAM ADJUSTMENT KNOB INSERT SMR	HD8773/47
02	17001270	996530073484	BLACK DISPLAY FRAME SMR		33		421941293031	BLK CREAM ADJUSTMENT BOARD SUPP.SMR	HD8773/47
03		421944025241	BLK FRONT PANEL MEMBRANE V3 SMR/H-P-T		34		421941293041	BLK CREAM ADJUSTMENT LEVER INSERT SMR	HD8773/47
04		421941300941	DISPLAY LCD 128X64 SMR		35		421944007481	BLK COF.DISPENS.LOWER FRONT PLATE SMR	HD8773/47
05	12000450	996530007819	SCREW TCBR TORX 10 3,5X12 PLAST.ZN-N		36		421944007491	WHT CREAM ADJUSTMENT SHAFT SMR	HD8773/47
06	11030953	996530073434	TRANSP.STAND-BY BUTTON S/SCR.SMR		37	140326661	996530013546	OR ORM 0040-20 BLACK EPDM	HD8773/47
07	17002075	996530073441	WHITE STAND-BY BUTTON LIGHT GUIDE SMR		38	126772518	996530011711	SS CREAM ADJUSTMENT SHAFT SPRING	HD8773/47
08		421944017321	BLK DISPLAY SUPPORT V2 SMR/H-P-T ASSY.		39		421941292331	BLK CREAM ADJUSTMENT KNOB SMR	HD8773/47
09	17001253	996530073473	BLK FRONT.PANEL MEMBRANE SUPP.SMR/H-P-T		40		421941300301	SELECTION DRIP-ESPRESSO BOARD SMR	HD8773/47
10		421940812951	KIT SPARES KYB - DISPLAY SMR 230V		41		421944017651	BLK COFFEE DISPENSER BODY SEAL SMR	
		421940813011	KIT SPARES KYB - DISPLAY SMR 120V	HD8773/47					
11	17000704	996530073485	BLACK DISPLAY KEYBOARD SUPPORT SMR						
12	17002122	996530073486	SS COFFEE DISPENS.FRONT PLATE SMR ASSY.	KEEP FOR 120v					
		421944031751	BA SS COF.DISPENS.FRONT PLATE SMR ASSY.						
		42194408261	M/BLK COF.DISPEN.MOBILE PART SMR ASSY.						
13		42194408261	M/BLK COF.DISPEN.MOBILE PART SMR ASSY.						
14	17002059	996530073432	MATT/BLACK COFFEE DISPENSER LID SMR						
15	17001022	996530073451	BLACK COFFEE DISPENSER BODY SMR						
16		421944017631	BLK COFFEE DISPENSER BODY LID V3 SMR						
17	17000955	996530073471	TRANS.BREW UNIT COF.OUTLET CONN.TUBE SMR						
18	17001849	996530073464	BLK BREW UNIT COFFEE OUTLET CONNECT.SMR						
19		421944008251	BLK ADH.AERSTOP SMR						
20		421944007441	BLK COFFEE DISPENSER LID V2 SMR	HD8773/47					
21		421944009911	M/BLK COF.DISPEN.MOBILE PART V2 SMR ASSY	HD8773/47					
22		421941292671	BLK COFFEE DISPENSER BODY V2 SMR	HD8773/47					
23		421941292661	BLK COFFEE DISPENSER BODY LID V2 SMR	HD8773/47					
24	229369000	996530031661	SILICONE TUBE 5X8 70SH L= 45 MM	HD8773/47					
25		421944010071	SS COF.DISPENS.FRONT PLATE V2 SMR ASSY.	HD8773/47					
26		421944009991	BLK COF.DISPEN.MOBILE PART SUPP.SMR ASSY	HD8773/47					
27		NOT AVAILABLE	SS COF.DISPEN.LOWER FRON.PLATE COVER SMR	SEE POS. 26					
28		421941302991	CHROM.CREAM ADJUSTMENT LEVER SMR	HD8773/47					



MINUTO CAPPUCINO



HD8763/01-06-09-11
 HD8763/18-19-21-31
 HD8773/47 HD8867/11-12

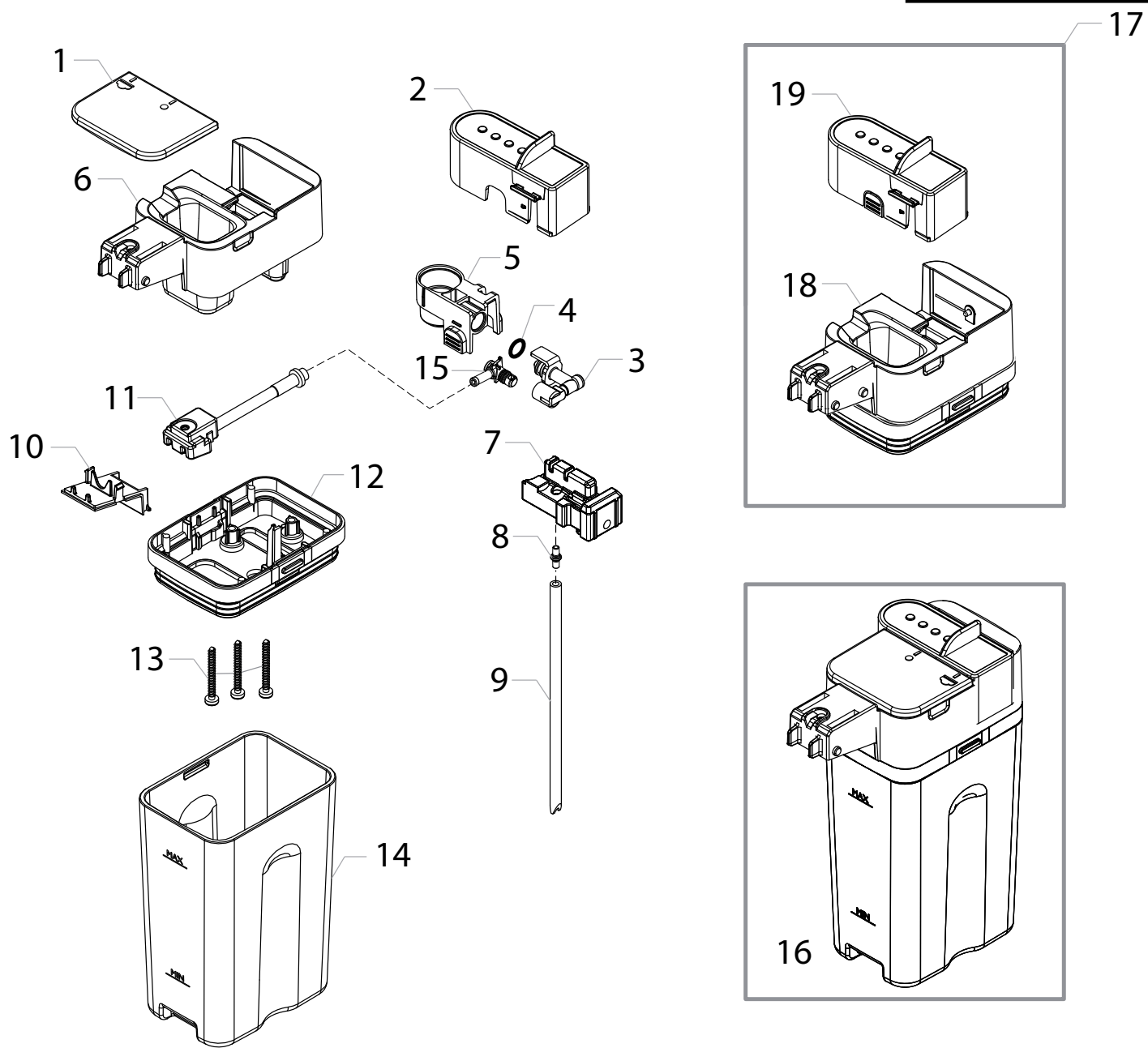


Cod.10004364-882876306470-6309010-10004418
 Cod.882876318150-6319010-6321100-6331010
 Cod.10004419-882886711010-6712010

POS	CODE	12NC	DESCRIPTION	NOTE	POS	CODE	12NC	DESCRIPTION	NOTE
01		421944040831	BLK SLIM TUB. BOILER SUPPORT V2 SMR		24	12000892	996530007947	OETIKER CLAMP D=9,5 16700004	
02	17000346	996530068751	HP/SLIM TUB. BOILER ASSY.	230V-1900W	25	JS01.022	996530057357	SILICONE TUBE 5X10 60SH	IN ROLL
	11023153	996530007586	SLIM TUB. BOILER 1300W 120V ASSY.	120V 1300W	26	16000380	996530009505	5X8,9 SILICONE TUBE	IN ROLL
03	12001280	996530008024	SCREW TSP TORX 10 5X20 PLAST.ZN-B		27		421944008431	BLK CARAFE INSERT BODY SMR/T	
	12001369	996530008039	SCREW TSP TORX 10 5X35 PLAST.SS		28	12000450	996530007819	SCREW TCB TORX 10 3,5X12 PLAST.ZN-B	
04	12001033	996530007973	THERMOSTAT ONE SHOT 190°		29	16000540	996530009523	TRANSPAR. 11X12,8 SILICONE TUBE	IN ROLL
05	11001751	996530000997	TUB. BOILER V3 UPPER THERM. FIXING SPRING		30	17800628	996530073428	TEMPERATURE SENSOR NTC UL L=550MM	
06	12001715	996530069758	SCREW TCB TORX 20 M4X8 AUTOFORMING ZN-B		31		421944008851	BLK CARAFE GRAFT BODY INSERT SMR/T	
07	NV99.099	996530059843	TURBINE D=1,2 932-8521/00 ASSY.		32		421944009041	M/BLK UPPER BODY HOT WATER DISP. SMR/T	
08	17800686	996530073488	3POLES CONNECTOR FLOWMETER SMR UL		33	17001215	996530069842	BLACK HOT WATER DISPENSER TUBE NPR/T	
09	17000727	996530073427	BLACK CONNECTOR FOR PIN BOILER SMR		34		421944009011	BLK LOWER BODY HOT WATER DISPENS. SMR/T	
10	11004689	996530002484	TEA/BRASS SAFETY VALVE 16-18 BAR ASSY.		35	11005395	996530002873	STEEL MILK CONTAINER SUPPORT SPRING P124	
11	149205850	996530018056	BLACK TYPE ULKA PUMP W/BEVEL SUPPORT		36	129913902	996530013164	SCREW TCB TORX 10 3X12 PLAST.ZN-B	
12	12000140	996530007753	ULKA PUMP EP5/S GW	230V-50HZ	37		421941306191	BLK HOT WATER DISPENSER SMR/T ASSY.	
	12000142	996530007754	ULKA PUMP EAP5/S 120V-60HZ	120V-60HZ	38	0701.081	996530073439	SPRING FOR TUBE PRODUCT 1	
13	11002149	996530001186	BLACK PUMP OUTLET 90° CONNECTOR P0049/A		39	17001060	996530073636	BLACK WATER DRAINAGE CONNECTOR SMR/B-T	KEEP FOR 120V
14	17001269	996530070397	L-F/BRASS 90° CONNECT. FOR FAUCET EV. NPR/T	KEEP FOR 120v				FOR 230V - UP TO S/N TW901436526726	
	11024469	996530067632	L-F/BRASS CONNECT. FOR BOILER AURA				421941300801	HP/SLIM TUB. BOILER SMR 1900W 230V ASSY.	COMPLETE
			FOR 230V - FROM S/N TW901436526727				421944010421	SLIM TUB. BOILER SMR 1300W 120V ASSY.	COMPLETE
15	11024038	996530067667	BRASS 2WAY EV 21JN1RRV20-XT+LBV05024CU	KEEP FOR 120v					
		421944029331	2WAY EV OT57 G1/8F. X G1/8F. 24V DC 10W-B						
			FOR 230V - FROM S/N TW901436526727						
16	11031400	996530073514	L-F/BRASS 90° CONNECTOR V2 FOR FAUCET EV.	KEEP FOR 120v					
			FOR 230V - UP TO S/N TW901436526726						
17	11024039	996530067613	3WAY EV OT57 (31JN1XRV20-SXT+LBV05024CU)	KEEP FOR 120v					
			FOR 230V - UP TO S/N TW901436526726						
18	11027572	996530072695	L-F/BRASS CONNECTOR 1/8" FOR TUBE D=4						
19	129823802	996530013077	TCB SCREW M4X8 UNI 7687 ZNP						
20	9011.144	996530048885	SS FORK FOR TUBE D=4						
21	140328059	996530013564	OR 2015 SILICONE PTFE/FDA						
22	17000006	996530009559	TWO WAY TEFLON TUBES SUPPORT SPRING MYB9						
23		421944009801	WHT PREFORM. TEFLON TUBE SUPP. SMR/T ASSY.	KEEP FOR 120v					
		421944029721	WHT PREFORM. TEFLON TUBE SUP. 145 SMR/T AS						
			FOR 230V - FROM S/N TW901436526727						



MINUTO CAPPUCINO



HD8763/01-06-09-11
 HD8763/18-19-21-31
 HD8773/47 HD8867/11-12

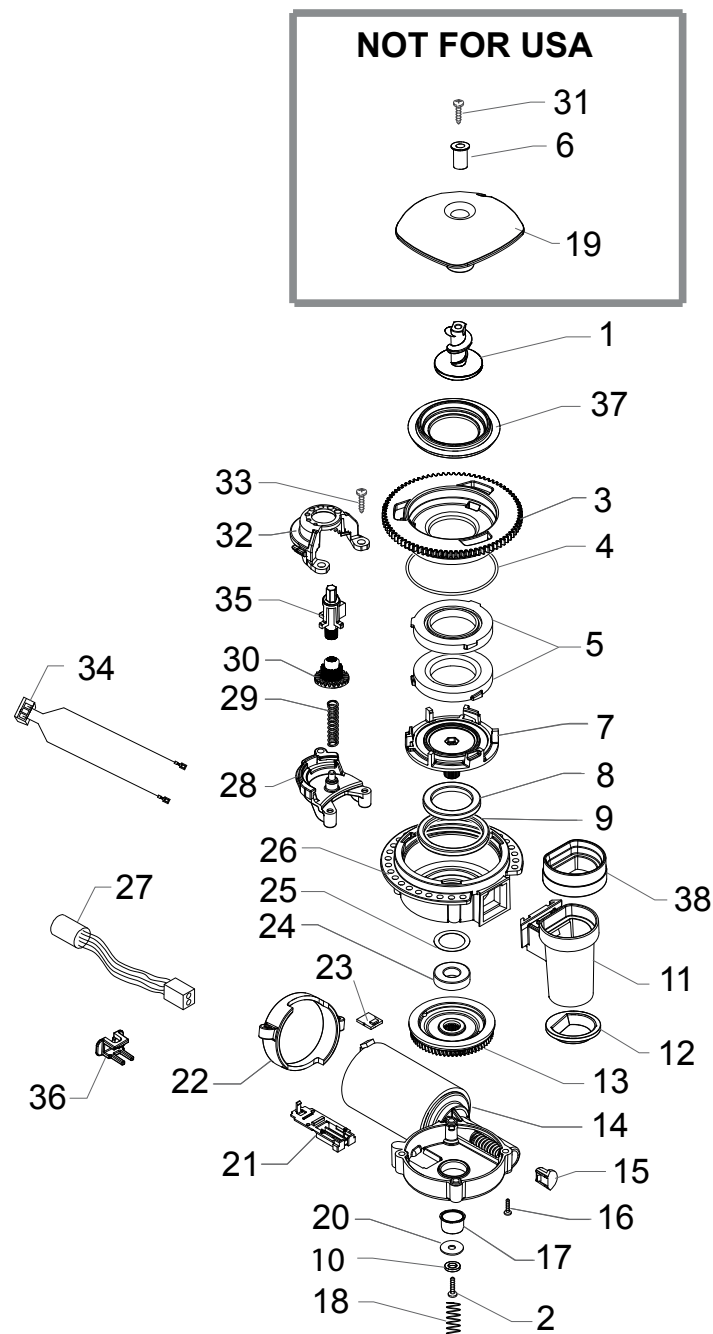


Cod.10004364-882876306470-6309010-10004418
 Cod.882876318150-6319010-6321100-6331010
 Cod.10004419-882886711010-6712010

POS	CODE	12NC	DESCRIPTION	NOTE	POS	CODE	12NC	DESCRIPTION	NOTE
01		421944007561	BLK CARAFE COVER PLUG SMR/T						
02	17002208	996530073643	MATT/BLK CARAFE CAPPUC.COVER SMR/T UP TO S/N TW901430450081						
		NOT AVAILABLE	FROM S/N TW901430450082	SEE POS. 19					
03		421944035641	BLK CARAF.OUT.STEAM CON.D1,3 V2 SMR/T AS						
04	NM01.028	996530059392	O-RING 106 SILICONE						
05	17001985	996530073573	BLACK CARAFE CAPPUC.CASING HGO/T						
06		NOT AVAILABLE	BLACK UPPER COVER PART CARAFE SMR/T UP TO S/N TW901430450081	SEE					
POS. 17		NOT AVAILABLE	FROM S/N TW901430450082	SEE POS. 18					
07	17002052	996530073606	BLK CARAFE MILK INLET BODY HGO/T UP TO S/N TW901430450081						
		NOT AVAILABLE	FROM S/N TW901430450082	SEE POS. 19					
08	17001362	996530068626	BLK MILK INTAKE TUBE CONNECT.INS.V2 RYL						
09	11012814	996530067584	SILICONE TUBE 3,5X6 L=140 MM						
10		421944030721	BLK CARAF.REAR COVER INSERT V2 NOR NPR/T						
11	17002211	996530073579	BLACK CARAFE MILK DISPENSER TUBE SMR/T						
12		421944007641	BLK CARAFE LOWER COVER PART SMR/T UP TO S/N TW901430450081						
		NOT AVAILABLE	FROM S/N TW901430450082	SEE POS. 18					
13	12000897	996530007953	SCREW TCB TORX 10 3,5X20 PLAST.SS						
14		421944032881	TRANSP.D/GREY PH-11514 CARAFE V2 HGO/T						
15		421944006961	BLK CARAFE STEAM INPUT CONN.SMR/T ASSY.						
16		421944029451	TRANSP/BLK GEN.CARAFE SLID.SMR/T ASSY.						
17		421940813181	KIT SPARES BLK UPPER COV.PAR.CARAF.SMR/T UP TO S/N. TW901430450081						
18		421941307041	KIT SPARES BLK UPP.COV.SERVO CAR.SMR/T FROM S/N. TW901430450082						
19		421941307191	KIT SPAR.BLK CAP.COV.SERVO CAR.SMR/T AS FROM S/N. TW901430450082						



MINUTO CAPPUCINO



Saeco
INTERNATIONAL GROUP

HD8763/01-06-09-11
HD8763/18-19-21-31
HD8773/47 HD8867/11-12



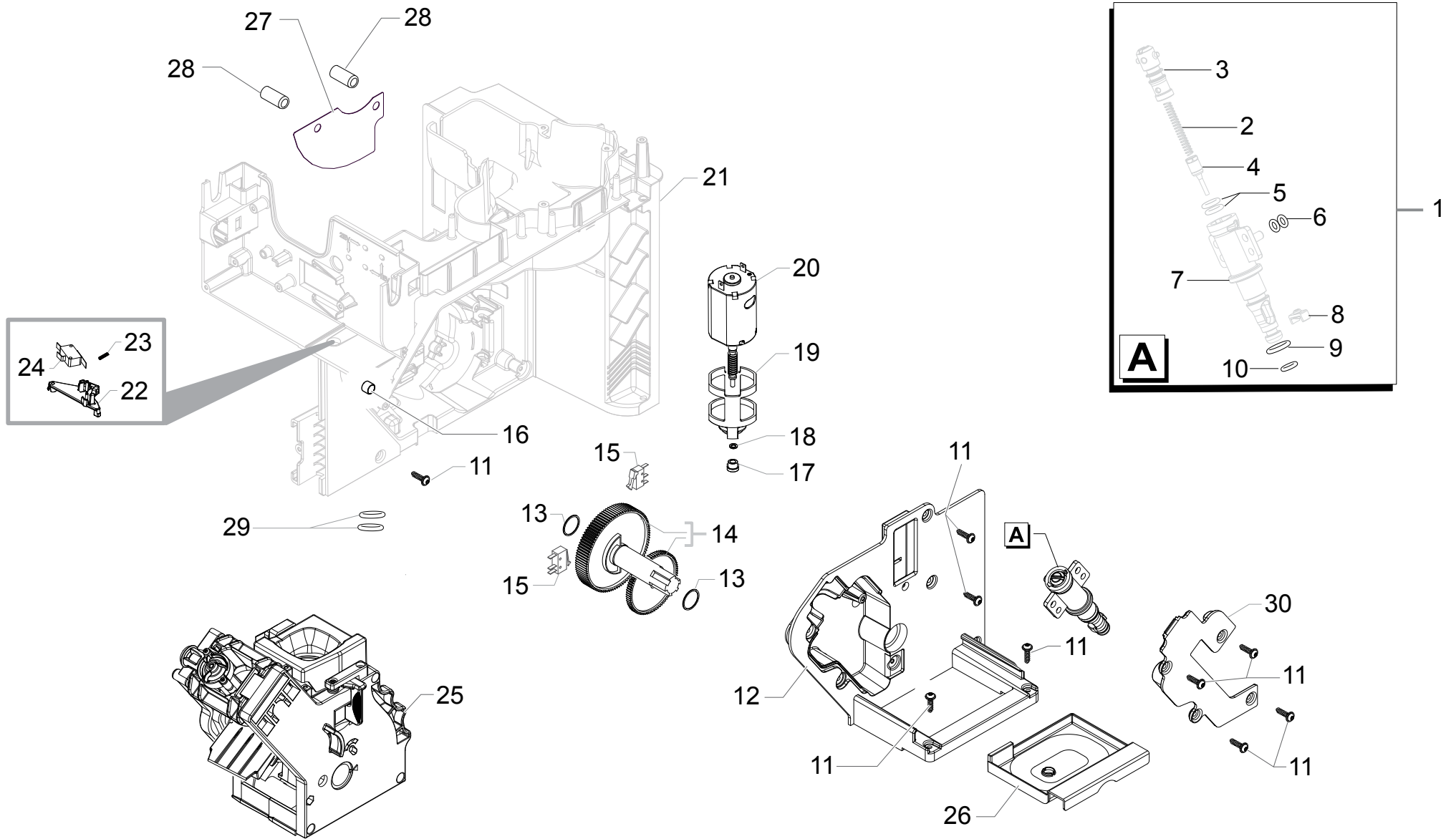
Cod.10004364-882876306470-6309010-10004418
Cod.882876318150-6319010-6321100-6331010
Cod.10004419-882886711010-6712010

POS	CODE	12NC	DESCRIPTION	NOTE	POS	CODE	12NC	DESCRIPTION	NOTE
01	11010031	996530005586	TEA/ZAMA INCREASE SCREW GRINDER		37		421941085872	COFFEE GRINDER SEAL P119 GRY 7035	
02	129574802	996530012928	SCREW TCB TORX 20 M4X30 ZN-B		38	145854360	996530015958	BLK GROUND COFFEE CONT.UPPER SEAL SMART1	
03	149198250	996530017951	BLK UPPER COFFEEGRINDER GRINDER SUPPORT			17001502	996530073445	GEN.MOTOR COF.GRINDER SMR/H-P-T ASS	230V
04	140328960	996530013577	OR ORM 0530-15 NBR FDA				421944010431	GEN.MOTOR COF.GRINDER SMR/H-P-T 120V ASS	120V
05	146520100	996530016342	BAKED CLAY GRINDER 48X28						
06	11012466	996530006412	BRASS BUSH BEAN CONT.FINGER PROTEC.P0057						
07	149198350	996530017952	BLK LOWER COFFEEGRINDER GRINDER SUPPORT						
08	123030300	996530011183	AXIAL BEARING EKKO 342.35252						
09	140360500	996530013597	FELT RING 45,4X39,4X4						
10	128310402	996530012341	GALV.WASHER UNI 8842 A4						
11	11026355	996530068049	BLK GROUND COFF.OUTLET CONVEYOR V4 ASSY.						
12	11030459	996530072511	GRY GROUND COFFEE CONT.LOWER SEAL SMART1						
13	226000300	996530029609	GEAR SX Z=38 FOR GRINDER MOTION ASSY.						
14	11000513	996530000317	MOTOR COFFEEGRINDER V3.1 230V ASSY.	230V					
		421941305001	MOTOR COFFEEGRINDER V3.1 120V ASSY.	120V					
15	149214800	996530018139	MC V3 MOD=1,25 WORM SCREW CENTRING CAP						
16	129661702	996530012992	SCREW TCB TORX 3,5X30 PLAST.ZN-B						
17	11002873	996530001389	INSULATOR BUSH FOR GRINDER MOTOR P124						
18	11000597	996530000376	STEEL COF.GRINDER SUPPORT SPRING P124						
19	17001008	996530073467	TRANS.BEAN CONTAIN.FINGER PROTECT.SMR UL						
20	128381902	996530012375	STEEL FLAT WASHER DI=4,3 DE=14 SP=1,5						
21	149199050	996530017963	BLK SENSOR SUPPORT FOR COF.GRINDER MOTOR						
22	11000194	996530000115	BLACK COFFEEGRINDER MOTOR SUPPORT P124						
23	181540900	996530022784	ELECTR.BOARD WITH SENSOR HAL506 SF-K						
24	123030200	996530011182	RADIAL BEARING 61900.2RS1						
25	128381800	996530012374	STEEL CRINKLE WASHER 21,8X14X0,25						
26	142905450	996530015258	BLK UPPER BODY WITH COFFEE GROUND OUTLET						
27	17800687	996530073453	3POLES CONNECTOR MC SENSOR SMR UL						
28	11002613	996530001314	LOWER COFFEEGRINDER GEAR SUPPORT P124						
29	11002572	996530001308	COFFEEGRINDER REGULATION SPRING P124						
30	11003784	996530001907	COFFEE GRINDING ADJUSTMENT GEAR P0049						
31	U043.004	996530061808	ZN-B TCB SCREW M4X16						
32	11002508	996530001296	UPPER COFFEEGRINDER GEAR SUPPORT P124						
33	129914002	996530013165	SCREW TCB TORX 10 3,5X16 PLAST.ZN-B						
34	17800688	996530073454	2POLES CONNET.COFFEEGRINDER MOTOR SMR UL						
35		421944025161	YLW BEAN COFFEE GRINDER INSERT SMR						
36	17001921	996530072477	BLK WIRING FIX INSERT FOR GRINDER BOARD						

Saeco
INTERNATIONAL GROUP

MINUTO CAPPUCCINO

TABLE 5/7



HD8763/01-06-09-11
 HD8763/18-19-21-31
 HD8773/47 HD8867/11-12



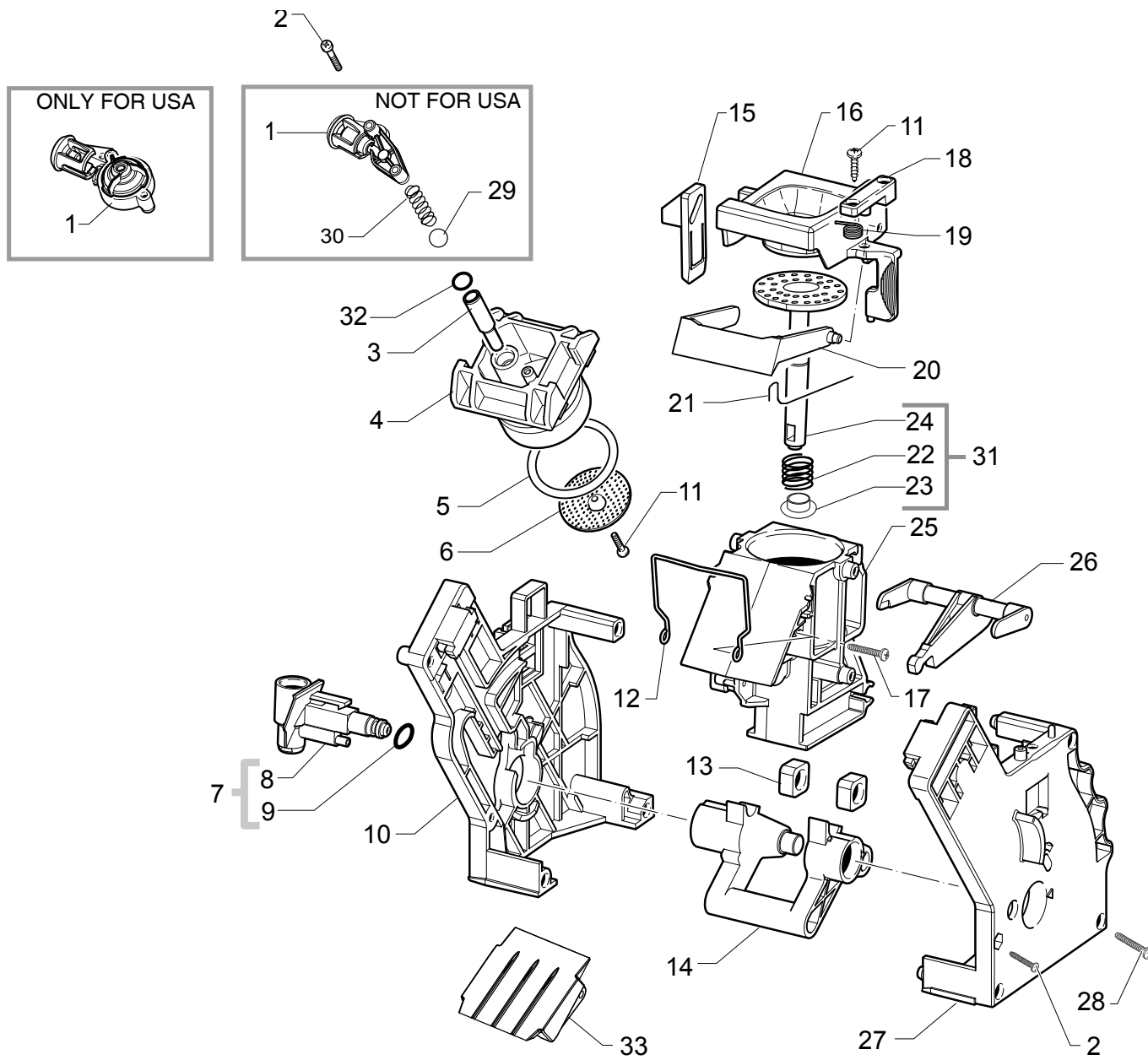
Cod.10004364-882876306470-6309010-10004418
 Cod.882876318150-6319010-6321100-6331010
 Cod.10004419-882886711010-6712010

POS	CODE	12NC	DESCRIPTION	NOTE	POS	CODE	12NC	DESCRIPTION	NOTE
01	11005060	996530002717	PIN V2 FOR BOILER P119 ASSY. FOR 230V - UP TO S/N TW901436526726	KEEP FOR 120v					
		421946011491	BLK PIN FOR BOILER VALVE 4BAR ASSY. FOR 230V - FROM S/N TW901436526727						
02		NOT AVAILABLE	SS SPRING FOR PIN						
03		NOT AVAILABLE	BLACK CAP V2 FOR PIN BOILER P119						
04		NOT AVAILABLE	TEA/BRASS PISTON L=20,9 ASSY.						
05		NOT AVAILABLE	OR ORM 0060-20 SILICONE PTFE/FDA						
06	140328059	996530013564	OR 2015 SILICONE PTFE/FDA						
07		NOT AVAILABLE	NAT.PIN V2 FOR BOILER P119						
08		NOT AVAILABLE	NATURAL CURSOR V2 FOR BOILER P119						
09	NM01.035	996530059399	OR ORM 0090-20 SILICONE						
10	NM01.057	996530059419	OR ORM 0050-20 IN SILICONE						
11	12001728	996530070321	SCREW TCBR TORX 10 3,5X12 PLAST.SS						
12	17001839	996530073444	BLK RATIOMOT.MOUNTING PLATE COVER SMR						
13	9161.132	996530050569	MYLAR WASHER FOR RATIOMOTOR						
14	20000900	996530009913	SPARES KIT GEARS FOR RATIOMOTOR V2						
15	NE05.038	996530058869	MICROSWITCH SAIA XCG5-81-P5						
16	9161.111	996530050555	MAGNET FOR FLOAT SUPERAUT.						
17	9121.046	996530049898	BRONZE SINTERED BUSH FOR MOTOR RATIOMOT.						
18	148380200	996530017424	BAKELIZZATE WASHER D=5,5						
19	9121.044	996530049896	ANTIVIBRATION FOR MOTOR						
20	11005214	996530002796	MOTOR FOR RATIOMOTOR P124 ASSY.						
21		NOT AVAILABLE	BLK RATIOMOTOR MOUNTING PLATE SMRG ASSY						
22	17001508	996530073469	BLACK MICRO COMPENSATOR SMR						
23		421944006861	SPRING FOR MICRO COMPENSATOR SMR						
24	12001890	996530073209	MICROSWITCH XG/V3D						
25		421944036881	BLK BREW UNIT 8GR.8BAR V2 SMR FOR 230V - UP TO S/N TW901436526726						
		421944028471	BLK BREW UNIT 8GR.5BAR XS4 FOR 230V - FROM S/N TW901436526727						
		421944036891	BLK BREW UNIT 8GR.8BAR V2 SBS SMR	HD8773/47 (120V)					
26		421944008911	BLK BREW UNIT DRAWER COFFEE SMR						
27		421944004861	NOMEX INSULATE PROTECTION W=0,30 SMR	HD8773/47					
28		421944010451	SILICONE TUBE 3,5X6 L= 15 MM	HD8773/47					
29	DM0041/081	996530054245	O-RING 112 IN EPDM 70 SH						
30	17000730	996530074054	BLK BOILER SEAT PIN COVER SMR						



MINUTO CAPPUCINO

TABLE 6/7



HD8763/01-06-09-11
 HD8763/18-19-21-31
 HD8773/47 HD8867/11-12



Cod.10004364-882876306470-6309010-10004418
 Cod.882876318150-6319010-6321100-6331010
 Cod.10004419-882886711010-6712010

POS	CODE	12NC	DESCRIPTION	NOTE	POS	CODE	12NC	DESCRIPTION	NOTE
01	11009362	996530005415	BLK COF.OUTLET SLEEVE BREW UNIT S0053 ASS				421944036881	BLK BREW UNIT 8GR.8BAR V2 SMR	
	11002154	996530001192	SBS VALVE P124 ASSY.	HD8773/47				FOR 230V - UP TO S/N TW901436526726	
02	12000550	996530007838	SCREW TCB TORX 10 3X25 PLAST.SS				421944028471	BLK BREW UNIT 8GR.5BAR XS4	
03	11009276	996530005372	BLK COUNTER PISTON TUBE BREW UNIT S0053					FOR 230V - FROM S/N TW901436526727	
04	11001840	996530001046	BLACK COUNTER PISTON BREW UNIT 8GR.P124				421944036891	BLK BREW UNIT 8GR.8BAR V2 SBS SMR	HD8773/47 (120v)
05	NM01.044	996530059406	OR ORM 0320-40 SILICONE PTFE/FDA						
06	9161.268	996530050709	PERCOLATOR DE=35,8 ELFO						
07	20000440	996530009825	BLACK WATER INLET SLEEVE BREW UNIT ASSY.						
08	9161.064.050	996530050488	BLACK WATER INLET SLEEVE BREW UNIT ROYAL						
09	NM02.007	996530059441	OR 2025 IN TERMOIL						
10	9161.375.050	996530050832	BLACK BREW UNIT REAR PLATE SMART						
11	12000895	996530007951	SCREW TSP TORX 10 3X10 PLAST.SS						
12	11001556	996530000898	SS BREW UNIT SPRING H=49 SMART						
13	9161.094.150	996530050541	GREY BREW UNIT DRILLED BLOCK						
14	9161.066.050	996530050492	BLACK BREW UNIT ELBOW SHAFT M5000						
15	9161.373.050	996530050827	BLACK BREW UNIT COUPLING PLATE SMART						
16	149261350	996530018241	BLACK HOPPER DOSER BREW UNIT SMART1						
17	129912521	996530013148	SCREW TCB TORX 10 3,5X14 PLAST.SS						
18	9161.374.050	996530050829	BLK BREWUNIT HOPPER BLOCKING PLATE SMART						
19	9161.378	996530050838	SS HOPPER SPRING FOR BREW UNIT SMART						
20	11004161	996530002096	BLACK SCRAPER FOR BREW UNIT M5000						
21	9161.046	996530050455	SS SCRAPER SPRING FOR BREW UNIT						
22	9161.198	996530050627	SS.8GR.BREW UNIT PISTON SPRING						
23	9161.191	996530050618	WHITE 8GR.-12GR.BREW UNIT PISTON BUSH						
24		421944025621	BLK BREW UNIT INTEGR.PISTON 8GR.V3 ASSY.						
25	11003075	421944014611	BLK COF.CONTAIN.BREW UNIT V2 M5000 ASSY.						
26	11003078	996530001452	BLACK CONNECTING ROD BREW UNIT 8GR.						
27	11005920	996530003228	BLACK BREW UNIT FRONT PLATE S/SCR.SMART						
28	12000897	996530007953	SCREW TCB TORX 10 3,5X20 PLAST.SS						
29		421944034451	BOROSILICATE SPHERE D.5 MM						
30	9161.222	996530050657	SS.CONICAL SPRING						
	11012095	996530006305	SS BREW UNIT CONTERPISTON SPRING S0053						
31		421944029791	BLK BREW UNIT 8GR.INT.PISTON GEN.V3 ASSY						
32	140328761	996530013575	OR ORM 0060-15 TERMOIL						
33	7000737	996530073426	BLACK BREW UNIT CONVEYOR SLIDE L=56,3						



MINUTO CAPPUCINO