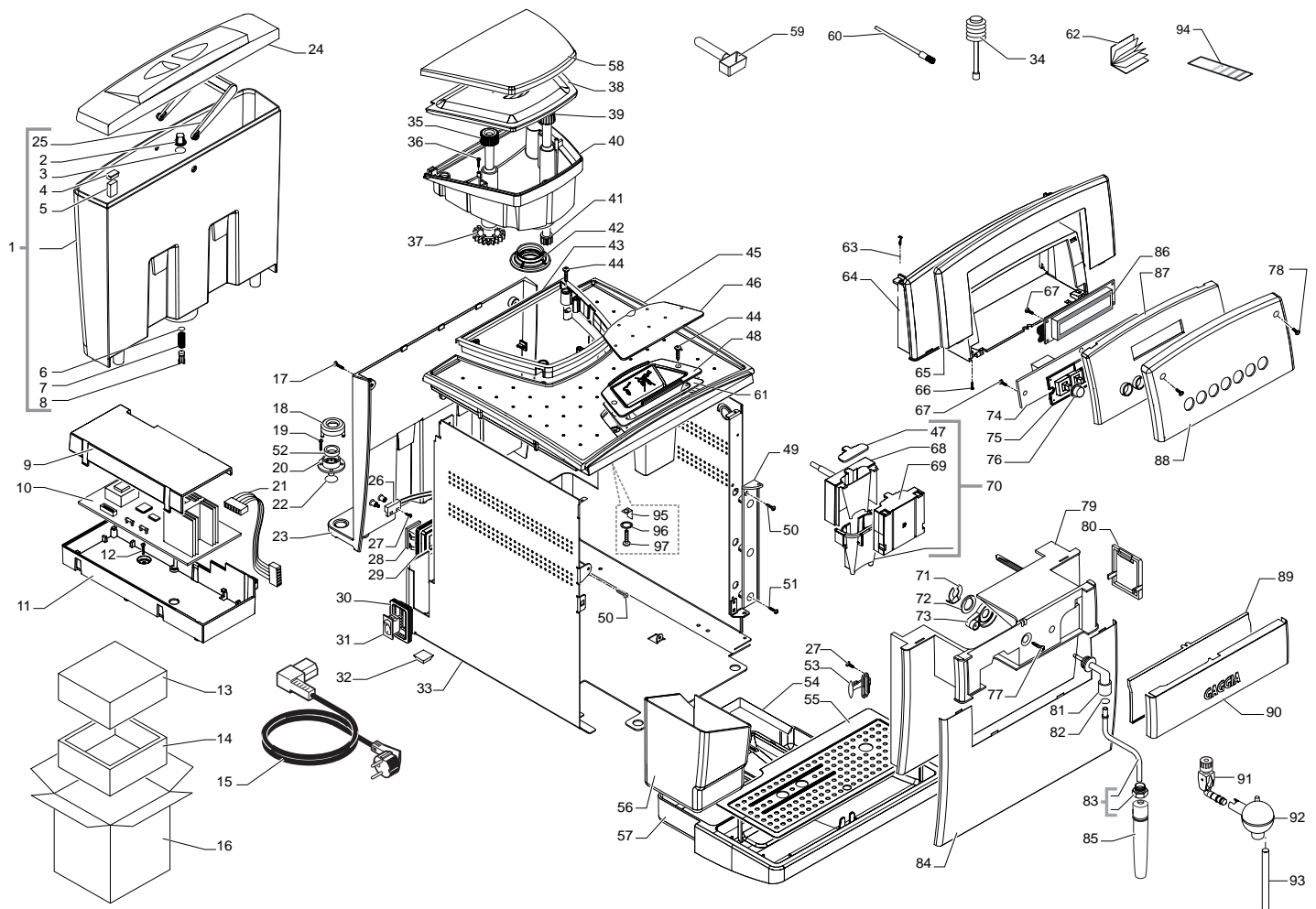


**GAGGIA** SUP 027 YDRO



Cod. 10001801-2-3-2380-2402-95

POS	CODE	DESCRIPTION	NOTE	POS	CODE	DESCRIPTION	NOTE
01	222693300	WATER CONTAIN.AS.NATURAL GREY G6000		32	147623150	BLACK SQUARE ADHESIVE FOOT 5023	
02	224640200	EXTERNAL FILTER FOR WATER CONTAINER ASSY	WITH PART.N°03	33	11006543	TITANIUM OFFICE FRAME - SILVER	
03	140328461	EPDM OR METRIC 0190-10		34	147700100	LOADING PUMP DIAMETER 14 MM	120V
04	149214359	BLACK CAP FOR FLOATING SPACE LAV.		35	227721650	GRIND.ADJUSTM.BLACK KNOB G100 S/SCR	
05	9161.112.150	LEVEL FLOAT GREY		36	U140.014	PANELVIT TCB 3,5X16 DIN 7505 B GAL	
06	140324362	OR METRIC 0060-30 IN SILICONE		37	146000850	GEAR COFF. GRIND. ADJUSTMENT COMBI	
07	126764718	SPRING FOR WATER CONTAINER VALVE		38	142816279	LID BLUE SAFETY AROM.CAF.CONT.G6000	
08	147660562	GREY WATER VALVE CONTAINER PISTON		39	227721550	COF.DOSE ADJUS.BLACK KNOB G100 S/S	
09	147757100	ELECTRONICS BOARD PROTECTION G6000		40	8314007000	COFFEE CONTAINER	
10	8314020000	ELECTR.C BASE UNIT M-L.CPU G6000 TI	230V-WITH PART.N°21	41	146001950	COFFEE DOSE ADJ.GEAR BLACK SMART	
	8314020010	ELECTR.C BASE UNIT M-L.CPU TITAN.PR	120V-WITH PART.N°21	42	145852360	BEAN COFFEE CONTAINER SEAL SMART	
	11013510	AS.CPU+FLAT G6000 DIG/SV. V1	UP TO S/N. 9008GA40115459 (BOILER TEFLON TUBE)	43	227751737	BEAN CONTAIN.COF.PROTECT.G6000 SILV	
	11013511	AS.CPU+FLAT G6000 DIG/SV. V1	230V-WITH PART.N°21 (BOILER REINF.SILTUBE)	44	129570602	SCREW TCB 3X8 UNI 8112 ZNP	
			120V-WITH PART.N°21 (BOILER REINF.SILTUBE)	45	282800737	CUPWARMER LID AS.G6000 SILVER	WITH PART.N°95-96-97
11	149202050	SUPPORT ELECTRONIC CARD G6000 BLACK		46	222802587	GROUND COFF.CONT.LID G6000 S/STEEL	
12	129670202	TCB PANELVIT SCREW 3,5X16 TESTA D=8 ZNP		47	149213850	CAP COF.DISPEN.HEAD SUP.BLACK G6000	
13	175898300	UPPER TECHMATE INSERT FOR BOX G6000		48	149261450	HOPPER BLACK GROUND COF.DOSER G6000	
14	175898400	LOWER TECHMATE INSERT FOR BOX G6000		49	222630437	DOOR HINGE G6000 SILVER	
15	183911050	POWER CABLE SCHUKO BLACK L=1200		50	129661204	SCREW PANELVIT TCB 3X16 DIN7505 BRU	
	183921950	POWER CABLE SJT3 USA BLACK UL L=1200		51	129740202	SCREW TSP PH/TT 4X10 UNI 8113 ZNP	
	183970350	BLACK POWER CABLE UK 3X1 H05VV-F L=1200		52	145842900	WATER CONTAIN.VALVE SEAL GACO DIM14	
	11004245	BLACK POWER CABLE BRAZIL W/CONNECT.L=1200		53	146313740	DISENGAGE LEVER GREY/SILVER DOOR SMART	
16	4314083000	PACKAGING BOX NEUTRA TITAN.PROF/OFFICE		54	229170450	SEALING SUPPORT AS.WATER DRIP TRAY	
17	129512904	SCREW TCB 2,9X12,7 DIN 7981 BURN		55	125743987	GRATE G6000 STAINLESS STEEL/SB	
18	0701.031.150	SEAL COVER GREY		56	8314014000	GROUNDS FUNNEL	
19	129535721	SCREW TSP TORX 10 3,5X9,5 SHEET SS		57	6314078000	SILVER 8401C DRAIN DRIP TUB	
20	0701.014.150	SEAL CONTAINER GREY		58	222765137	BEAN COFF.CONTAIN.LID G6000 SILVER	
21	283557200	FLAT CABLE		59	146680850	BLACK COFFEE MEASURE SMART	
22	140320461	OR ORM 0080-20 IN TERMOIL		60	127390100	BRUSH FOR CLEANING	
23	229184937	SILVER SUPPORT WATER CONTAINER G6000		61	145855060	SEAL HOPPER GROUND COFF.DOSER G6000	
24	222765037	SILVER WATER CONTAINER LID G6000		62	165896100	INSTRUCTIONS MANUAL GAGGIA TITANIUM	
25	146581300	WATER CONTAINER HANDLE G6000 GREY			15001281	INSTRUCTIONS MANUAL GAGGIA TITANIUM BRA	
26	0301.811	CONNECTOR 2 POLES LEVEL ASSY.			4314095000	ERRATA TITANIUM PROF.	
27	U109.028	SCREW AUT.TCB 2,9X9,5 DIN 7981 C			4314081000	ADDITIONAL INSTRUCTIONS TITAN PROF.	
28	NE13.013	CUP SOCKET EN 60320 C 13		63	129512503	SCREW TCB 2,9X9,5 DIN 7981 NICK	
29	149202150	SOCKET POW.CABL.SUPPORT BLACK G6000		64	229185237	FRONT PANEL SUPPORT G6000 SILVER	
30	149201950	SWITCH GENERAL SUPPORT BLACK G6000		65	127535621	PLATE FOR FRONT PANEL G6000 S.STEEL	
31	NE03.038	BIPOLAR SWITCH FUSIT C1250AR		66	129533202	SCREW TSPTORX T10 3,5X9,5 D7982 NI	
				67	129511803	SCREW TCB 2,9X6,4 DIN 7981 NICK	
				68	142855450	BLACK REAR COFF.DISPENSER COVER G6000	
				69	142855350	FRONT COF.DISPENS.COVER G6000 BLACK	


**GAGGIA® SUP 027 YDRO**

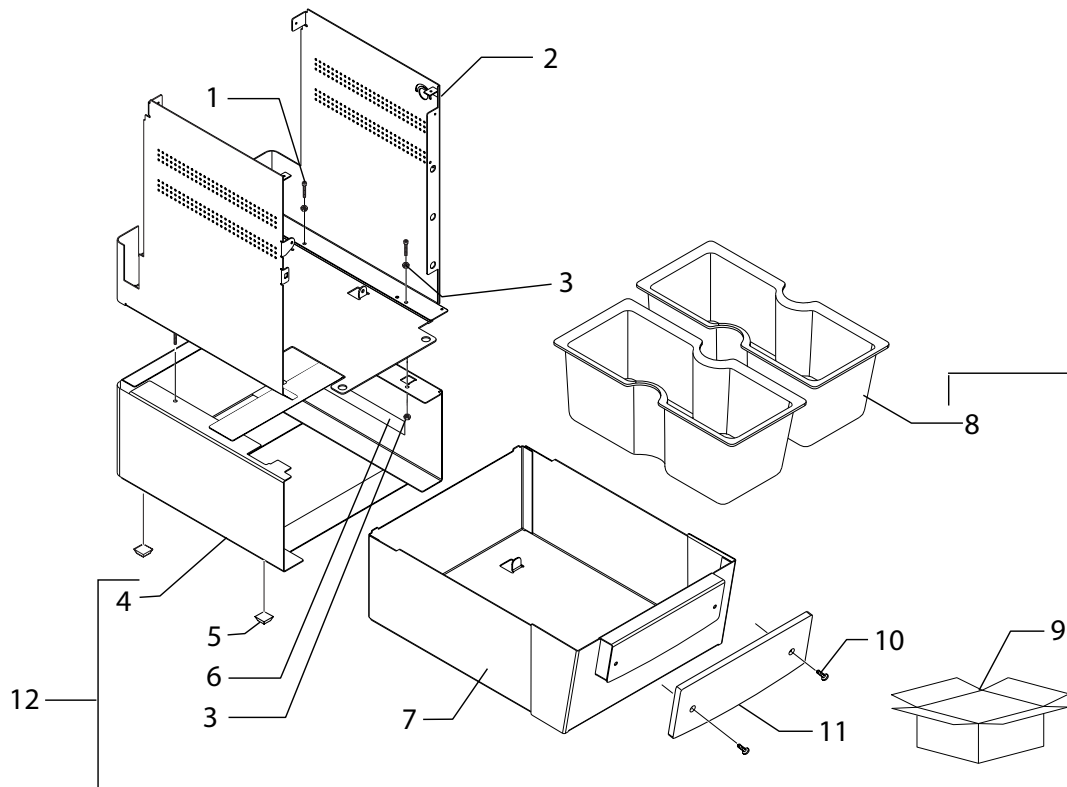
**Cod. 10001801-2-3-2380-2402-95**

POS	CODE	DESCRIPTION	NOTE	POS	CODE	DESCRIPTION	NOTE
70	223701304	COFFEE DISPENSER AS.G6000 BLACK					
	NF11.084	FOLK SPRING					
72	9161.384	SPACER FOR CONNECTION STEAM TUBE					
73	149196850	CONNECTOR STEAM SUPPORT G100 BLACK					
74	181555500	TERMINAL BOARD BUTTON G6000 DIG.R.S					
75	149252600	TOUCH PANEL 7 BUTTONS G6000					
76	229140808	BUTTON FOR G6000 CHROMIUM PLATED					
77	DI7981P3.5X13Z	SELF TAPPING GALV. SCREWPLAST					
78	129932321	TSPCEI SCREW 3,9X12 STAINLESS STEEL					
79	228983037	DOOR G6000 SILVER					
80	228983137	LATERAL DOOR G6000 SILVER					
81	11010762	TEA/BRASS 90°CONNECTOR STEAM TUBE G100					
82	NM02.007	OR 2025 TERMOIL					
83	229381808	CHROMATE STEAM TUBE G100 ASSY.					
84	127535521	LOWER PLATE FOR DOOR G6000 ST.STEEL					
85	227431321	SS/SS PANNARELLO G100 ASSY.					
86	192200500	20x2 LCD BLUE DISPLAY STN + FLAT					
87	11006651	KEYPAD MOUNT TIT.OFFICE SILVER/8401C					
88	144883200	TRANSPARENT FRONT PANEL G6000					
89	147573000	TRANSPLATE FOR LIGHT DIFFUSIVENESS					
90	127535421	UPPER PLATE FOR DOOR G6000 ST.STEEL					
91	227910750	BLACK 90°CONNECTOR CAPPUCCINATORE					
92	222520450	BLACK SPHERICAL CAPPUCCINATORE ASSY.					
93	149360400	TRANSPARENT SILCONE TUBE 3,5X6 IN ROLL					
94	0301.961	WATER HARDNESS TEST					
95	NE15.026	MALE TONGUE 45° 6,3 D.5,2					
96	128310404	WASHER UNI 8842 A4 BURNISHED					
97	129573202	SCREW TCB TORX 20 M4X8 AUTOFORMING ZN-B					

**GAGGIA®**
**GAGGIA TITANIUM OFFICE**

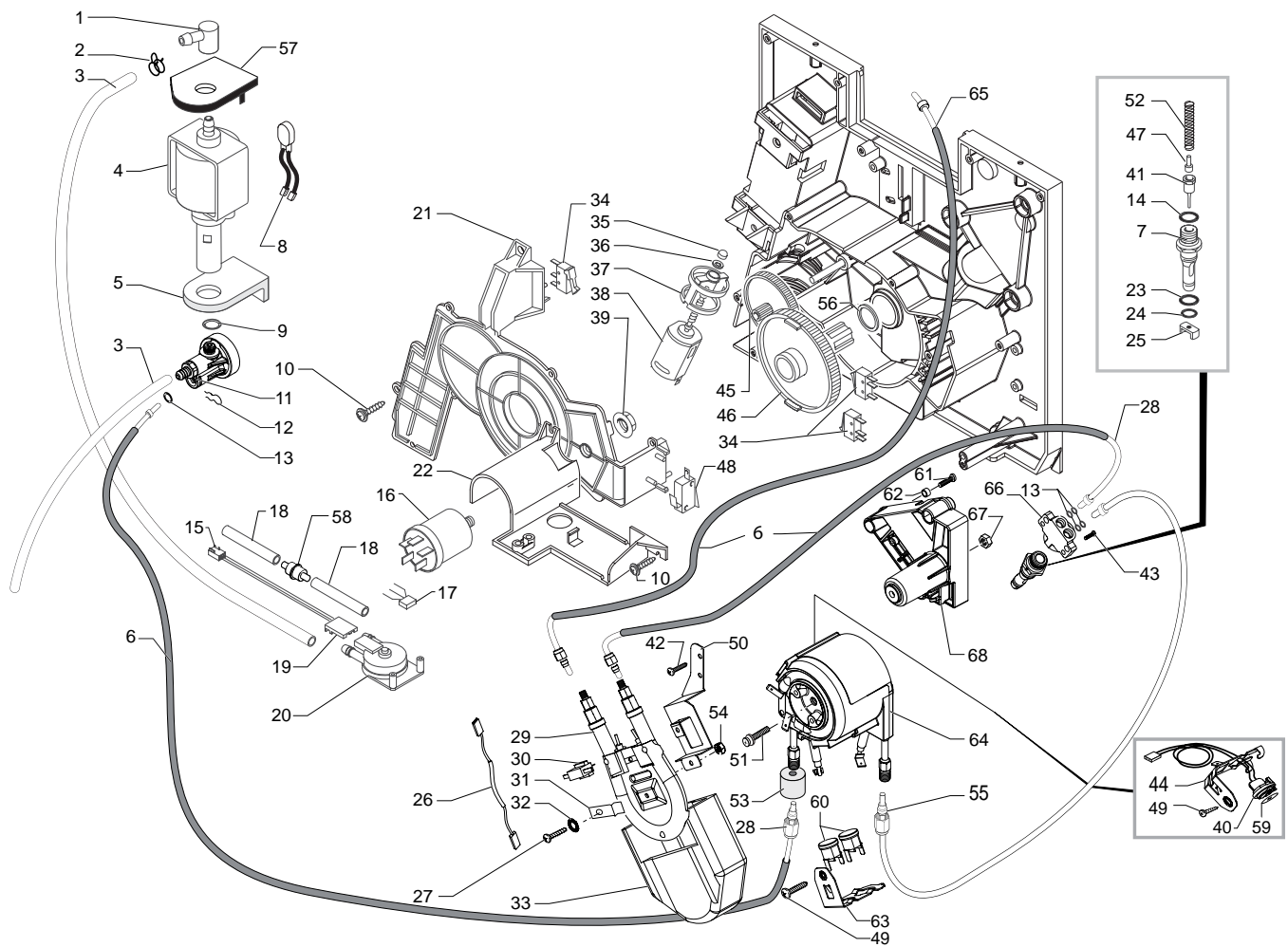
Rev. 02 - 10/03/09

TABLE 1b/5


**GAGGIA® SUP 027 YDRO**

**Cod. 10001801-2-3-2380-2402-95**

POS	CODE	DESCRIPTION	NOTE	POS	CODE	DESCRIPTION	NOTE
01	DI7986-3X16I	SCREWS M 3X16 ST.STEEL (DIN7985/UNI) SEE PART. N°33 TAB.1					
02							
03	UN7473-3Z	SELF-STOPPING M 3 GALVANIZED					
04	11006541	DRAWER BASE UNIT - SILVER					
05	147623150	SQUARE ADHESIVE FOOT 5023 BLACK					
06	DM2339/01	NASTRO ADES.3M 5423 UHMW-ROT.16,5MT.					
07	11006542	DRAWER - SILVER					
08	4314080000	RESERVOIR GROUNDS AND LIQUIDS					
09	4314082000	PACKAGING BOX ST. STEEL CASE					
10	UN5933-4X16I	SCREWS M 4X16 ST.STEEL					
11	4314069000	FRONT MASK					
12	11006652	TIT.OFFICE DRAWER FOR GROUNDS AND LIQ					

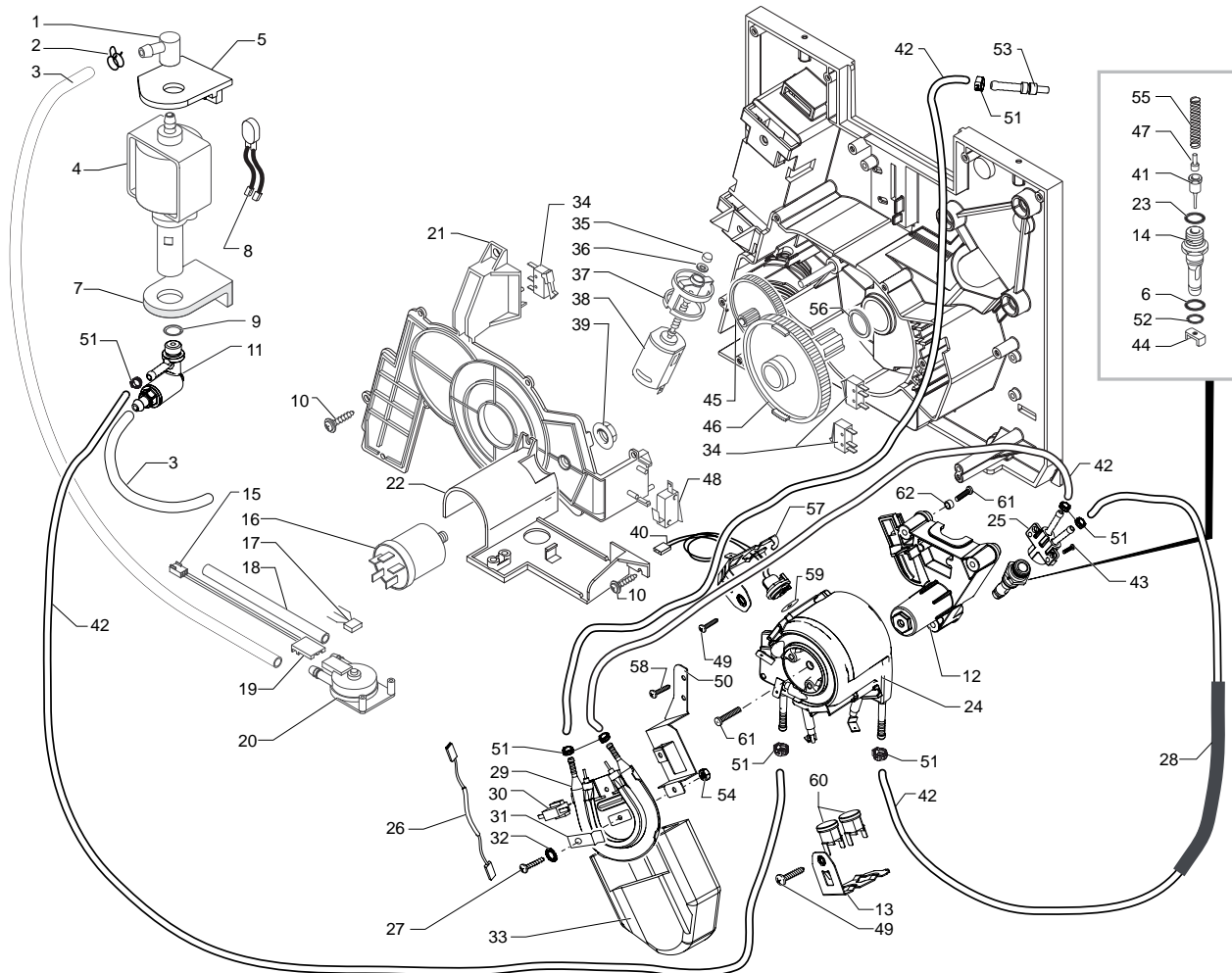


# GAGGIA® SUP 027 YDRO


**Cod. 10001801-2-3-2380-2402-95**

POS	CODE	DESCRIPTION	NOTE	POS	CODE	DESCRIPTION	NOTE
01	147920150	90°CONNECTOR PUMP INLET		37	9121.044	ANTIVIBRATION FOR MOTOR	
02	183420200	HARNES + THERMAL FUSE 141 DEG		38	286883758	GENER.MOTOR AS.M5000 (STD/V2)	230V
03	149360200	SILICONE TUBE 5X8 70SR	IN ROLL		286883755	GENER.MOTOR AS.M5000 (STD/V2)	120V
04	12000140	ULKA PUMP EP5/S GW	230V-50HZ	39	123453602	FLANGE NUT M8 TOOTHED BASE GALV.	
	12000131	ULKA PUMP EP5/S	120V-60HZ	40	288582300	SENSOR ELECT.BOARD WITH CONNECTOR AS.	
05	149185850	EATON PUMP SUPPORT MAGIC 4002012		41	11009019	TEA/BRASS PISTON L=20,9 ASSY.	
06	149361200	BLACK SILICONE TUBE 7,5X9,3	IN ROLL	42	129573402	SCREW TAPT M4X10 DIN 7985 GALV	
07	9011.100	PEG FOR VALVE IN PLASTIC		43	129910103	HI-LO TC SCREW 3,5X15 RIF.910189	
08	289203100	THERMAL PROTECTOR 120°C CABLES 140/340	230V	44	126838217	SENSOR FIXING SPRING	
	289204100	THERMAL PROTECTOR 120°C CAB.140/340	120V	45	9121.042	GEAR Z.12/90	
09	NM02.028	OR 2015 EPDM FDA		46	9121.069.150	GEAR Z=108 FOR MOUNTING PLATE M4000	
10	129670202	PANE. TCB SCREW 3,5X16 TESTA D=8 Z		47	11009013	TEA/BRASS PIN FOR PISTON L=10	
11	229452100	COMPENSATION AND SAFETY VALVE 16BAR AS.		48	186723800	MICROSWITCH SAIA X3M502K2KAM92AS	
12	9011.144	FORK FOR TUBE D.4		49	129573202	SCREW TCB PH/TT 4X8 UNI 8112 ZNP	
13	140328059	OR 2015 IN SILICONE PTFE/FDA		50	129025002	BRACKET BOILER SMART SUPPORT	
14	140320459	OR METRICO 0080-20 SILICON.PTFE/FDA		51	129932202	ROUND HEAD SCREW 10.9 M5X20 GALV	
15	283551300	3POLE CONNECT.AS.TURBINE JP18 SMART		52	9011.132	SPRING FOR PIN	
16	184651100	ANTIDISTURB FILTER 0,47X2+1000Y2+0,5L	230V	53	147756562	PROTECTION FOR FOLK SPRING TUBE D=4	
	184651500	ANTIDISTURB FILTER 16A FNC 1610474472A	120V	54	U302.003	NUT HEXAGONAL M4 UNI 5588	
17		PARTICULAR NOT AVAILABLE	SEE PART. N°20	55	227876800	CONNECTOR TEFLON 2X4 L=235 MM ASSY.	
18	JS01.022	SILICONE TUBE 5X10 60 SHORE	IN ROLL	56	9161.132	MYLAR WASHER FOR RATIOMOTOR	
19	9161.018	BRACKET FOR TURBINE		57	149205710	PUMP SUPPORT HOLE 13,2 RED	
20	286473300	-M-VDE TURBINE WITH SENSOR KIT	WITH PART. N°17	58	144650300	SUCTION FILTER GAUZE NET 500 (NEW)	
21	9161.331.920	TRANSPARENT RATIOMOTOR COVER		59	145951600	ELECTRIC INSULATING DISK D=16	
22	149194800	TURBINE SUPPORT SMART		60	189428200	THERMOSTAT 175° 1NT-08L-3794	230V
23	NM01.035	OR ORM 0090-20 SILICONE			189428600	THERMOSTAT 175° 1NT-08L-5125	120V
24	NM01.057	OR ORM 0050-20 SILICONE		61	129932502	GALVANIZDE SELF DRILLING SCREW 5X30	
25	9011.099	M CURSOR FOR BOILER VALVE IN PLASTIC		62	9161.206	INSULATING SPACER FOR BOILER	
26	183440800	CABLE 1 WIRE SILIC.BLACK THERM/FUSE 229°	230V	63	126838117	2 THERMOSTATS FIXING SPRING	
	183441062	CABLE 1WIRE SILICONE BLACK AWG18+TH/FUSE	120V	64	282058858	ALUM.BOILER WITH RESISTANCE	230V-1100W
27	129823802	TCB SCREW M4X8 UNI 7687 ZNP			282058855	ALUM.BOILER WITH RESISTANCE	120V-275W
28	227874900	CONNECTOR AS.TEFLON 2X4 L=250 MM		65	227875400	CONNECTOR AS.TEFLON 2X4 L=330 MM	
29	288140458	HEATING-ELEMENT BLECKMAN ASSY.	230V-1000W	66	147922700	BOILER SUPPORT CONNECTOR	
	288140455	HEATING-ELEMENT BLECKMAN ASSY	120V-1000W	67	123453902	SELF-LOCKI.NUT M5X0,8 DIN 980 CLA.8	
30	189428300	THERMOSTAT 175° INTERCONTR.161471002		68	149197700	SUPPORT FOR ALLUMINIUM BOILER SMART	
31	127535319	GALV/STEEL THERMAL FUSE FIXING PLATE			282133758	BOILER SMART/RS 230V ASSY.	
32	128310404	WASHER UNI 8842 A4 BURNISHED			282135555	ALUM.BOILER 120V WITH RESISTANCE ASSY.	
33	147755900	HEAT.ELEMENT PROTECT. BLECKMANN SMART				WITH PART. N° 6-7-13-14-23-24-25-28-40-41-43-44	
34	NE05.038	MICROSWITCH				47-49-5152-53-55-59-60-63-64-66-67-68	
35	9121.046	SINTERED BUSH FOR MOTOR					
36	148380200	WASHER BAKELIZZATE D=5,5					





# GAGGIA®

**SUP 027 YDRO**
**REINFORCE SILICONE TUBE  
FROM S/N. 9008GA40115520**

**Cod. 10001801-2-3-2380-2402-95**

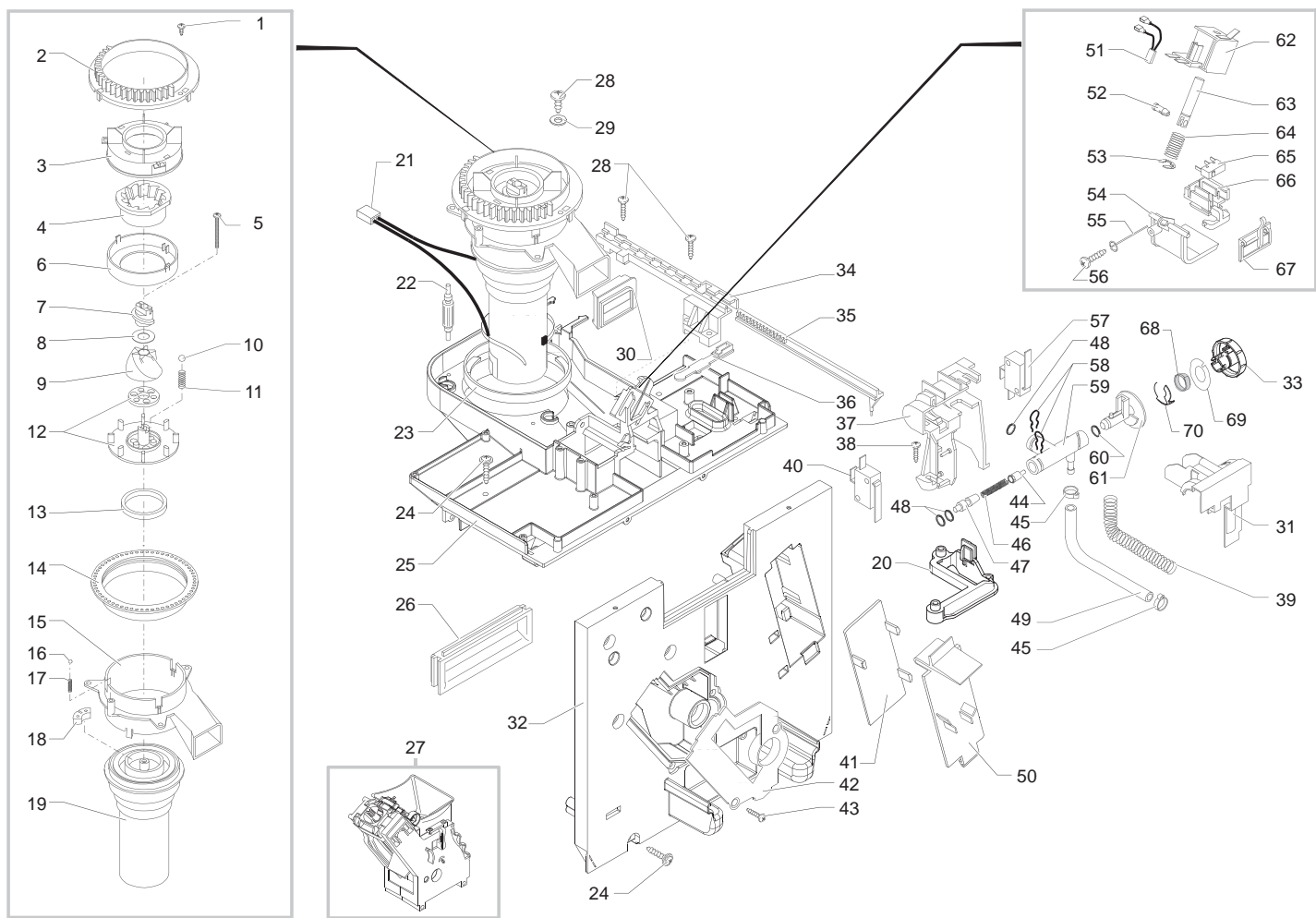
POS	CODE	DESCRIPTION	NOTE	POS	CODE	DESCRIPTION	NOTE
01	147920150	90° INLET CONNECTOR PUMP		41	11009019	TEA/BRASS PISTON L=20,9 ASSY.	
02	184320200	SPRING HOSE CLAMP D=9,5MM		42	16000380	5X8,9 SILICONE TUBE	IN ROLL
03	149360200	SILICONE TUBE 5X8 70SR	IN ROLL	43	129910103	HI-LO TC SCREW 3.5X15 RIF.910189	
04	12000140	ULKA PUMP EP5/S GW	230V-50HZ	44	9011.099	M CURSOR FOR BOILER VALVE IN PLASTIC	
	12000131	ULKA PUMP EP5/S	120V-60HZ	45	9121.042	GEAR Z.12/90	
05	149205710	PUMP SUPPORT HOLE 13,2 RED		46	9121.069.150	GEAR Z=108 FOR MOUNTING PLATE M4000	
06	NM01.035	OR ORM 0090-20 SILICONE		47	11009013	TEA/BRASS PIN FOR PISTON L=10	
07	149185850	EATON PUMP SUPPORT MAGIC 4002012		48	186723800	MICROSWITCH SAIA X3M502K2KAM92AS	
08	289203100	THERMAL PROTECTOR 120°C CABLES 140/340	230V	49	129573202	SCREW TCB TORX 20 M4X8 AUTOFORMING ZN-B	
	289204100	THERMAL PROTECTOR 120°C CABL.140/340	120V	50	129025002	BRACKET BOILER SMART SUPPORT	
09	140321961	OR 2031 IN TERMOIL		51	12000892	OETIKER CLAMP D=9,5 16700004	
10	129670202	TCB PANELVIT SCREW 3,5X16 TESTA D=8 ZNP		52	NM01.057	OR ORM 0050-20 SILICONE	
11	11010166	SAFETY VALVE 16-18 BAR V2 P0049 ASSY.		53	11000750	TEA/BRASS CONNECTOR FOR SILICONE TUBE	
12	11004209	SUPPORT FOR ALLUMINIUM BOILER SMART		54	U302.003	NUT HEXAGONAL M4 UNI 5588	
13	126838117	2 THERMOSTATS FIXING SPRING		55	9011.132	SPRING FOR PIN	
14	9011.100	PEG FOR VALVE IN PLASTIC		56	9161.132	MYLAR WASHER FOR RATIOMOTOR	
15	283551300	3POLE CONNECT.AS.TURBINE JP18 SMART		57	126838217	SENSOR FIXING SPRING	
16	184651100	ANTIDISTURB FILTER 0,47X2+1000Y2+0,5L		58	129573402	SCREW TAPT M4X10 DIN 7985 GALV	
	184651500	ANTIDISTURB FILTER 16A FNC 1610474472A		59	145951600	ELECTRIC INSULATING DISK D=16	
17		PARTICULAR NOT AVAILABLE	SEE PART.N°20	60	189428200	THERMOSTAT 175° 1NT-08L-3794	
18	JS01.022	SILICONE TUBE 5X10 60 SHORE	IN ROLL	61	129932502	SCREW TCEI 5X30 PLAST.ZN-B	
19	9161.018	BRACKET FOR TURBINE		62	9161.206	INSULATING SPACER FOR BOILER	
20	286473300	-M-VDE TURBINE WITH SENSOR KIT	WITH PART.N°17				
21	9161.331.920	TRANSPARENT RATIOMOTOR COVER			11010353	BOILER SMART/RS V3 230V ASSY.	COMPLETE
22	149194800	NATURAL TURBINE SUPPORT SMART			11010354	BOILER SMART/RS V3 120V ASSY.	COMPLETE
23	140320459	OR ORM 0080-20 IN SILICONE PTFE/FDA					
24	11004667	ALUM.BOILER WITH RESISTANCE ASSY	230V-1100W				
	11004669	ALUM.BOILER W/RESISTANCE ASSY	120V-1100W				
25	11002606	BOILER SUPPORT CONNECTOR					
26	183440800	CABLE 1 WIRE SILIC.BLACK THERM/FUSE 229°					
27	129823802	TCB SCREW M4X8 UNI 7687 ZNP					
28	11010624	TRANSP.SILICONE TUBE 10,5X12,3 L=200 MM					
29	11004550	BLECKMAN RESISTANCE SMART ASSY.	230V				
	11004551	BLECKMAN RESISTANCE SMART ASSY.	120V				
30	189428300	THERMOSTAT 175° INTERCONTR.161471002					
31	127535319	GALV/STEEL THERMAL FUSE FIXING PLATE					
32	128310404	WASHER UNI 8842 A4 BURNISHED					
33	147755900	HEAT.ELEMENT PROTECTION BLECKMANN SMART					
34	NE05.038	MICROSWITCH					
35	9121.046	SINTERED BUSH FOR MOTOR					
36	148380200	WASHER BAKELIZZATE D=5,5					
37	9121.044	ANTIVIBRATION FOR MOTOR					
38	11003037	MOTOR FOR RATIOMOTOR ASSY.					
39	123453602	FLANGE NUT M8 TOOTHED BASE GALV.					
40	288582300	SENSOR ELECT.BOARD WITH CONNECTOR ASSY.	120V-230V				

# GAGGIA®

**GAGGIA TITANIUM OFFICE**

Rev. 01 - 20/10/08

TABLE 4/5



# GAGGIA® SUP 027 YDRO


**Cod. 10001801-2-3-2380-2402-95**

POS	CODE	DESCRIPTION	NOTE	POS	CODE	DESCRIPTION	NOTE
01	129511803	SCREW TCB 2,9X6,4 DIN 7981 NICK		39	126722018	SPRING DI=7,5 FOR FABRIC FINISH TUB	
02	148650250	SECTOR GEARGRIND ADJUSTM. KNOB COMBI		40	186723800	MICROSWITCH SAIA X3M502K2KAM92AS	
03	149186150	BLACK UPPER GRINDER SUPPORT MAGIC		41	9161.345.050	BLACK INTERNAL COVERING PUMP SPACE	
04		PARTICULAR NOT AVAILABLE	SEE PART. N°09	42	9161.333.050	BOILER BLACK COVER	
05	129931002	TORX SCREW T10 TCB 3,5X40 SX ZNG		43	129535721	SCREW TSP3,5X9,5 DIN 7982 SS	
06	142844550	UPPER GRINDER COVER COFFEE GRIND. MAGIC		44	11009018	TEA/BRASS PISTON L=15,1 ASSY.	
07	147470763	INCREASE SCREW PIN COFFEE GRINDER MAGIC		45	NF11.052	OETIKER CLIP	
08	U201.002	PLAIN WASHER 10X16X0,2DIN 988 GAL		46	126765317	STEEL SPRING BOILER PISTON MAGIC	
09	226473500	KIT TECNIA GRINDERS	WITH PART. N°04	47	11009007	TEA/BRASS CAP FOR FAUCET NESPRESSO	
10	128610521	STAIL.STEEL AISI 304 SPHERE D=5,5MM		48	140328059	OR 2015 IN SILICONE PTFE/FDA	
11	126765517	STEEL SPRING SPHERE D=5,5 MOTOR MAGIC		49	229433300	BRAIDED SILICONE TUBE 3X7 L=185 MM	
12	149188750	CONICAL GRIND. SUPP. + RING MAGIC		50	9161.332.050	BLACK EXTERNAL COVERING PUMP SPACE	
13	140360200	FELT RING 40X34X5		51	289203600	THERMAL.PROTECTOR 100°C	230V 120V
14	146570950	RING NUT FOR GRINDING ADJUSTMENT MAGIC			289203600	THERMAL.PROTEC.100°C UL CAB.145/200	
15	149194200	GRINDER MOTOR SUPPORT SMART		52	9161.076.150	DOSER DOOR PIN GREY	
16	128610421	STAIL.STEEL AISI 304 SPHERE D=3,2MM		53	U701.003	SNAP RING 7 UNI 7434	
17	126770117	NEW SPRING SPHERE D=3,2 MOTOR MAGIG		54	9161.074.150	DOSER DOOR GREY	
18	140230400	SHOCK ABS .CONICAL GRINDER SUPP.MAGIC		55	9161.048	SCRAPER ROD	
19	9141.075.00A	MOTOR MC MIELE WERKS NORME	230V	56	U140.004	PANELVIT TCB 3,0X12 DIN 7505 B GAL	
	9141.075.00F	MOTOR MC MIELE WERKS NORME	120V	57	186724200	MICROSWITCH SAIA X3M502K2KAJ32AV	
20	0352.022.050	SPACER SUPPORT FAUCET S6000 BLACK		58	9011.144	FORK FOR TUBE D.4	
21	283544900	2POLES CONN.AS.COF.GRIN.JP1 33MH CA	230V	59	11003733	NIKELED STEAM FAUCET	
	283544955	2POLES CONN.AS.COF.GRIN.JP1 33MH CA	120V	60	140328561	OR D=4,18 X 1,90 IN TERMOIL	
22	9991.103	ANTIVIBRATION FOR COFFEEGRINDER		61	140640300	FAUCET SHAFT FOR SMART	
23	9141.052	COFFEEGRINDER REINFORCING RING		62	283770658	ELECTROMAGN.SMART ASSY.	230V 120V
24	129670202	PANE. TCB SCREW 3,5X16 TESTA D=8 Z			283770655	ELECTROMAGN.SMART ASSY.	
25	147531500	BLACK GRINDER SUPPORT PLATE P107		63	9161.041	DOSER ELECTROMAGNET CORE	
26	145895350	BLACK INSERT FOR MOUNT.PLATE SMART		64	126764818	SPRING ELECTROM.BEAN DOSER MAGIC	
27	11004183	BLACK BREW UNIT NEW P107 SEE COD. EXPL. E90052		65	NE05.017	MICROSWITCH	
28	129660102	PANELVIT TCB SCREW 3,5X18 D.7505 Z		66	9161.072.150	MICRO SUPPORT CURSOR GREY	
29	U207.004	PLAIN WASHER 4,3X16 UNI 6592 GAL		67	9161.073.150	DOSE CONTROL COMPENSATOR GREY	
30	145851862	GROUND COFFEE OUTLET SEAL SMART		68	DM2296	COMPRESSION RING	
31	147756400	PROTECTION FAUCET BODY WATER/STEAM		69	9161.383	SPACER FOR NESPRESSO KNOB	
32	227533000	ASSEMBLY BOILER SUPPORT PLATE SMART		70	NF11.084	FOLK SPRING	
33	227701537	STEAM KNOB G6000 SILVER			0345.R05	SPARES KIT WITH PART. N°44-46-47-48-58-59-60-61	
34	147572150	PLATE FIXING TOOTHED SLIDE SMART					
35	148740550	TOOTHED SLIDE FOR DOSE ADJUST SMART					
36	9161.122.150	DOSE ADJUSTMENT LEVER GREY CLASSIC					
37	11005343	BLACK FAUCET SUPPORT V2 SMART					
38	U109.021	SCREW AUT.TCB 3,5X22 DIN 7981 C					

# GAGGIA®

**GAGGIA TITANIUM OFFICE**

Rev. 01 - 20/10/08

TABLE 5/5