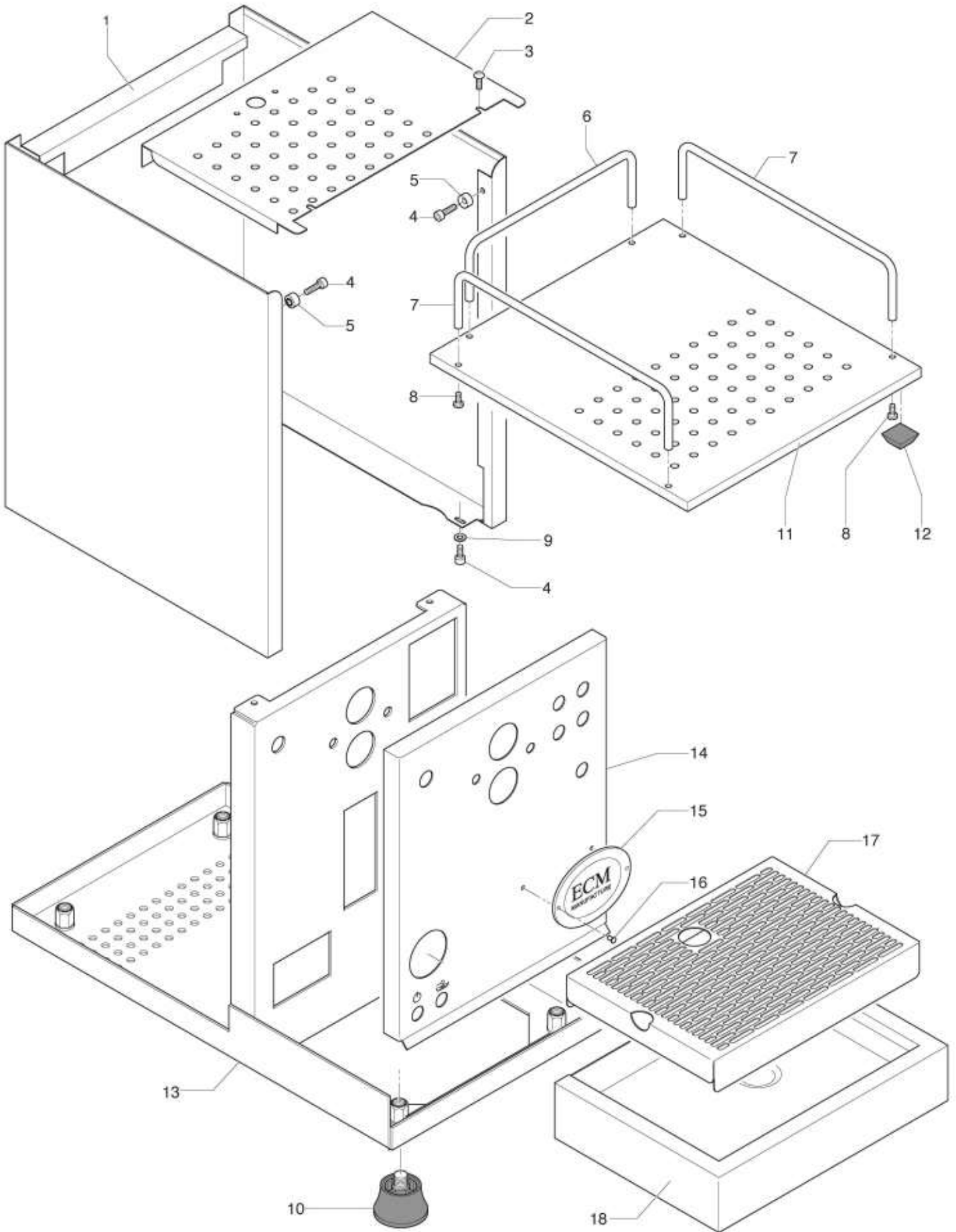




## CLASSIKA Art.-Nr. 81044

Ersatzteile / Spare parts / Parti di ricambio

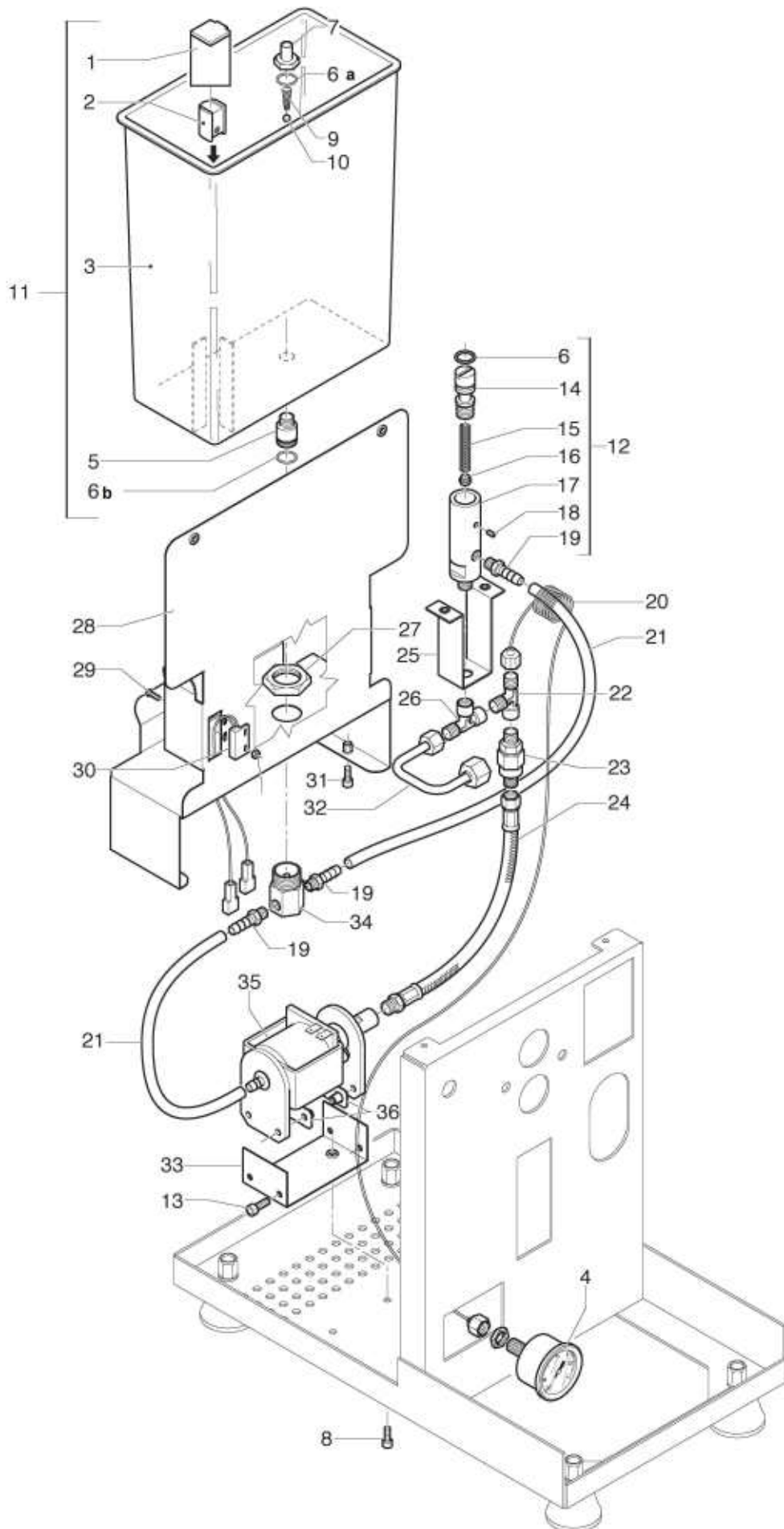
# Drawing 01



**Table 1**

<b>Pos.</b>	<b>Artikelnr./ item no./ num.art.</b>	<b>Bezeichnung</b>	<b>Description</b>	<b>Descrizione</b>	<b>Preis/ price/ prezzo in €</b>
1	P9002	Gehäuse Classika II	Body Classika II	Fascione Classika II	159,00
2	P9008	Untere Tassenablage Classika II	Lower cup warmer tray Classika II	Griglia inferiore Classika II	34,90
3	P2022	Schraube Linse M4x10 A2 glänzend	Lens-head screw M4x10A2 polished	Vite bombata M4x10A2 lucida	0,11
4	P2006	Schraube Zylinder M4x10 A2	Screw cylinder M4x10 A2	Vite TCI M4x10 A2	0,12
5	B5220818	Buchse	Nut	Bussola	0,42
6	P9028	Reling kurz Classika	Rail short Classika	Spondina corta Classika	9,90
7	P3002	Reling gerade	Rail straight	Spondina/ Ringhierina piana	9,90
8	B7826212	Schraube Zylinder M4x6 VA	Screw cylinder M4x6 VA	Vite TCI M4x6 VA	0,15
9	P2009	Unterlegscheibe A2 0 4 UNI 6592	Washer A2 0 4 UNI 6592	Rondella piana A2 0 4 UNI 6592	0,10
10	B7474216	Fuß M10	Foot M10	Piedino fisso M10	1,95
11	P9001	Tassenablage Classika II	Cup warmer tray Classika II	Griglia superiore Classika II	49,90
12	B7474212	Fuß Tassenablageblech	Foot cup warmer tray	Piedino adesivo	0,69
13	P9005	Grundchassis Classika II	Base chassis Classika II	Basamento Classika II	91,95
14	P9006	Frontblech Classika II	Front panel Classika II	Frontalino Classika II	32,65
15	E81000	Emblem ECM Classika	Label ECM Classika	Emblema ECM Classika	9,27
16	P1999	Blindniete Flachrundkopf 3x8	Blind rivet truss head 3x8	Rivetto 3x8	0,13
17	P9004	Gitter Wasserauffangschale Classika II	Grid drip tray Classika II	Griglia bacinella Classika II	39,50
18	P9003	Wasserauffangschale Classika II	Drip tray Classika II	Bacinella Classika II	119,50

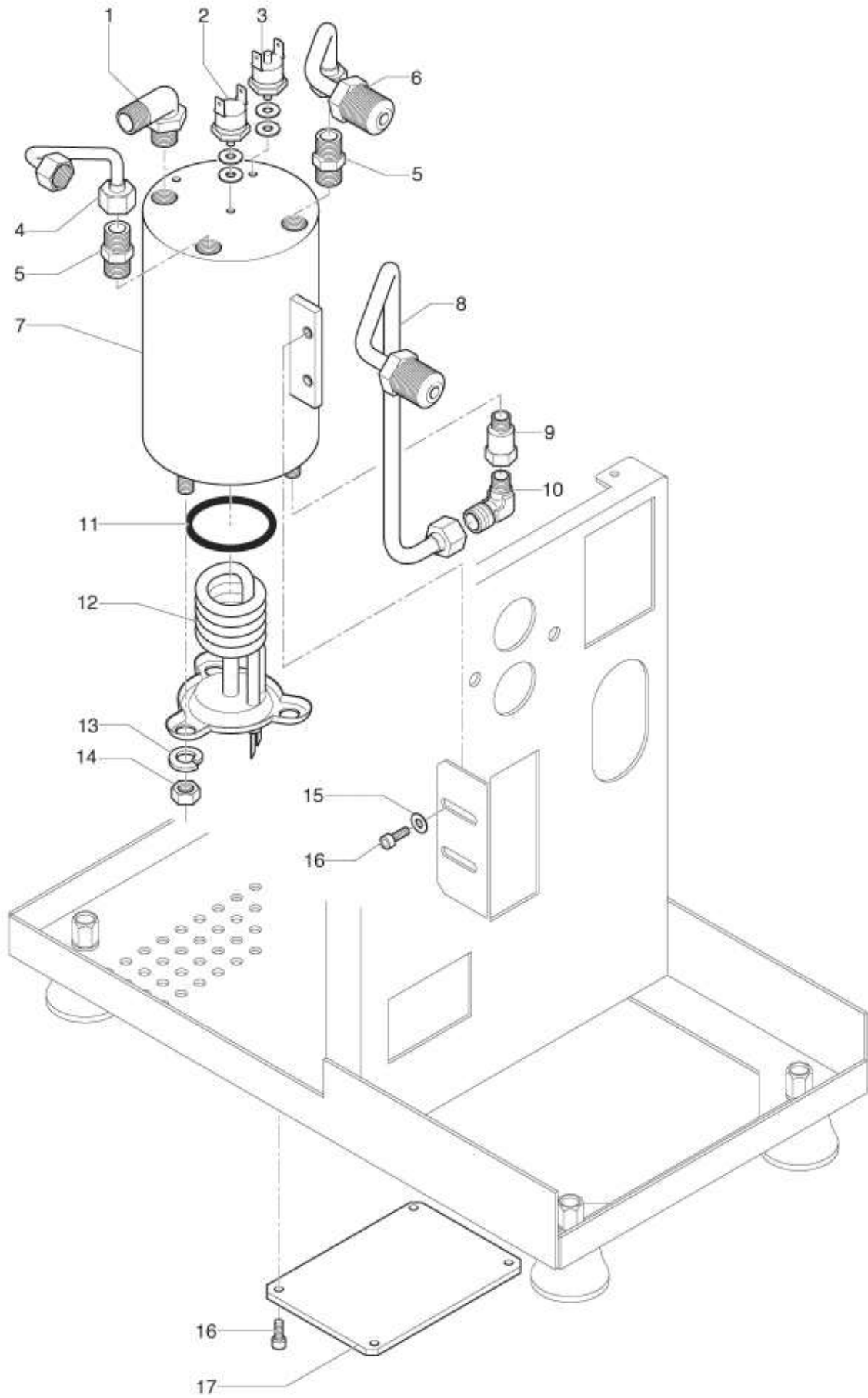
# Drawing 02



**Table 2**

Pos.	Artikelnr./ item no./ num.art.	Bezeichnung	Description	Descrizione	price/ prezzo in €
1	P6016	Wassertank Stöpsel	Water tank plug	Tappo per serbatoio	1,85
2	P6021	Reed-Schwimmer	Reed floater	Galleggiante reed	3,90
3	P9010	Wassertank Casa/Classika	Water tank Casa/Classika	Serbatoio Casa/Classika	25,00
4	B7432517	Pumpenmanometer	Pump pressure gauge	Manometro pompa	28,07
5	P6017	Wassertankadapter oben Edelstahl	Upper water tank adapter stainl. steel	Portagomma serbatoio superiore inox	3,95
o. Abb.	P6020.K2	Wassertankadapter oben Kunststoff (Nr. 2)	Upper water tank adapter plastics (no.2)	Portagomma serbatoio superiore plastica (num. 2)	3,45
6a	P7000.5	OR Exp.v. 9.92x2.62 OR112 Edelstahl	OR exp. valve 9.92x2.62 OR112 stainl. steel	OR valvola esp. 9.92x2.62 OR112 inox	0,65
o. Abb.	P6020.3	OR Wassertankadapter 13.94x2.62 Kunststoff	OR water tank adapter 13.94x2.62 plastics	OR portagomma serbatoio 13.94x2.62 plastica	0,29
6b	B7496076	Dichtung OR 112 EPDM 70 SH	Gasket OR 112 EPDM 70 SH	Guarnizione OR 112 EPDM 70 SH	0,65
7	P6020	Wassertankadapter Mitte Edelstahl	Water tank adapter middle stainl. steel	Portagomma medio serbatoio inox	4,95
o. Abb.	P6020.K1	Wassertankadapter Mitte Kunststoff (Nr. 1)	Water tank adapter middle plastics (no. 1)	Portagomma medio serbatoio plastica num. 1	3,45
8	P2006	Schraube Zylinder M4x10 A2	Screw cylinder M4x10 A2	Vite TCI M 4x10 A2	0,12
9	P6023	Feder Wassertank	Spring water tank	Molla serbatoio	1,25
10	B5471509	Kugel 7/32" AISI 304	Ball 7/32" AISI 304	Sfera inox 7/32" AISI 304	0,45
11	P9010K1	Wassertank Classika komplett Edelstahl	Water tank Classika complete stain.steel	Serbatoio Classika completo inox	42,90
o. Abb.	P9010K1.K	Wassertank Classika II komplett Kunststoff	Water tank Classika II complete plastics	Serbatoio Classika II completo plastica	36,90
12	P7000	Expansionsventil komplett	Expansion valve complete	Valvola espansione completa	29,95
13	P2007	Schraube Zyl In M5x10	Screw cylinder In M5x10	Vite Cilindro A2 M5x10	0,11
14	P7000.2	Druckjustage Expansionsventil	Pressure adjustment expansion valve	Vite valvola espansione sopra	10,95
15	P7000.3	Feder Expansionsventil	Spring expansion valve	Molla valvola espansione	0,90
16	P7000.4	Gummistöpsel für Expansionsventil	Rubber plug for expansion valve	Tappo gomma per valvola espansione	0,65
17	P7000.1	Grundkörper Expansionsventil	Body expansion valve	Corpo valvola espansione	15,25
18	P7000.6	Gewindestift M3x6 Innensechskant	Grub screw M3x6 hexagon socket	Grano M3x6 V2 brugola	0,16
19	P6052	Anschluss Silikon 1/8"x6	Connector silicone 1/8"x6	Portagomma conico 1/8"x6	4,90
20	P6051	Kapillarrohr Pumpenmanom.1m 1/8"-1/8"	Capill. tube pump p. gauge 1m 1/8"-1/8"	Tube capillare 1m 1/8"-1/8"	3,95
21	C499900769	Silikonschlauch 1fm	Tube silicone per metre	Tube silicone al metro	5,06
22	C229900644	T-Stück 1/8" MMF	T connector 1/8"MMF	Raccordo a T 1/8"MMF	4,58
23	C229900548	Rückschlagventil 1/8"MM	Non-return valve 1/8"MM	Valvola non ritorno 1/8"MM	10,52
24	P8012	Metallschlauch flex. 17 cm 1/8"M-1/8"F	Metal tube flex. 17 cm 1/8"M-1/8"F	Tube flex 17 cm 1/8"M-1/8"F bombata	8,90
25	P9026	Blechhalterung Expansionventil	Metal fitting expansion valve	Staffa valvola espansione	10,95
26	E2113001	T-Stück 1/8"MFF	T connector 1/8"MFF	Raccordo a T 1/8" MFF	2,60
27	P6018	Wassertankadapter Mutter Edelstahl	Nut water tank adapter stainl. steel	Dado portagomma serbatoio inox	2,35
o. Abb.	P6020.K3	Mutter M20 Wassertank Kunststoff (Nr. 3)	Nut M20 water tank plastics (no. 3)	Dado portagomma serb. plastica (num. 3)	3,45
28	P9007	Wassertankführung Classika	Water tank guide Classika	Guida serbatoio Classika	48,24
29	P2021	Schraube Linse M3x10 A2	Lens-head screw M3x10 A2	Vite bombata M3x10 A2	0,10
30	P6022	Reed Sensor	Reed sensor	Sensore reed	9,76
31	P2006	Schraube Zylinder M4x10 A2	Screw cylinder M4x10 A2	Vite TCI M4x10 A2	0,12
32	P9118	Befüllungsrohr Classika	Feed pipe Classika	Tube carico Classika	8,24
33	P9027	Blechhalterung Pumpe Classika	Metal fitting pump Classika	Staffa pompa Classika	12,00
34	P6019	Wassertankadapter unten Edelstahl	Lower water tank adapter inox (no. 4)	Portagomma serbatoio inferiore inox	4,95
o. Abb.	P6020.K4	Fitting Wassertank M20 Kunststoff (Nr. 4)	Fitting water tank M20 Kunststoff (no. 4)	Portagomma serbatoio inferiore plastica (num. 4)	3,45
35	C199900280	Pumpe ULKA EX5 230V/50hz	Pump ULKA EX5 230V/50hz	Pompa ULKA EX5 230V/50hz	40,39
35	US1001	Pumpe US Ulka EAX5 120V/60Hz 52W	Pump US Ulka EAX5 120V/60Hz 52W	Pompa US Ulka EAX5 120V/60Hz 52W	40,39
36	P3004	Blechbügel Pumpenhalterung	Metal clamp pump fitting	Staffa supporto pompa	2,45
o. Abb.	P6020.K	Wassertankadapter komplett Kunststoff (Set aus P6020.K1 bis P6020.K4)	Water tank adapter complete plastics (set including P6020.K1 to P6020.K4)	Portagomma serbatoio completo plastica (Completo di P6020.K1, ..K2, ..K3, ..K4)	9,75

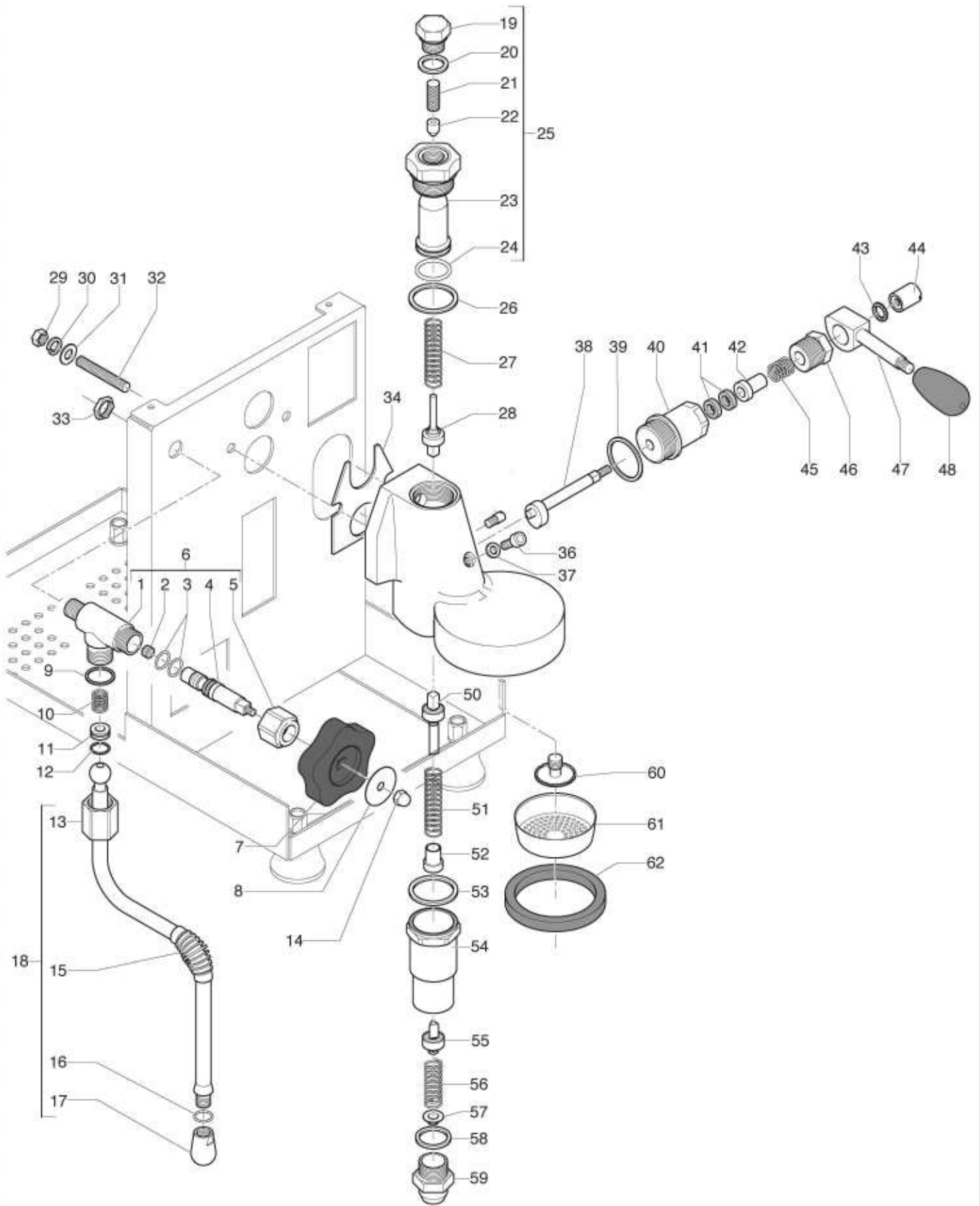
# Drawing 03



**Table 3**

Pos.	Artikelnr./ item no./ num.art.	Bezeichnung	Description	Descrizione	price/ prezzo in €
1	P2040	Winkel Wärmetauscher 1/4"-1/4"	Angle heat exchanger 1/4"-1/4"	Raccordo L 1/4"-1/4"	7,69
2	C100001816	Thermostat 135°C Dampf	Thermostat 135°C steam	Termostato 135°C vapore	7,95
3	C199901549	Sicherheitsthermostat 165°C	Safety thermostat 165°	Termostato riarmo 165°C	6,62
4	P9022	Rohr Dampf/Heißwasser	Tube steam/hot water	Tubo prelievo acqua/vapore	8,08
5	C229900520	Nippel 1/4"-1/4"	Fitting 1/4"-1/4"	Nipplo 1/4"-1/4"	3,90
6	P9020	Rohr Einlauf Gruppe	Inlet pipe group	Tubo D8 supporto caldaia	10,92
7	P9012	Kessel Classika II	Boiler Classika II	Caldaia Classika II	132,00
8	P9021	Rohr Rücklauf Gruppe	Return pipe group	Tubo ritorno	13,40
9	P2047	Verlängerung MF 1/8"	Extension MF 1/8"	Prolunga MF 1/8"	1,12
10	P9015	L Verbindungsstück 1/8"MM	L connector 1/8"MM	Raccordo L 1/8"MM	2,40
11	P9013	Dichtung Heizung Classika	Gasket heating Classika	Guarnizione resistenza Classika	3,02
12	P9011	Heizung Classika II	Heating Classika II	Resistenza Classika II	40,39
12	US1003	Heizung Classika II 110 V	Heating Classika II 110 V	Resistenza Classika II 110 V	40,39
13	P2011	Unterlegscheibe offen A2 0 8 UNI1	Washer open A2 0 8 UNI1751	Rondella grower A2 0 8 UNI1751	0,18
14	C309900127	Sechskantmutter M8 V2	Hexagon nut M8 V2	Dado M8 A2	0,10
15	P2009	Unterlegscheibe A2 0 4 UNI 6592	Washer A2 0 4 UNI 6592	Rondella piana A2 0 4 UNI 6592	0,10
16	P2006	Schraube Zylinder M4x10 A2	Screw cylinder M4x10 A2	Vite TCI M4x10 A2	0,12
17	P9009	Blechabdeckung Heizung	Cover sheet heating	Chiusura resistenza Classika	5,24

# Drawing 04

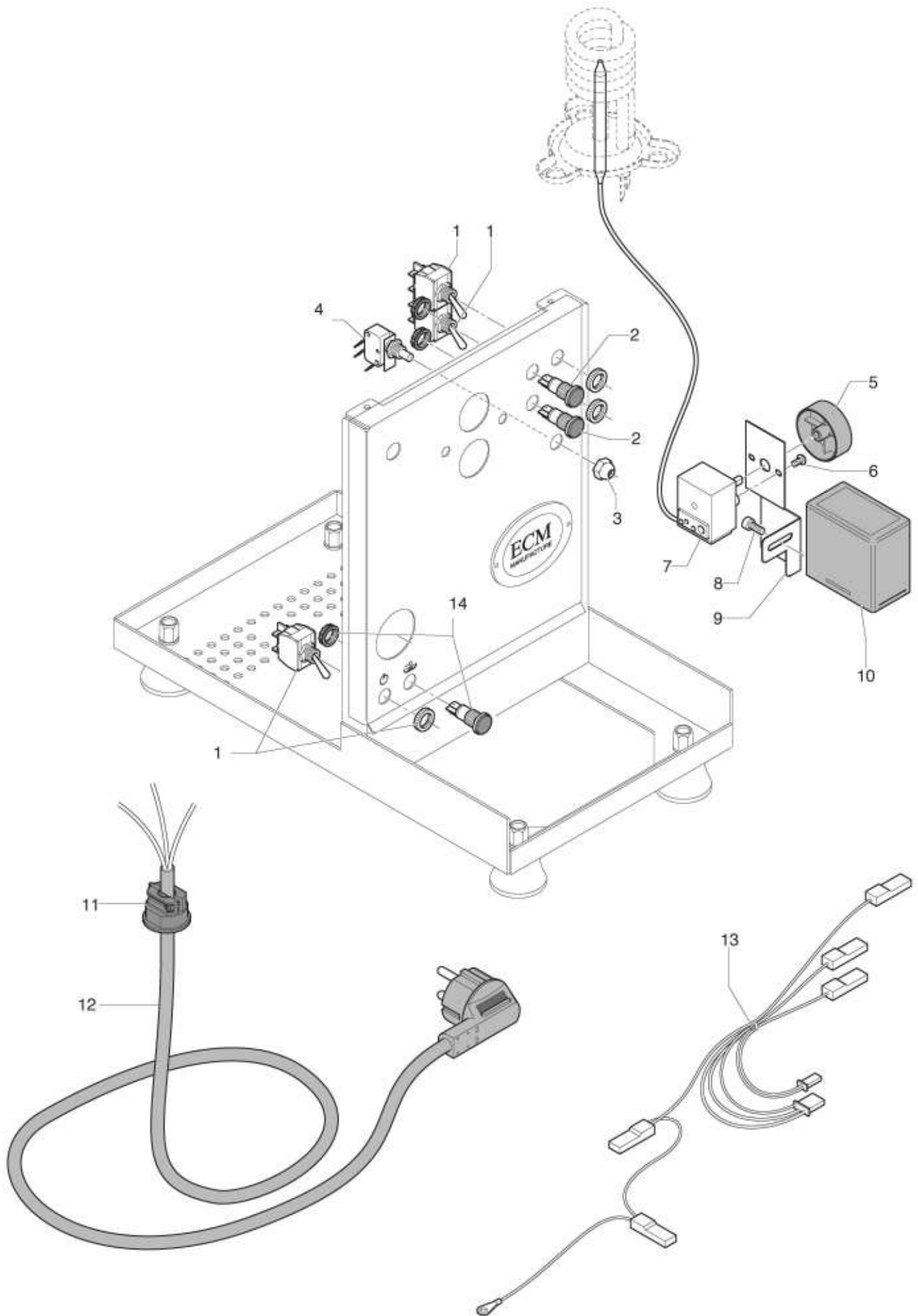




**Table 4**

Pos.	Artikelnr./ item no./ num.art.	Bezeichnung	Description	Descrizione	price/ prezzo in €
1	P6000.1	Dampf-/Heißwasserventil Korpus	Steam/hot water valve body	Valvola vapore/acqua corpo	21,95
2	P6000.2	Dichtung D9x6,5	Gasket D9x6.5	Pastiglia D9x6,5	1,48
3	P6000.3	Dichtung OR D9,92x2,62 EPDM	OR gasket D9.92x2.62 EPDM	Guarnizione OR D9,92x2,62 EPDM	0,98
4	P6000.4	Spindel Dampf/Heißwasserventil	Spindle steam/hot water valve	Alberino valvola vapore/acqua	6,71
5	P6000.5	Mutter 3/8"G	Nut 3/8"G	Dado 3/8"G	6,60
6	P6000	Dampf-/Heißwasserventil	Steam/hot water valve	Rubinetto vapore/acqua	34,90
7	B7371509	Dampf-/Heißwassergriff 7x7	Steam/hot water handle 7x7	Manopola vapore/acqua 7x7	9,15
8	B5522057	Dampf-/Heißwassergriffscheibe	Disc steam/hot water handle	Rondella manopola vapore/acqua	1,20
9	P6015	Teflondichtung für Ventil	Gasket teflon for valve	Guarnizione teflon per rubinetto	0,49
10	P6011	Feder Ventil P6000	Spring P6000 valve	Molla valvola P6000	1,10
11	P6010	Teflonscheibe	Teflon disc	Lunetta teflon	1,60
12	C449900719	Unterer OR Mutter Dampf-/Heißwasserventil	Lower OR steam/water nut	OR inferiore dado vapore/acqua	0,49
13	P6002.5	Nuss Dampf-/Heißwasserrohr	Spanner socket steam/hot water pipe	Calotta vapore/acqua	4,65
14	P6000.6	Hutmutter M5	Bow nut	Dado cieco M5	0,60
15	P6002.2	Gummiisolation Dampfhahn	Rubber insulation steam pipe	Isolante tubo vapore	2,10
16	P6002.1	OR Dampfdüse	OR steam nozzle	OR per tubo vapore inox	0,46
17	P6002.4	Dampfdüse 2-Loch	Steam nozzle two holes	Spruzzatore inox a 2 fori	4,95
18	P6002	Dampfrohr für Ventil P6000	Steam pipe for P6000 valve	Tubo vapore per valvola P6000	24,90
19	R000002141	Verschraubung Brühgruppenzylinder	Plug brew group cylinder	Tappo gigneur gruppo levetta	5,95
20	C469900420	Dichtung Stopsel Gigneur	Gasket plug gigneur	Guarnizione tappo gigneur	0,97
21	C619900554	Metallfilter Gigneur 0,8	Inox filter 0.8	Filtro gigneur 0,8	4,04
22	C229900549	Gigneur 0,8	Gigneur 0.8	Gigneur 0,8	0,97
23	C229901133	Brühgruppenzylinder oben	Upper sleeve assy	Cannotto gruppo	25,50
24	C469900422	Dichtung Glocke Brühgruppe	Gasket socket brewing unit	Guarnizione fungo cannotto	0,97
25	C2299001133.K	Glocke Brühgruppe komplett	Socket group complete	Fungo cannotto completo	34,50
26	C469900421	Dichtung Achse 35x30x2	Gasket axis 35x30x2	Guarnizione cannotto gruppo	0,97
27	C219900423	Feder oben	Upper delivery valve spring	Molla valvola superiore	3,02
28	C219900424	Ventil Gruppe E61 oben	Upper valve E61 group	Valvola erogazione sup. gruppo E61	11,20
29	C309900127	Sechskantmutter M8 V2	Hexagonal nut M8 V2	Dado esagonale M8 V2	0,10
30	P2011	Unterlegscheibe offen A2 0 8 UNI1751	Washer open A2 0 8 UNI1751	Rondella aperta A2 0 8 UNI1751	0,18
31	P2010	Unterlegscheibe A2 0 8 UNI6592	Plain washer A2 0 8 UNI6592	Rondella piana A2 0 8 UNI6592	0,08
32	C309900131	Gewindestift M8x31 ASTM A193	Grub screw M8x31 ASTM a193	Grano M8x31 ASTM A193	0,40
33	C329900682	Halbmutter 1/4"	Half nut 1/4"	Mezzo dado 1/4"	0,74
34	C449900767	Dichtung Brühgruppe am Gehäuse	Gasket group/front panel	Guarnizione gruppo/frontalino	1,51
36	C309900164	Schraube Zylinder M6x10	Screw cylinder M6x10	Vite TCI M6x10	0,25
37	C469901132	Teflondichtung 10x6x1	Teflon gasket 10x6x1	Guarnizione teflon 10x6x1	0,59
38	C219900425	Achse Gruppe	E61-axis	Albero a camme	20,40
39	C469900421	Dichtung Achse 35x30x2	Gasket axis 35x30x2	Guarnizione cannotto gruppo	0,97
40	R000002142	Flansch	Cam flange	Flancia portacamme	14,95
41	C219900426	Unterlegscheibe Achse	Flat washer axis	Guarnizione premistoppa	0,84
42	R000002143	Stutzen Gruppe E61	Bushing	Bussola premigomma	1,95
43	B7479947	Zahnscheibe 0,8	Lock washer 0.8	Rondella dentata 0,8	0,28
44	R000002146	Bolzen Hebel M6 x Durchm. 15	Cap M6 x diam. 15	Calotta M6 x diam. 15	2,60
45	C219900427	Feder Achse Gruppe	Spring axis group	Molla albero a camme	2,51
46	R000002144	Verschraubung Achse Gruppe	Plug axis group	Tappo premigomma	3,95
47	P1000.2	Hebel Achse Gruppe	Lever axis group upper w/bolt	Camme (leva)	36,05
48	C439900840	Brühhebelgriff M8	Lever knob M8	Manopola gruppo M8	4,55
50	C219903081	Ventil Gruppe E61 Mitte	Valve E61 group middle	Valvola scarico gruppo E61 m.	11,20
51	C219900423	Feder oben	Upper delivery valve spring	Molla valvola superiore	3,02
52	B7479942	Federführung Gruppe	Spring guide group	Bussola guida molla	2,10
53	C469900421	Dichtung Achse 35x30x2	Gasket axis 35x30x2	Guarnizione cannotto gruppo	0,97
54	C229901165	Vorbrühzylinder	Lower sleeve assy	Cannotto inferiore	19,20
55	C219900430	Ventil Gruppe E61 unten	Lower valve E61 group	Valvola scarico sotto gruppo E61	11,20
56	C219900431	Feder unten	Lower spring	Molla scarico sotto	3,02
57	R000002148	Sprühverteiler unten	Lower sprayer	Bussola frangiacqua sotto	3,95
58	C469900783	Dichtung Teflon Gruppe E61 unten	Lower gasket teflon E61 group	Guarnizione Teflon sotto gruppo E61	0,59
59	R000002149	Verschraubung unten	Lower tube fitting	Raccordo inferiore	5,95
60	C229901128	Sprühverteiler	Sprayer	Diffusore gruppo	6,95
61	C519900103	Duschensieb E61	Shower screen E61	Doccetta E61	5,84
62	C449900229	Gruppendichtung H=8,0mm	Group gasket H=0.8mm	Guarnizione sottocoppa H=0,8mm	5,00

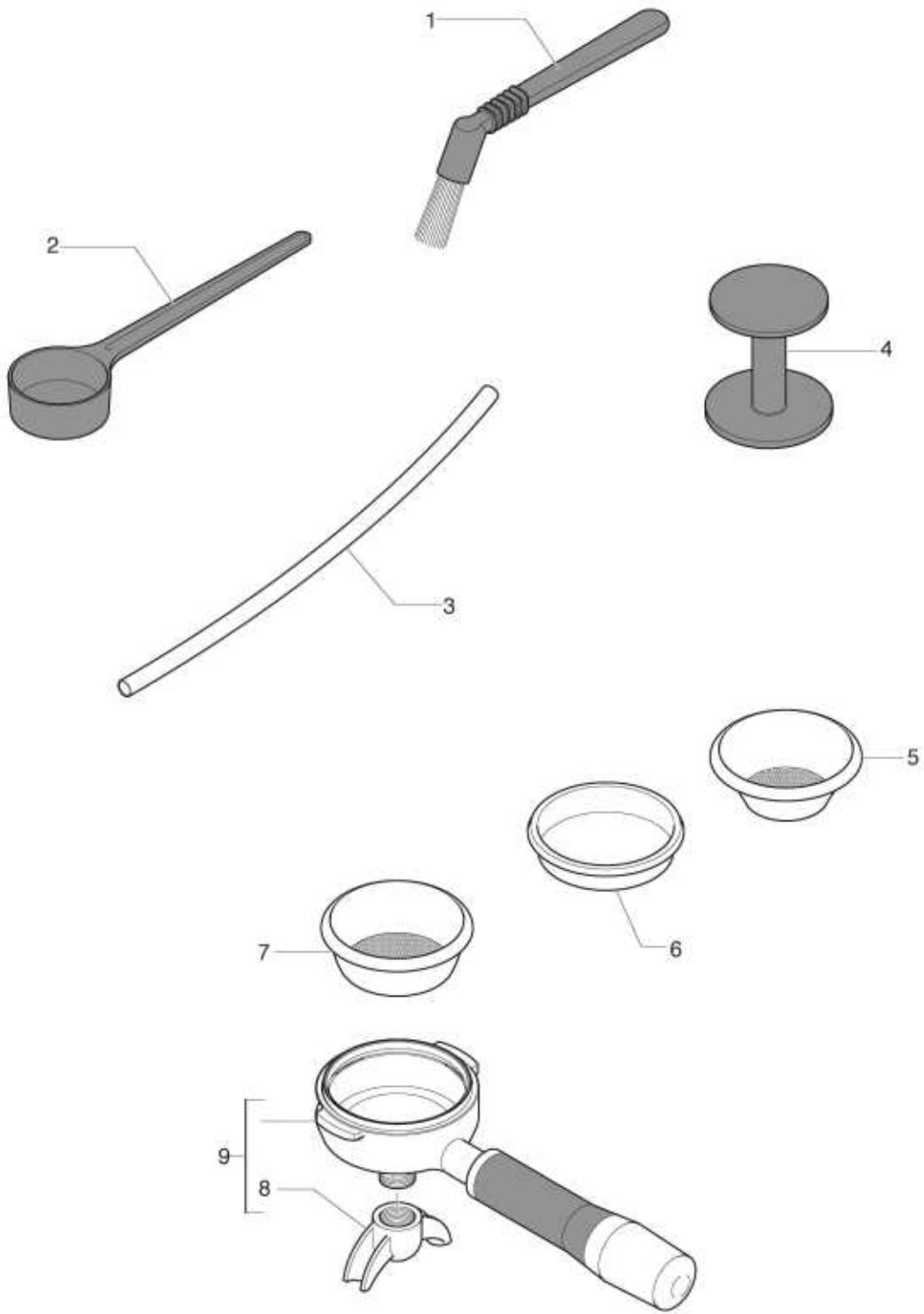
# Drawing 05



**Table 5**

Pos.	Artikelnr./ item no./ num.art.	Bezeichnung	Description	Descrizione	price/ prezzo in €
1	C199900087	Ein/Ausschalter Metall	ON/OFF switch metal	Interruttore levetta inox	11,71
2	B7633617	Kontrolllampe orange MIII 220-240V	Control lamp orange MIII 220-240V	Lampada spia arancione MIII 220-240V	4,04
3	B5221875CM	Mutter Microschalter 10x0,75	Nut micro switch 10x0.75	Dado micro hex 10x0,75 tagliato	1,49
4	C199900306	Mikroschalter Gruppe NR6K5	Micro switch group NR6K5	Microinteruttore gruppo NR6K5	7,11
5	B7434012	Stellrad Thermostat	Hand wheel thermostat	Manopola termostato	1,08
6	P2055	Schraube Linse M4x6	Lens-head screw M4x6	Vite bombata M4x6	0,10
7	B7434011	Thermostat Classika	Thermostat Classika	Termostato Classika	19,90
8	P2007	Schraube Zylinder A2 M5x10	Screw cylinder A2 M5x10	Vite TCCE A2 M5x10	0,11
9	P9023	Blechalterung Therm. Classika II	Metal fitting thermostat Classika II	Staffa x centralina Classika II	12,52
10	P9025	Elektronik-Box Classika II	Electronics box Classika II	Centralina Classika II	89,00
o. Abb.	P9025.AU	Elektronik Box Cl. II 240V 50Hz	Elektronics Box Cl. II 240V 50Hz	Centralina Classika II 240V 50 Hz	89,00
o. Abb.	US1009	Elektronik-Box Classika II 115V	Electronics box Classika II 115V	Centralina Classika II 115V	89,00
11	C439900086	Zugentlastung/Kabelklemme	Cable anchorage/cable clip	Fissacavo/morsetto	1,99
12	C199900957	Anschlusskabel Schuko 3x1,5	Cable connection 3x1.5	Cavo schuko 3x1,5	8,00
o. Abb.	P2035	UK Netzkabel 3x1,5 1,80m lang	UK power cord 3x1.5 1.80m long	UK cavo rete 3x1,5 1,80m lungo	9,90
o. Abb.	P2036	AUS Netzkabel 3x1,5 1,80m lang	AUS power cord 3x1.5 1.80m long	AUS cavo rete 3x1,5 1,80m lungo	9,90
o. Abb.	P2034	US Netzkabel 3x1,5 1,80m lang	US power cord 3x1.5 1.80m long	US cavo rete 3x1,5 1,80m lungo	9,90
13	P9024	Kabelbaum Classika II	Cable loom Classika II	Cablaggio Classika II	22,52
14	B7633618	Kontrolllampe grün MIII 220/240V	Control lamp green MIII 220-240V	Lampada spia verde MIII 220/240V	4,04

# Drawing 06



**Table 6**

<b>Pos.</b>	<b>Artikelnr./ item no./ num.art.</b>	<b>Bezeichnung</b>	<b>Description</b>	<b>Descrizione</b>	<b>Preis/ price/ prezzo in €</b>
1	R210	Reinigungspinsel für Duschensieb	Cleaning brush for shower screen	Spazzolino per doccia	2,48
2	C639900710	Messlöffel	Measuring spoon	Misurino	5,06
3	C499900769	Silikonschlauch lfm	Silicone tube per metre	Tubo silicone al metro	5,06
4	C639900764	Stopfer/Tamper Plastik	Tamper plastics	Pressino	5,06
5	C619900104	Tassensieb 7g	Filter 7g	Filtro 7g	5,84
6	C619900106	Blindsieb	Blind filter	Filtro cieco	5,84
7	C619900105	Tassensieb 14g	Filter 14g	Filtro 14g	5,84
8	P9120	Auslauf 2 Wege klein	Double spout small	Beccuccio 2 vie mini	5,06
9	89423	Filterträger 2 Ausläufe mini Chrom/schwarz	Filter holder 2 spouts mini chromed/black	Portafiltro 2 vie mini cromato/nero	58,78