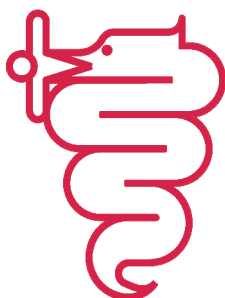


# STREGA



**BEZZERA**

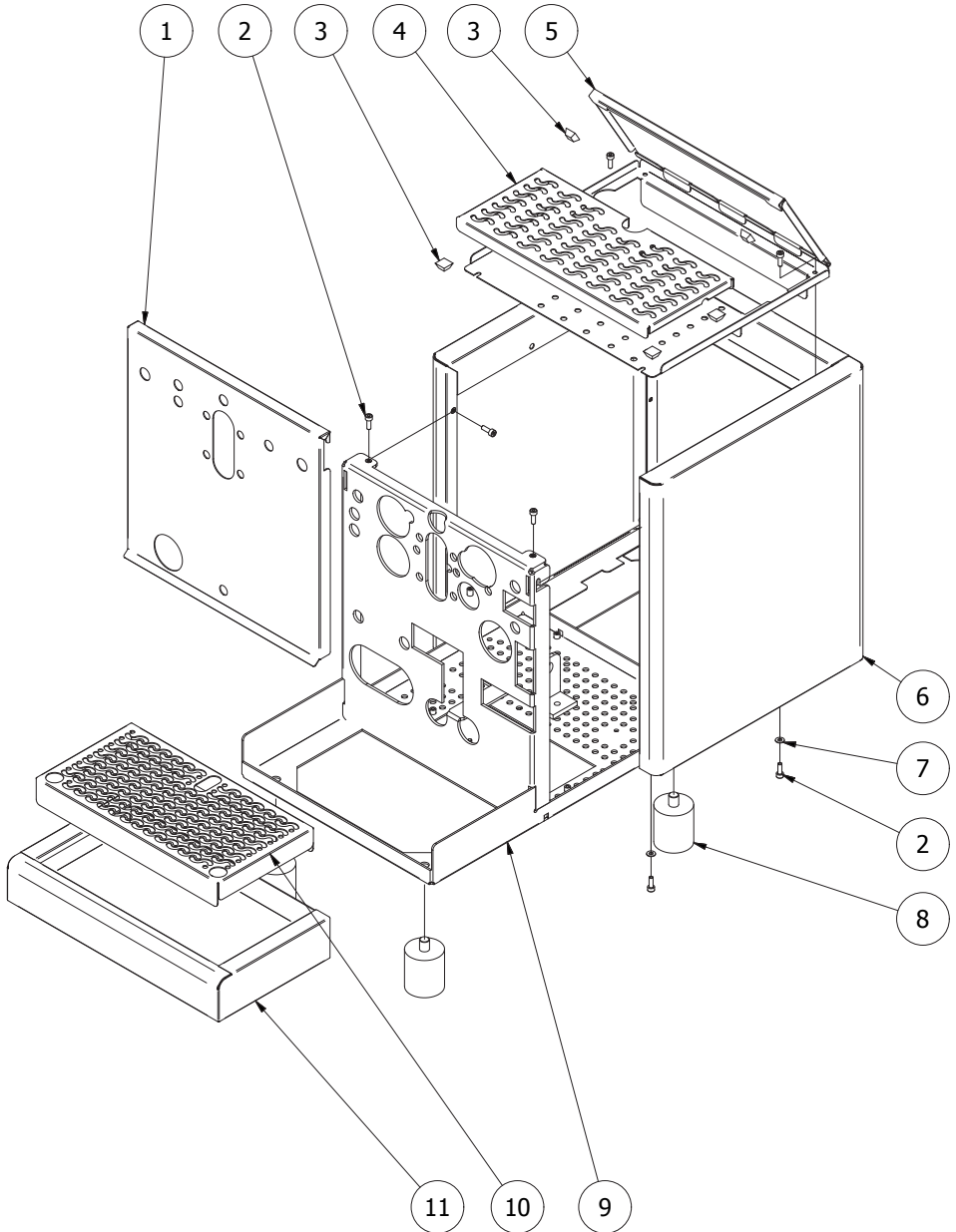
Dal 1901

**COD. 9942051.03**

**REV.00**

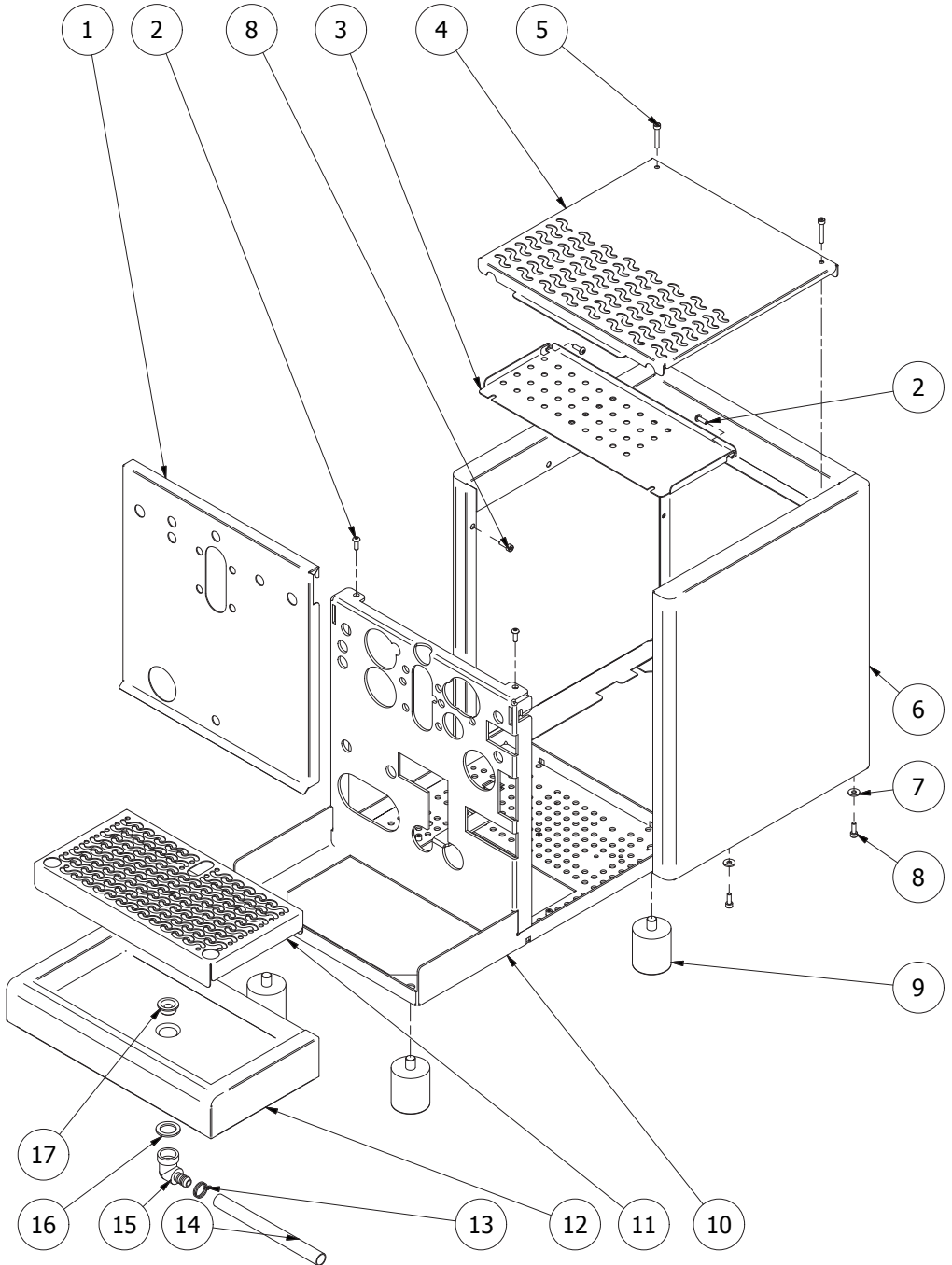


**TABLE 1**  
**Mod. S - TOP**



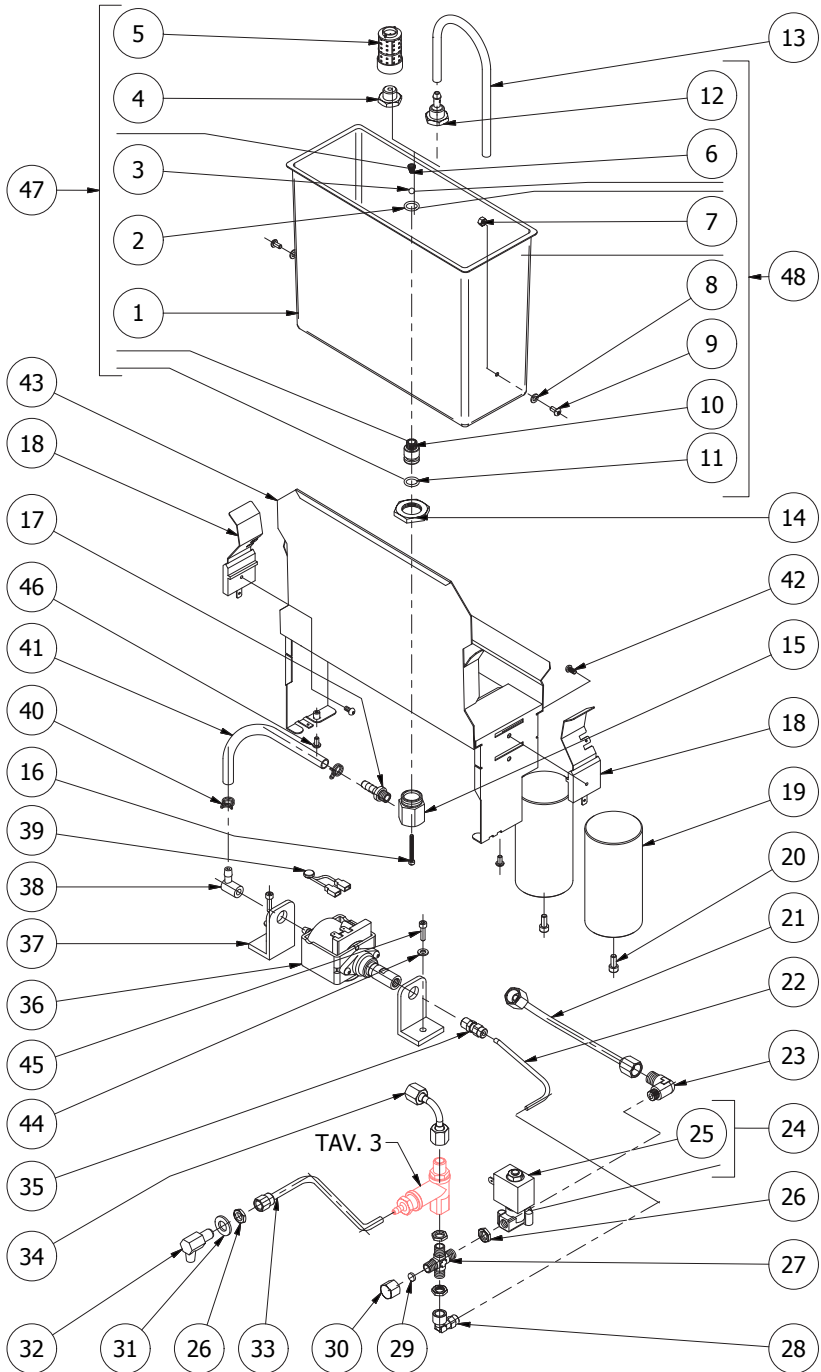


**TABLE 1A**  
**Mod. R**



	<b>POS</b>	<b>CODE</b>	<b>DESCRIPTION</b>
<b>TABLE 2 Mod. S</b>	1	7373006.01	TANK
	2	7496073	OR GASKET 115 EP856
	3	5471509	BALL 7/32" AISI 304
	4	5302065	REDUCTION GEAR 1/4"G X M10
	5	7374002	FILTER 1/4"G H43,5 PLASTIC
	6	5471521.01	COUPLING SPRING
	7	7812601	NUT M4 STAINLESS STEEL
	8	7374004	WASHER D4 NYLON
	9	7819908	SCREW TTEI M4X8
	10	5224617	GASKET-HOLDER D14.5
	11	7496076	OR GASKET 112 EPDM
	12	5224414	RUBBER-HOLDER
	13	5194540	HOSE 8X5 L=300 SILICONE
	14	5221830	NUT M20 H5 OT
	15	5225228	FITTING M20X1,25
	16	7826206	SCREW TCI M3X30 OT
	17	5225246	FITTING 1/8"G CONIC
	18	5471535	TANK SPRING
	19	5479918CT	COUNTERWEIGHT
	20	7816001	SCREW TCEI M5X12 UNI5931 A2
	21	5162237.01LL	BOILER LOAD HOSE
	22	5194596	HOSE
	23	5301504TR	UNION ELBOW 1/8"G X M12
	24	7701111	SOLENOID VALVE 2 WAY 115V PARKER
	24	7702310	SOLENOID VALVE 2 WAY 230V PARKER
	24	7702409	SOLENOID VALVE 2 WAY 240V PARKER
	25	7630327	SOLENOID VALVE COIL 110V PARKER
	25	7630328	SOLENOID VALVE COIL 220/230V PARKER
	25	7630329	SOLENOID VALVE COIL 240V PARKER
	26	5221844	NUT 1/8"G H3
	27	7304001TR	UNION 1/8"G
	28	7303034TR	UNION ELBOW 1/8"G OT
	29	5492019	GASKET D8 X 2 ASBESTOS FREE
	30	5221835	CAP NUT 1/8"G
	31	7815001	WASHER D10 UNI 6592 A2
	32	5283018CM	DRAIN FITTING FOR SURPRESSION VALVE 1/8"G CHROMED
	33	5194559LL	SURPRESSION VALVE HOSE
	34	5162236.01LL	SURPRESSION VALVE - HEAT EXCHANGER HOSE
35	7303036TR	STRAIGHT FITTING 1/8"G OT	
36	7731018	VIBRATION PUMP EX5 100V C/OR	
36	7731019	VIBRATION PUMP EX5 120V WITH OR	
36	7731022	VIBRATION PUMP EX5 220V 60HZ WITH OR	
36	7731020	VIBRATION PUMP EX5 230V WITH OR	
36	7731021	VIBRATION PUMP EX5 240V WITH OR	
37	7470602	VIBRATION-DAMPING	
38	7303006	RUBBER-HOLDER FITTING	

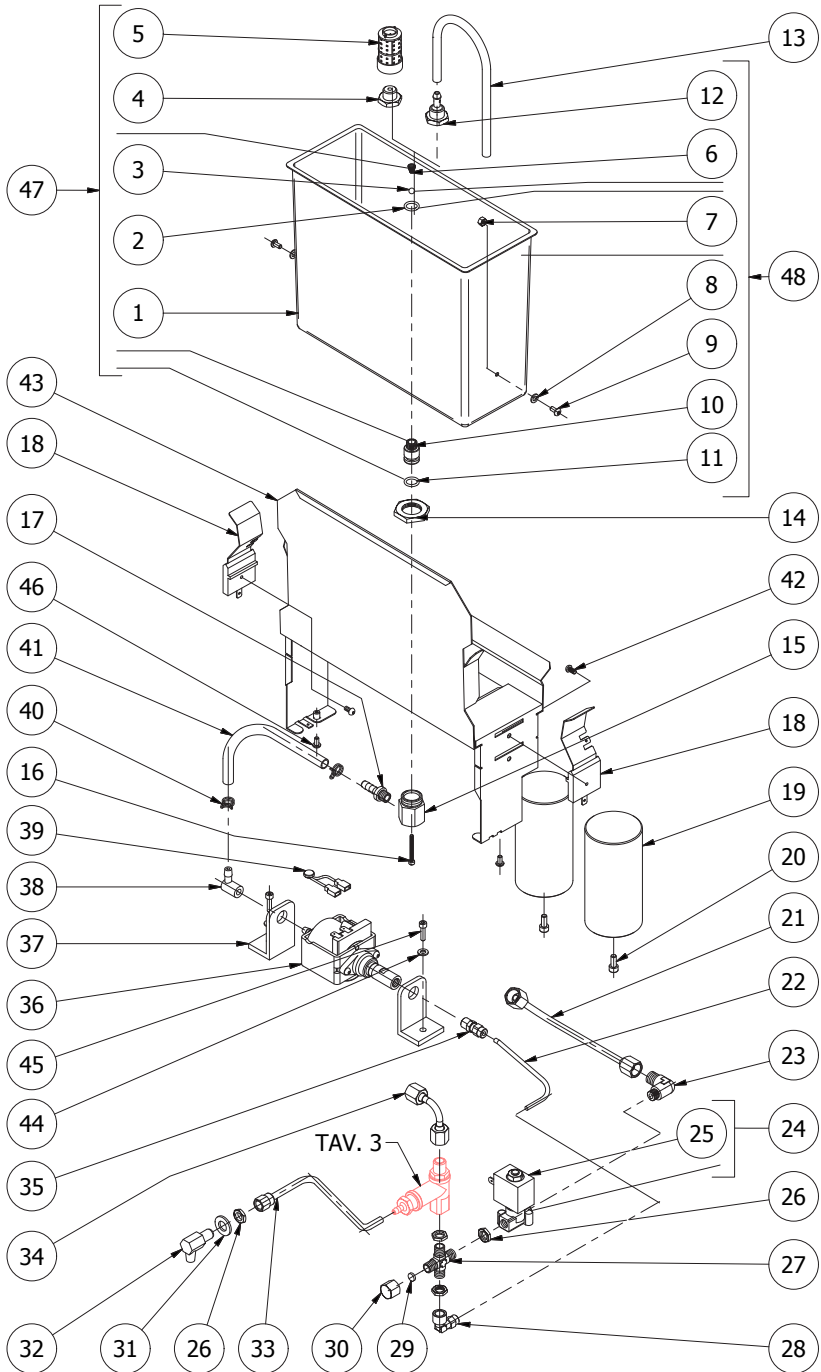
**TABLE 2**  
**Mod. S**





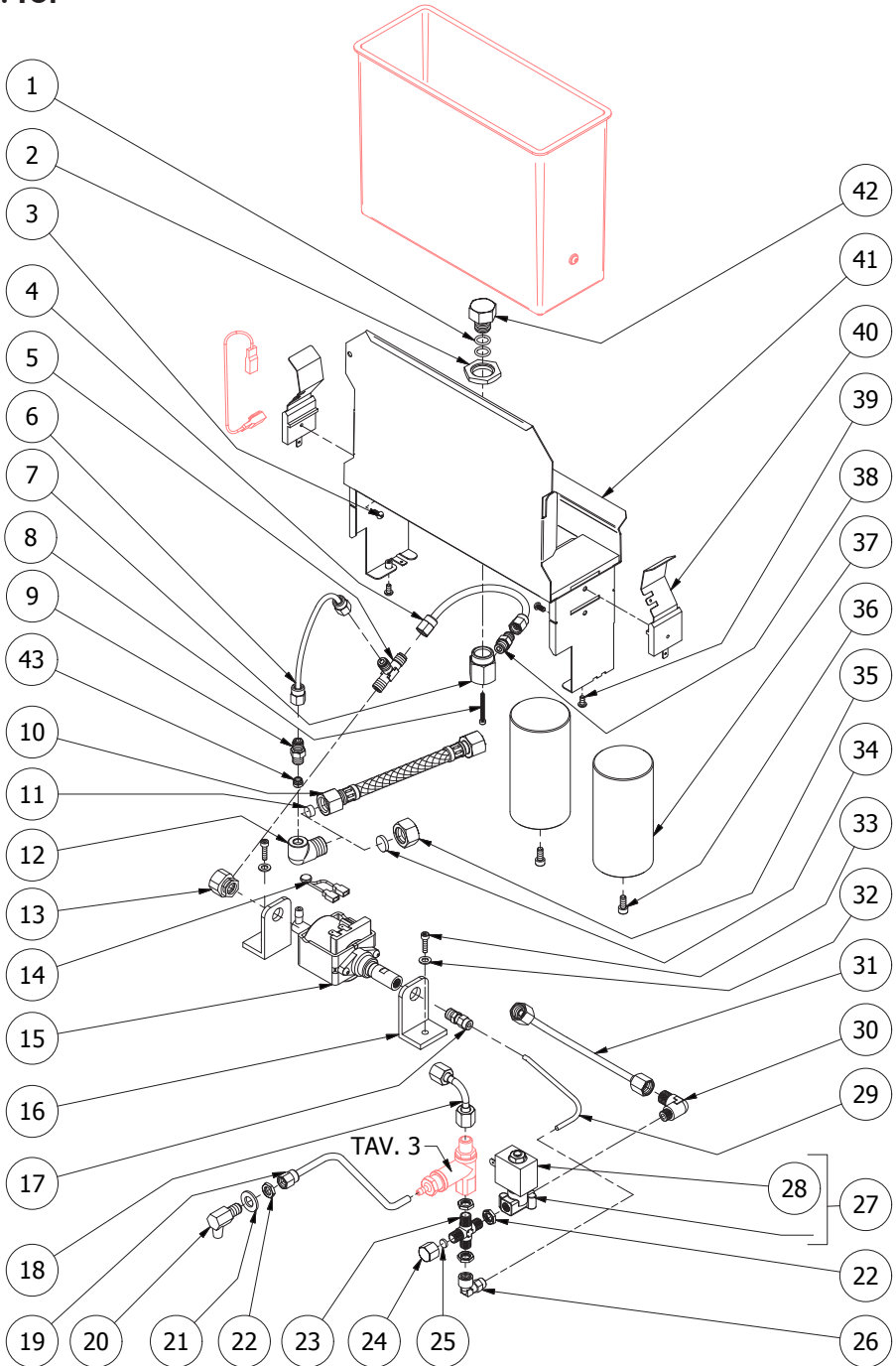


**TABLE 2**  
**Mod. S**



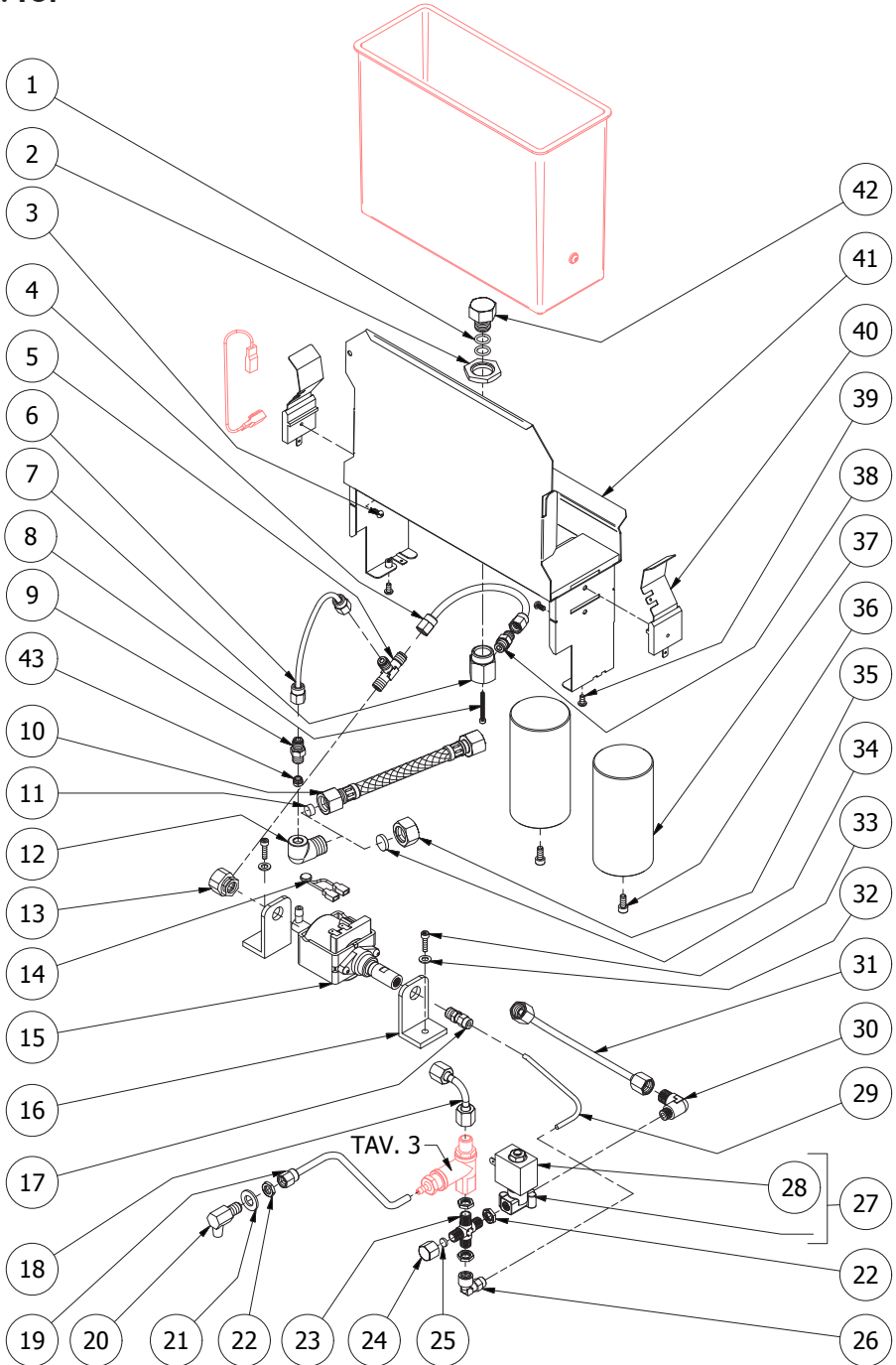
<b>POS</b>	<b>CODE</b>	<b>DESCRIPTION</b>	
<b>TABLE 2A Mod. TOP</b>	1	7496076	OR GASKET 112 EPDM
	2	5221830	NUT M20 H5 OT
	3	7809806	SCREW TC M 3,5X8 PLASTITE
	4	5194598LL	HOSE
	5	7304514TR	FITTING
	6	5194597LL	PUMP LOAD HOSE
	7	5225228	FITTING M20X1,25
	8	7826206	SCREW TCI M3X30 OT
	9	7304502LA	STRAIGHT FITTING 1/8"G OT
	10	7200512	FLEXIBLE HOSE
	11	5471032	FILTER
	12	5301519	UNION ELBOW 3/8"G
	13	5225278	FITTING
	14	7634816	THERMIC SAFETY DEVICE 100°C AUTOMATIC
	15	7731018	VIBRATION PUMP EX5 100V C/OR
	15	7731019	VIBRATION PUMP EX5 120V WITH OR
	15	7731022	VIBRATION PUMP EX5 220V 60HZ WITH OR
	15	7731020	VIBRATION PUMP EX5 230V WITH OR
	15	7731021	VIBRATION PUMP EX5 240V WITH OR
	16	7470602	VIBRATION-DAMPING
	17	7303036TR	STRAIGHT FITTING 1/8"G OT
	18	5162236.01LL	SURPRESSION VALVE - HEAT EXCHANGER HOSE
	19	5194559LL	SURPRESSION VALVE HOSE
	20	5283018CM	DRAIN FITTING FOR SURPRESSION VALVE 1/8"G CHROMED
	21	7815001	WASHER D10 UNI 6592 A2
	22	5221844	NUT 1/8"G H3
	23	7304001TR	UNION 1/8"G
	24	5221835	CAP NUT 1/8"G
	25	5492019	GASKET
	26	7303034TR	UNION ELBOW 1/8"G OT
	27	7701111	SOLENOID VALVE 2 WAY 115V PARKER
	27	7702310	SOLENOID VALVE 2 WAY 230V PARKER
	27	7702409	SOLENOID VALVE 2 WAY 240V PARKER
	28	7630327	SOLENOID VALVE COIL 110V PARKER
	28	7630328	SOLENOID VALVE COIL 220/230V PARKER
	28	7630329	SOLENOID VALVE COIL 240V PARKER
	29	5194596	HOSE
	30	5301504TR	UNION ELBOW 1/8"G X M12
31	5162237.01LL	BOILER LOAD HOSE	
32	7805009	PLAIN WASHER D5 X 11 X 1	
33	7816004	SCREW TCEI M4 X 16	
34	5492011	GASKET D15X3	
35	5221819	CAP NUT 3/8"G	
36	7816001	SCREW TCEI M5X12 UNI5931 A2	
37	5479918CT	COUNTERWEIGHT	
38	7304502TR	STRAIGHT FITTING 1/8"G OT	

**TABLE 2A**  
**Mod. TOP**





**TABLE 2A**  
**Mod. TOP**





**TABLE 2B**  
**Mod. R**

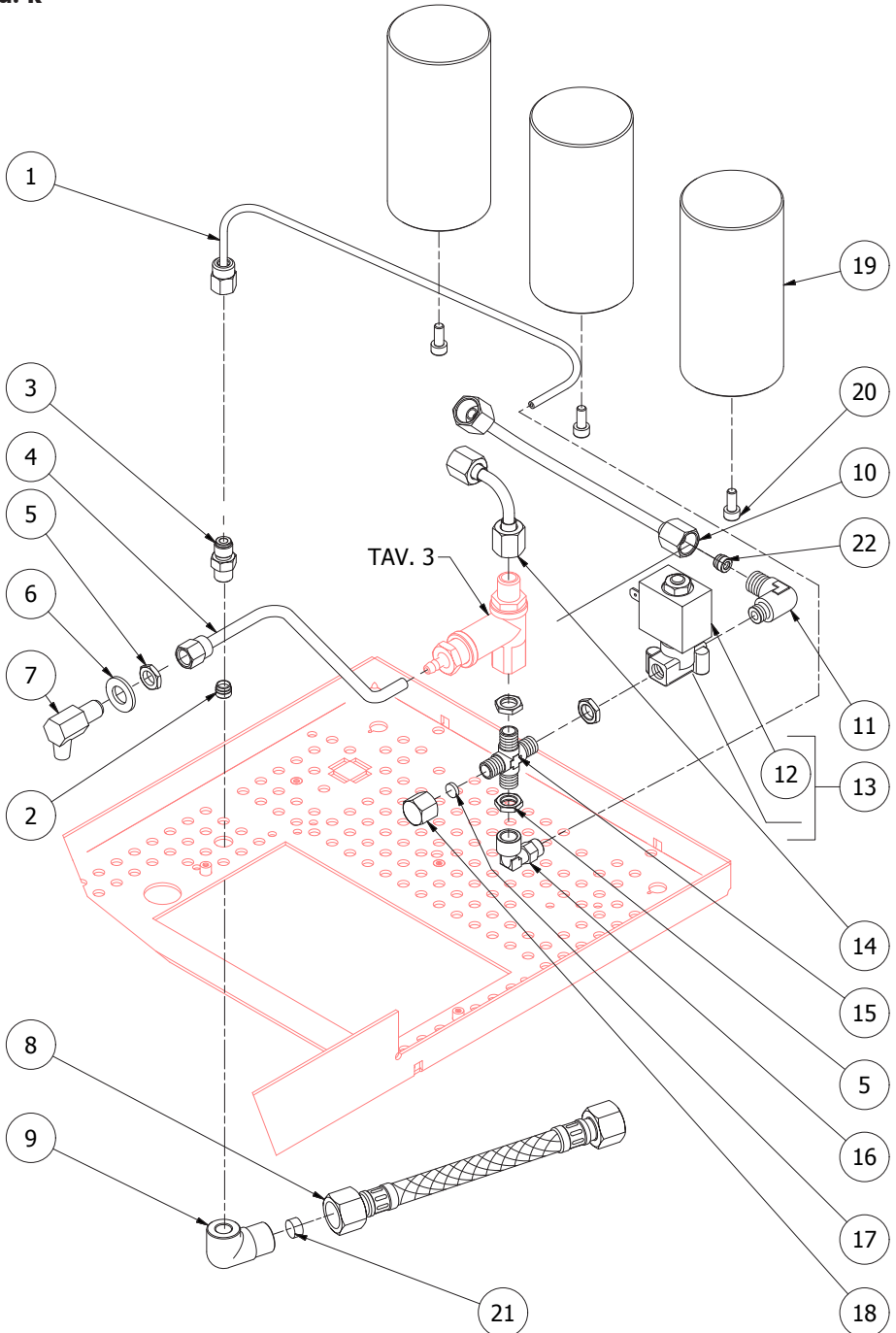






TABLE 3 (up to 30.10.12)

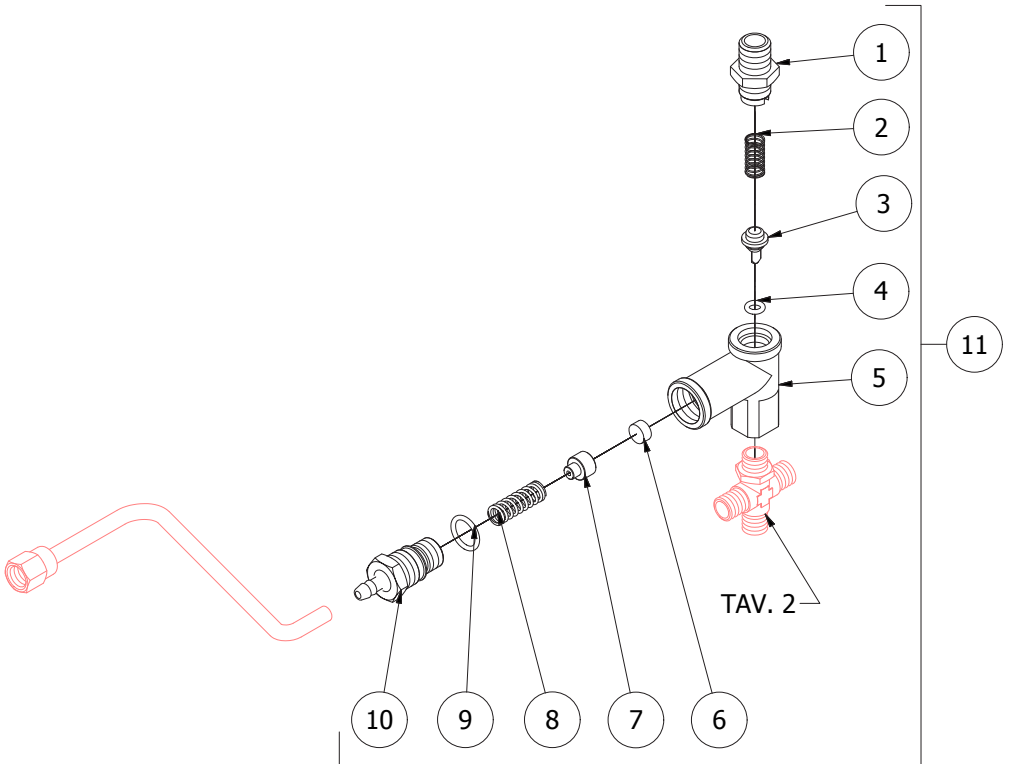
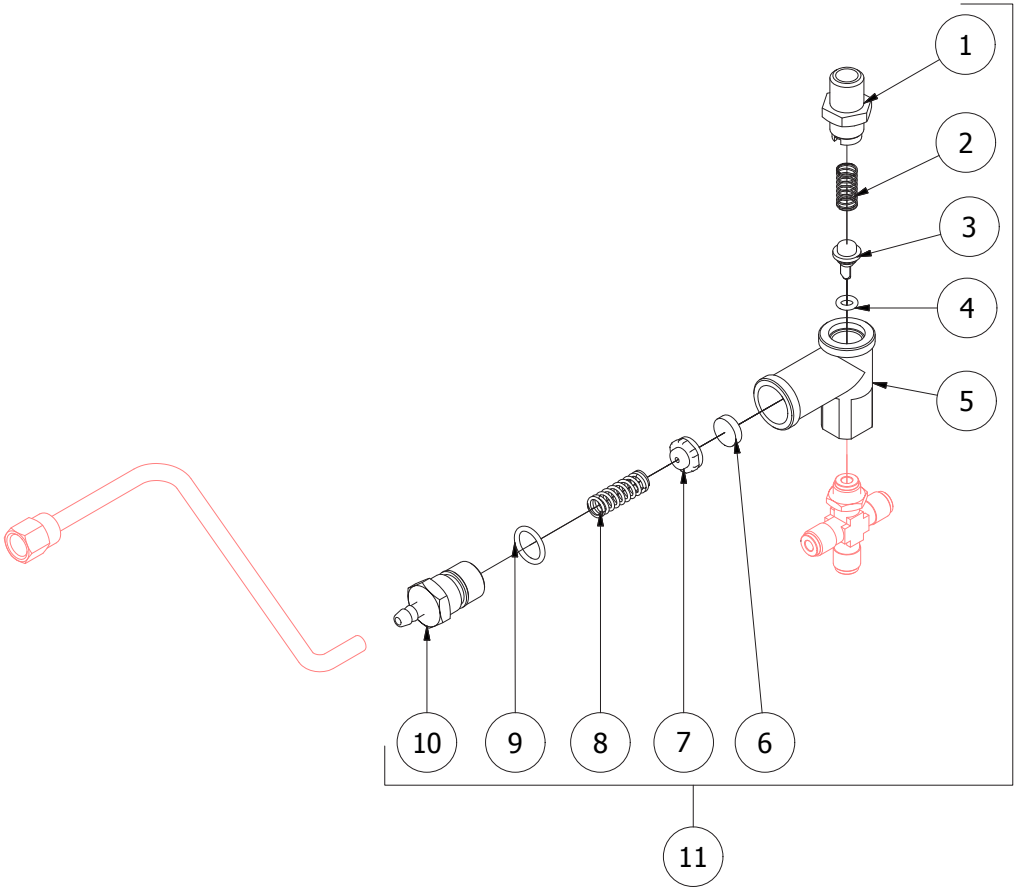


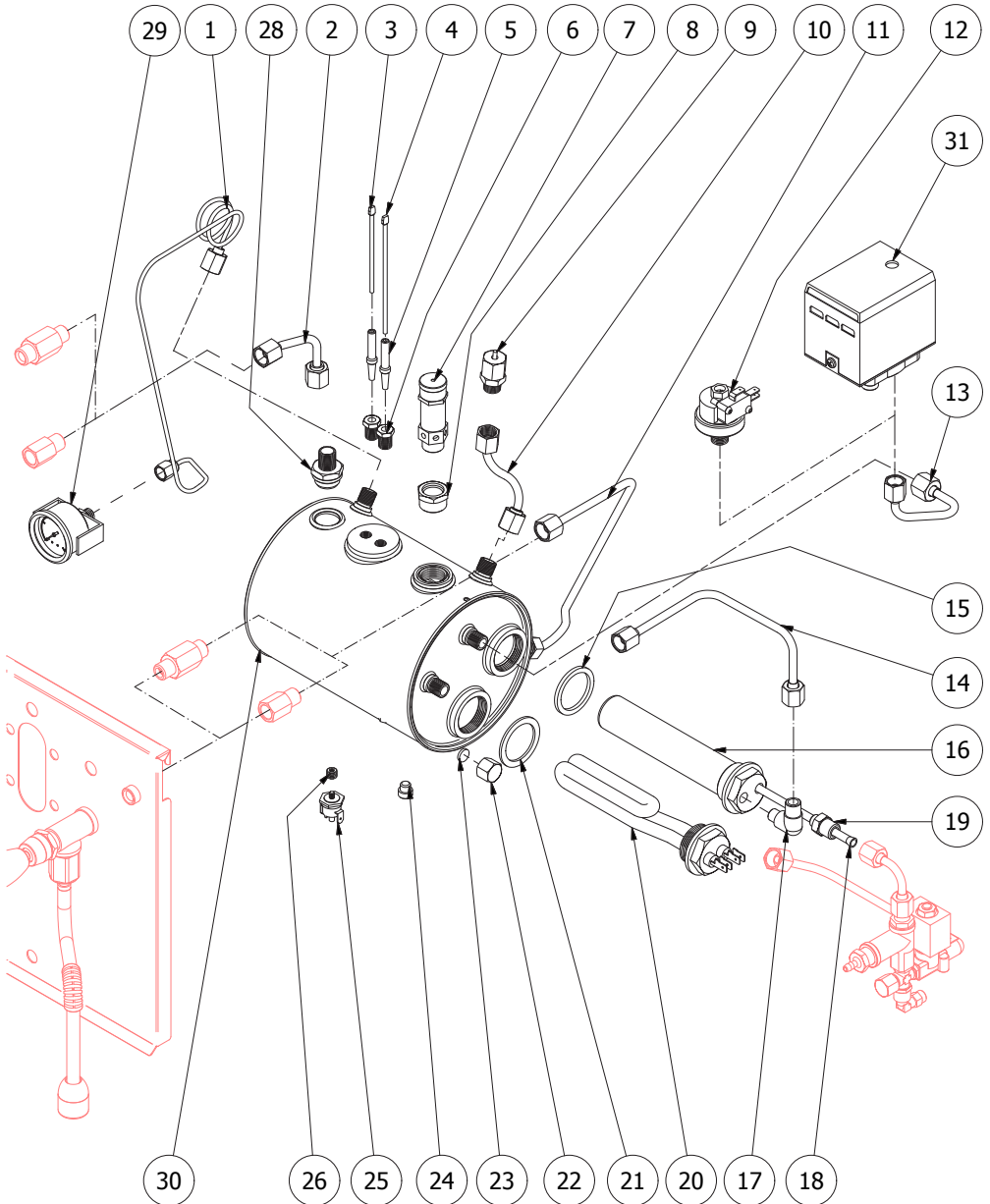


TABLE 3 (from 31.10.12)





**TABLE 4**



	<b>POS</b>	<b>CODE</b>	<b>DESCRIPTION</b>
<b>TABLE 5</b>	1	5373915CM	KNOB CHROME CAP
	2	7371502	KNOB POLISHED
	3	5263202CM	LEVER CHROMED
	4	5471538	SPRING
	5	5260201	SHAFT
	6	5224201	PISTON
	7	7491001	LIP SEAL D51 X 41 X 8 NBR
	8	7816015	SCREW TCEI M8X25
	9	5163284CM	HOSE
	10	7613007	FAIRLEAD M17V
	11	7493017	INSULATING
	12	7634808	THERMIC SAFETY DEVICE 250V 95°C AUTOMATIC
	13	5302009	STRAIGHT FITTING M12 X 1/4" G H24 OT
	14	5963097.01	ASSEMBLY HEATING ELEMENT 110V
	14	5963098.01	ASSEMBLY HEATING ELEMENT 220/240V
	15	7493020	UNDERCUP GASKET
	16	5470512	SHOWER D58X19
	17	5283052TW	LEVER GROUP BODY
	18	5221863CM	CAP NUT M8 CHROMED
	19	5471537	SPRING D46 X 130 INOX
	20	7816004	SCREW TCEI M4 X 16
	21	5473002.01	BOTTOM VIBRATION DAMPER
	22	5287507	BEARING SLIDE HEAD
	23	5963110.01	MICROSWITCH WIRED (only TANK-TOP version)
	24	7826203	SCREW TCI M3X14 (only TANK-TOP version)
	25	5473001	UPPER VIBRATION DAMPER
	26	5244007CN	STUD D9 X 29 CARBONITRIDED
	27	5284501.01NC	GROUP FORK OT NICKEL-PLATED
	28	5287003NC	ARTICULATION M16 OT NICKEL-PLATED
	29	5244006	STUD D11 X 61
	30	7471801	BALL BEARING D35 X 10 X 11
	31	7800601	RING D9 UNI 7434 R150
	32	7817401	SCREW TCS M5X8
	33	5370604CM	LEVER GROUP CAP
	34	5963563	ASSEMBLY GROUP WITHOUT LEVER 110V (only TANK-TOP VERSION)
	34	5963562	ASSEMBLY GROUP WITHOUT LEVER 220/240V (only TANK-TOP VERSION)
	34	5963566	ASSEMBLY GROUP WITHOUT LEVER 110V (only WATER SUPPLY VERSION)
	34	5963567	ASSEMBLY GROUP WITHOUT LEVER 220/240V (only WATER SUPPLY VERSION)
	35	5283052.01R	GROUP BODY CHROMED + GASKET + SHOWER
	36	5371205	PLATE WITH LOGO
	37	5371204	PLUG CHROMED
	38	7816026	SCREW TCEI M12X60
39	5371203	HANDLE	
40	7809806	SCREW TC M3.5X8	
41	5263203CM	LEVER CHROMED	
42	7812802	DOWEL M5	

TABLE 5

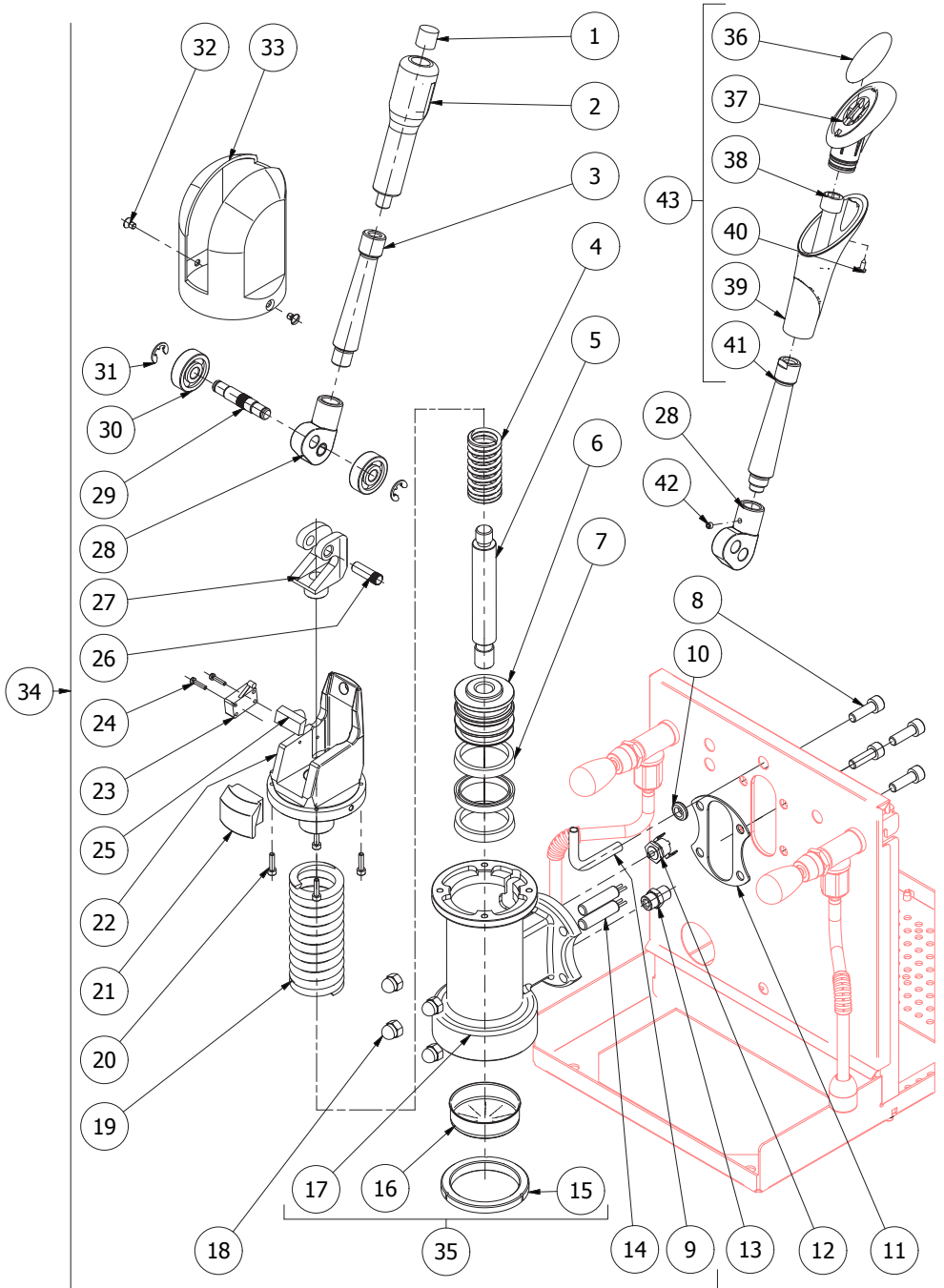






TABLE 5

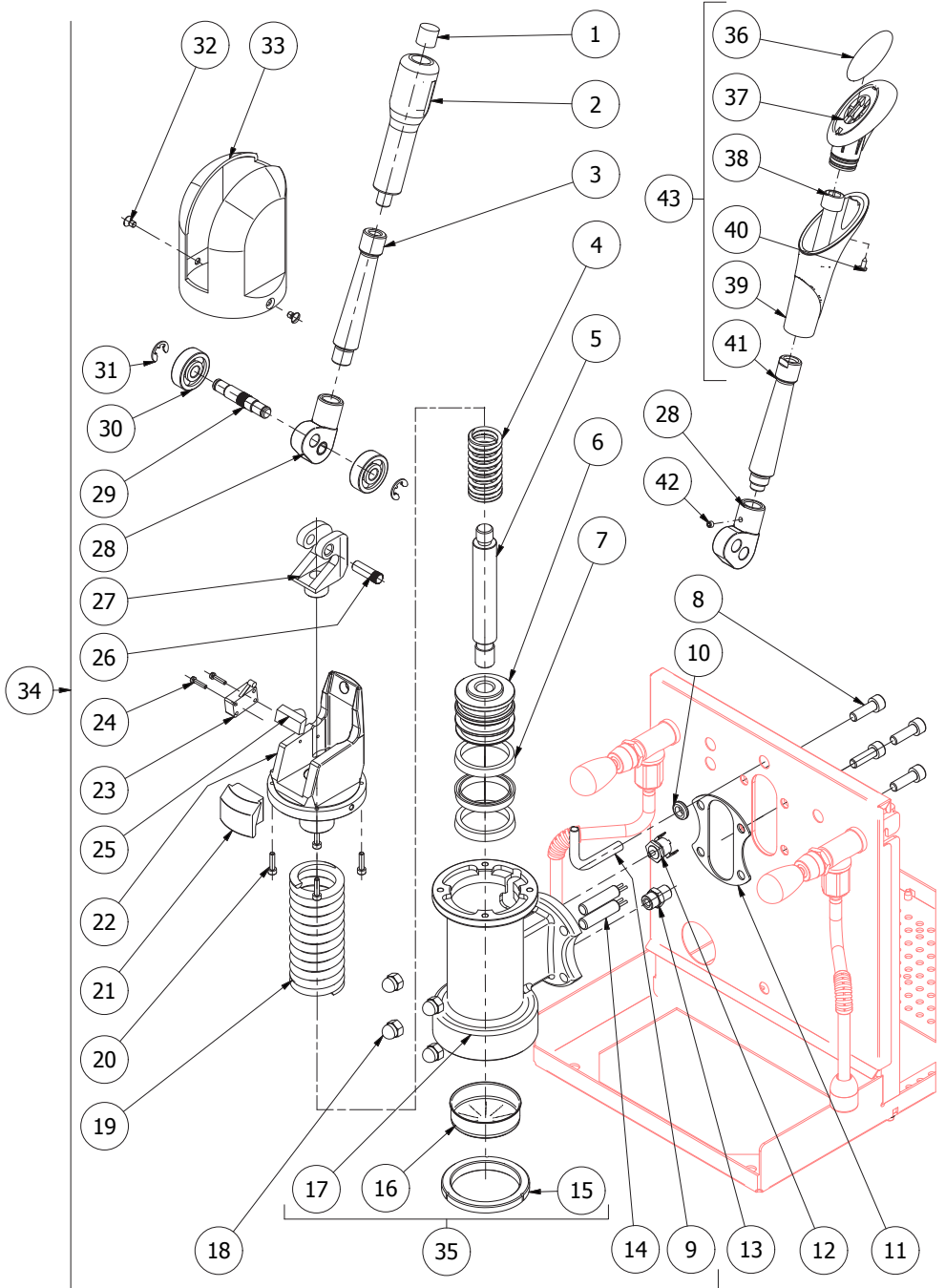




TABLE 6 (up to 20.09.11)

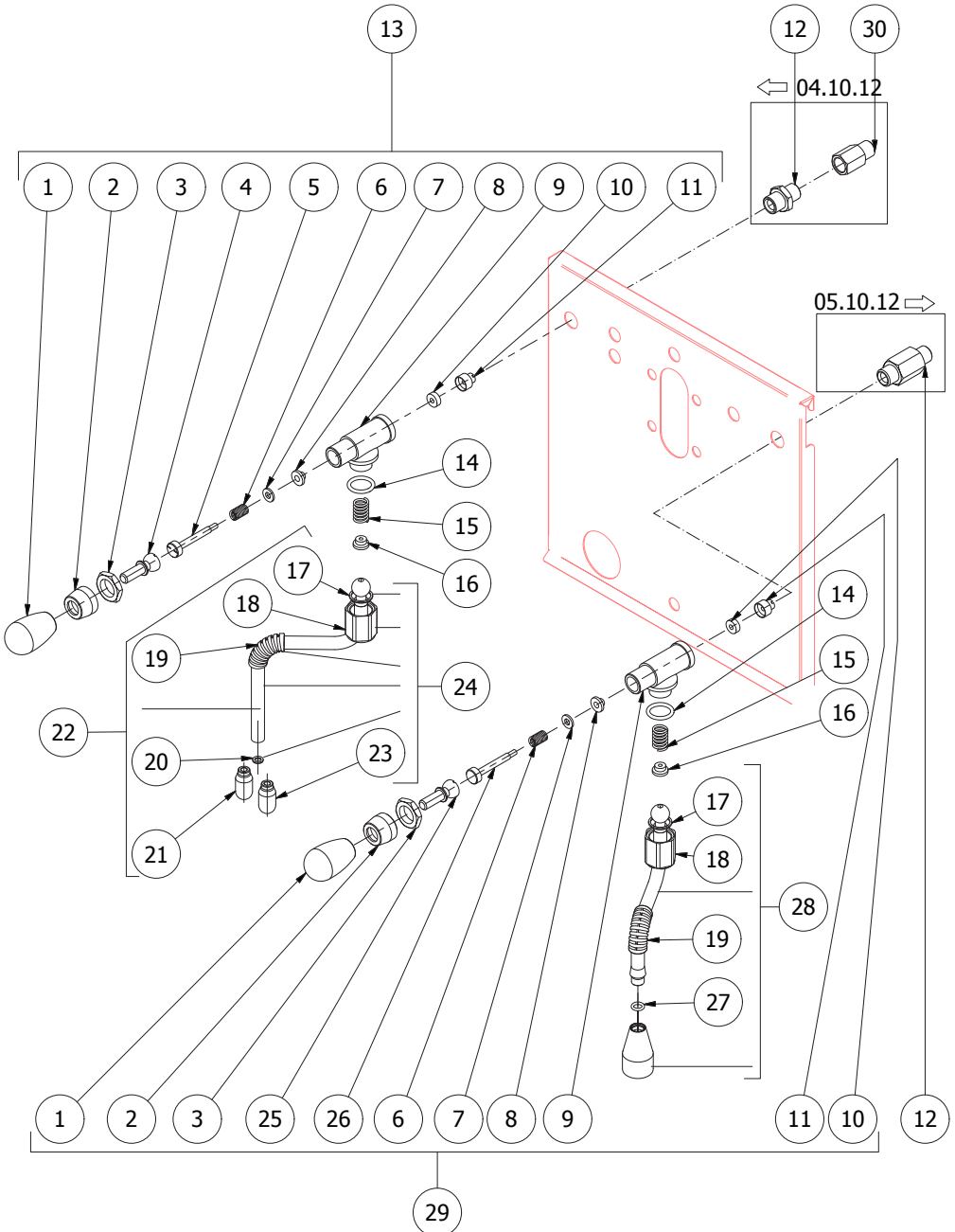




TABLE 6 (up to 28.01.14)

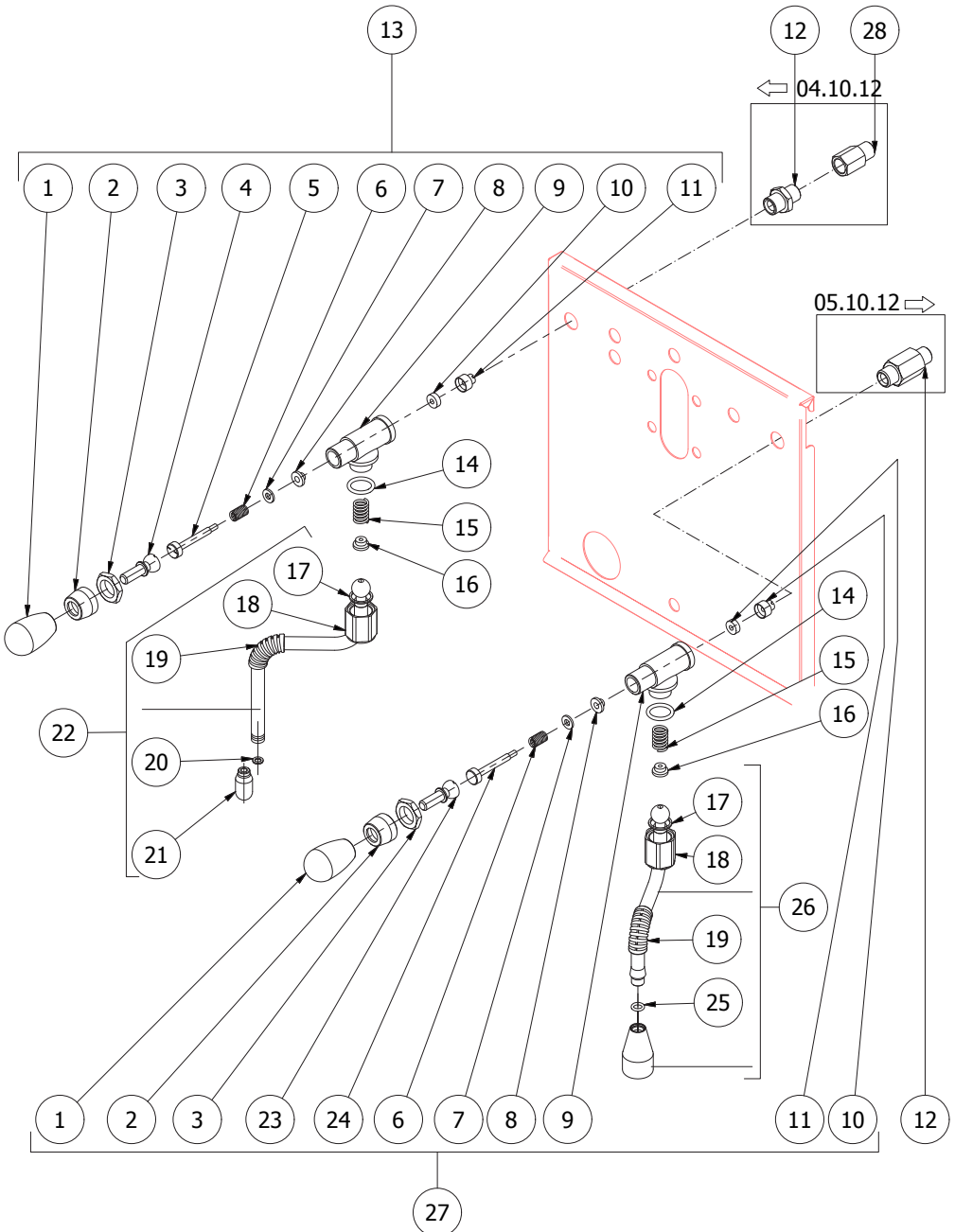




TABLE 6 (from 29.01.14)

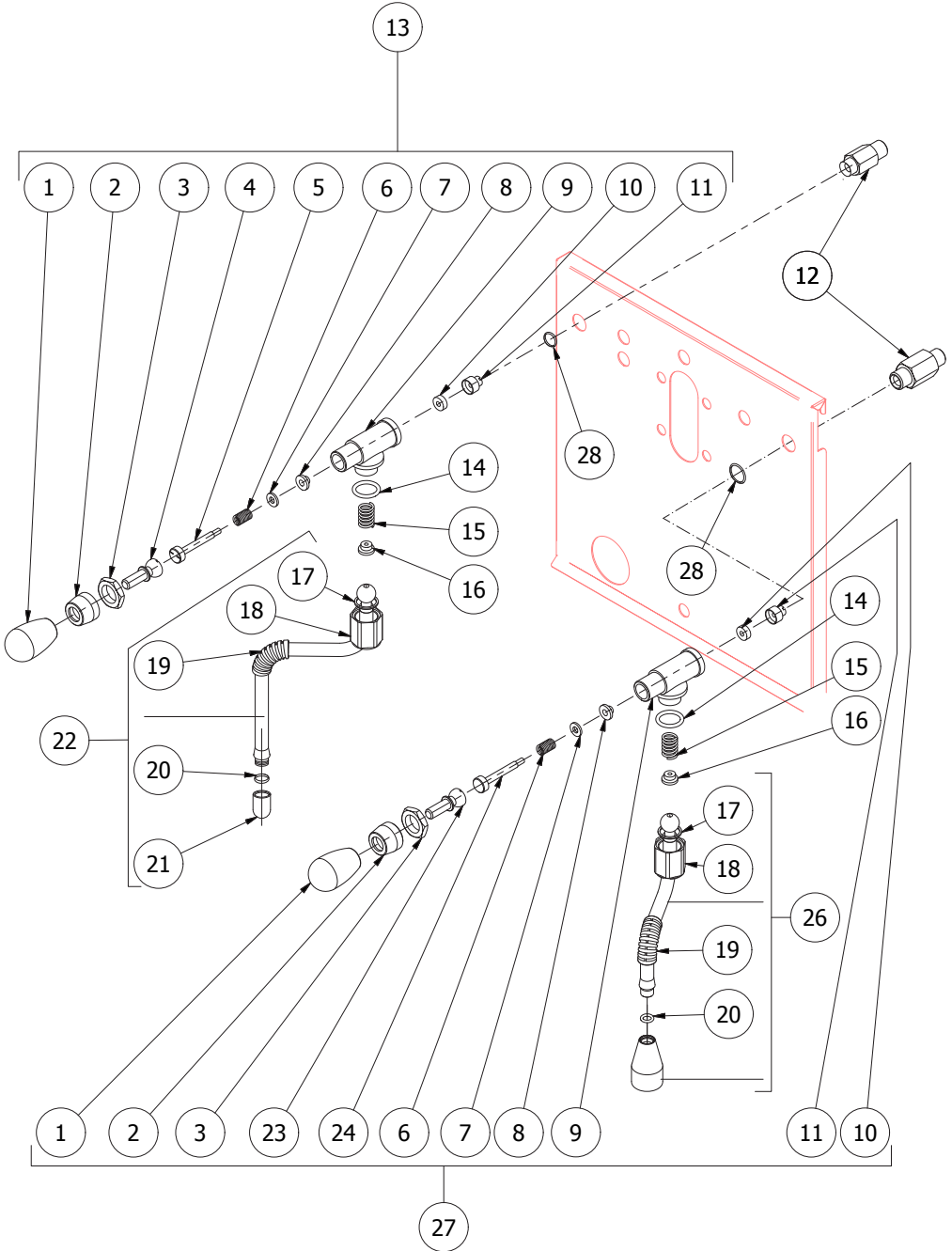
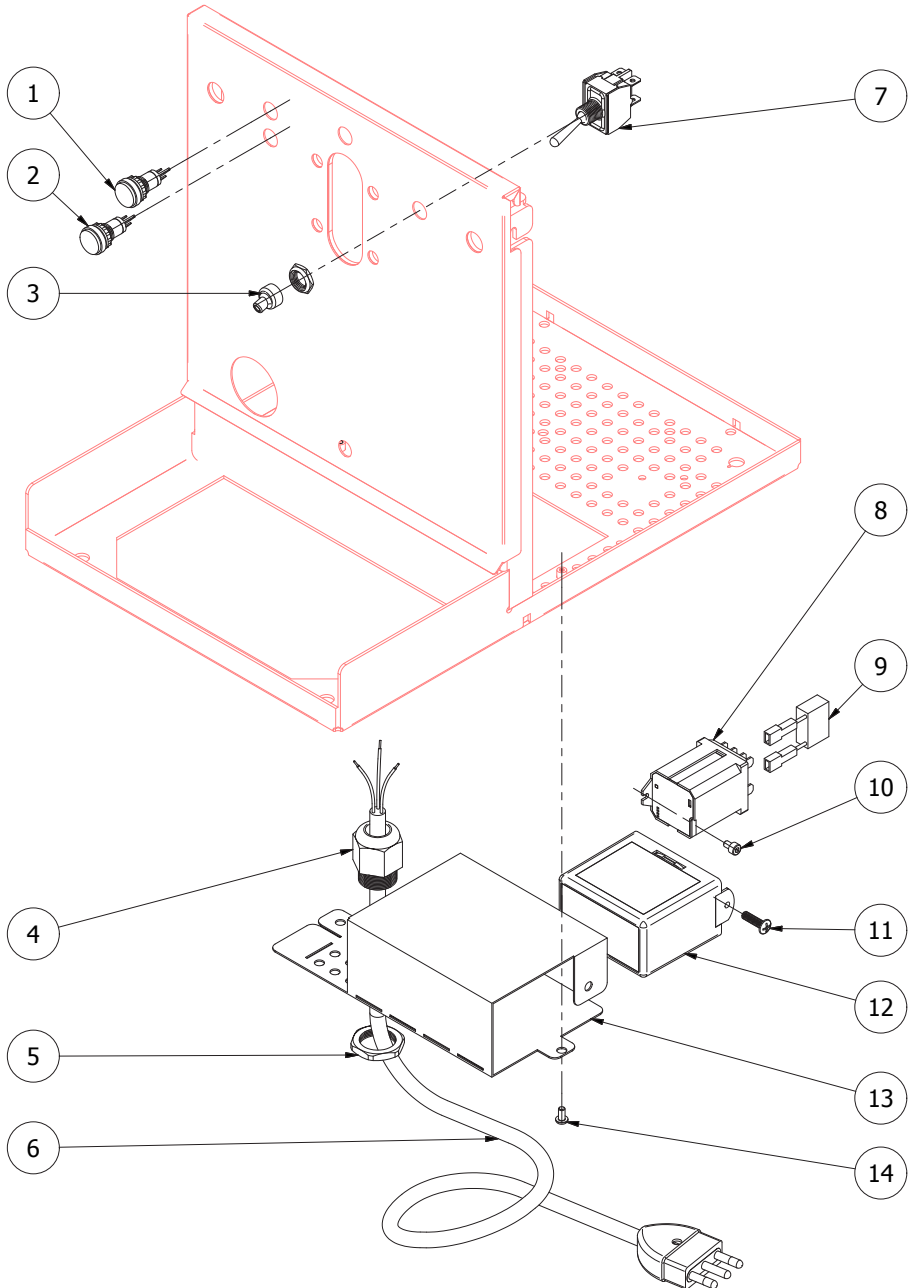






TABLE 7





**TABLE 8 (up to 02.12.12)**

POS	CODE	DESCRIPTION
1	5286017TW	FILTER-HOLDER
2	5471527	FILTER-HOLDER SPRING D1.2 AISI 302
3	7371502	KNOB POLISHED
4	5471021.01	FILTER 2 CUPS 12 GRAMS WITH RUN CHANNEL
4	5471026.01	FILTER 2 CUPS 14 GRAMS WITH RUN CHANNEL
5	7305007TW	SPOUT 2 WAY
6	5373915CM	KNOB CHROME CAP
7	5471031.01	FILTER 1 CUP 8 GRAMS WITH RUN CHANNEL
8	5372101	MEASURER
9	5373001	COFFEE-PRESS
10	7990603	CLEANING BRUSH
11	7305006TW	SPOUT 1 WAY
12	5965582R	ASSEMBLY FILTER-HOLDER 2 CUPS
13	5965581R	ASSEMBLY FILTER-HOLDER 1 CUP

TABLE 8 (up to 02.12.12)

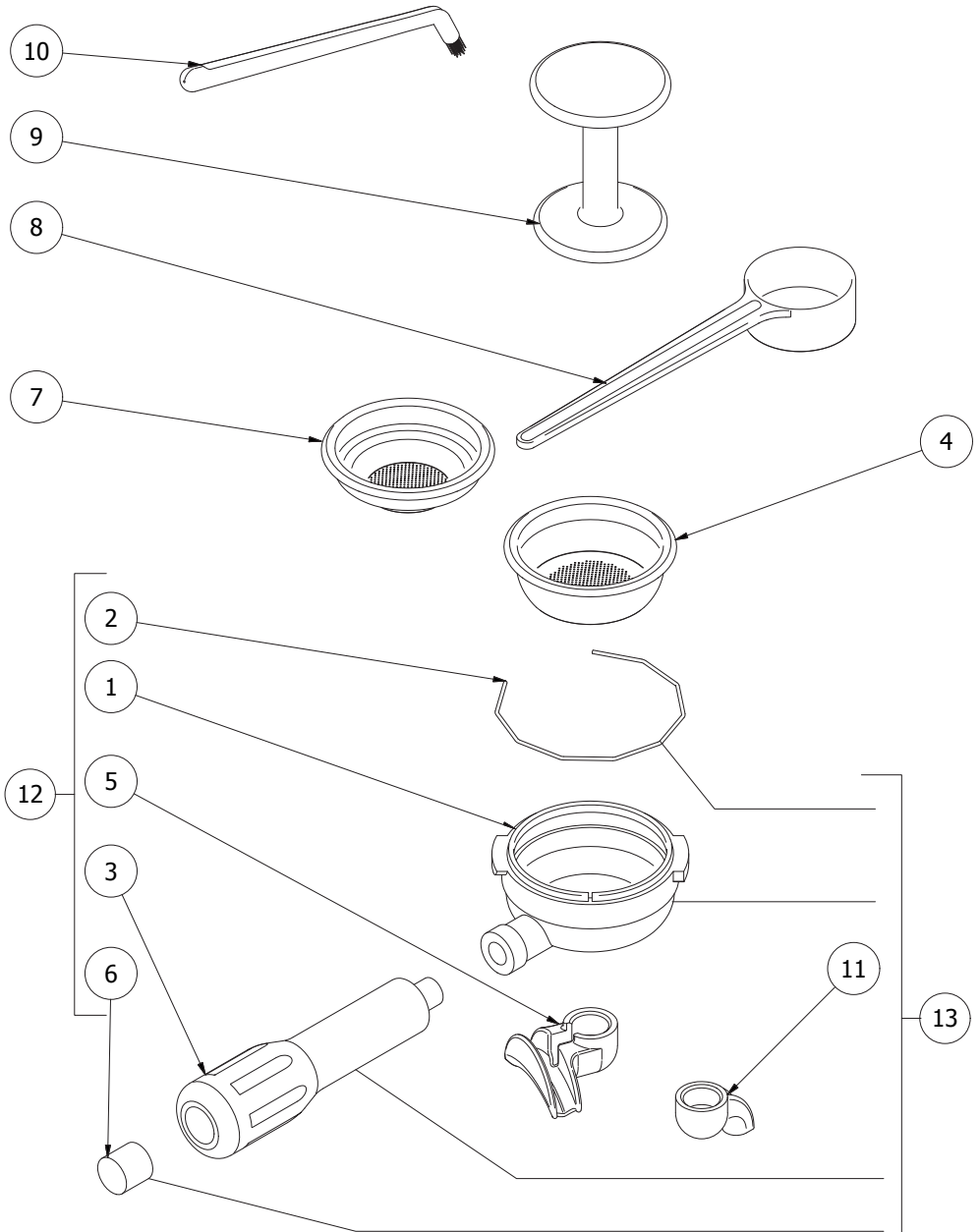
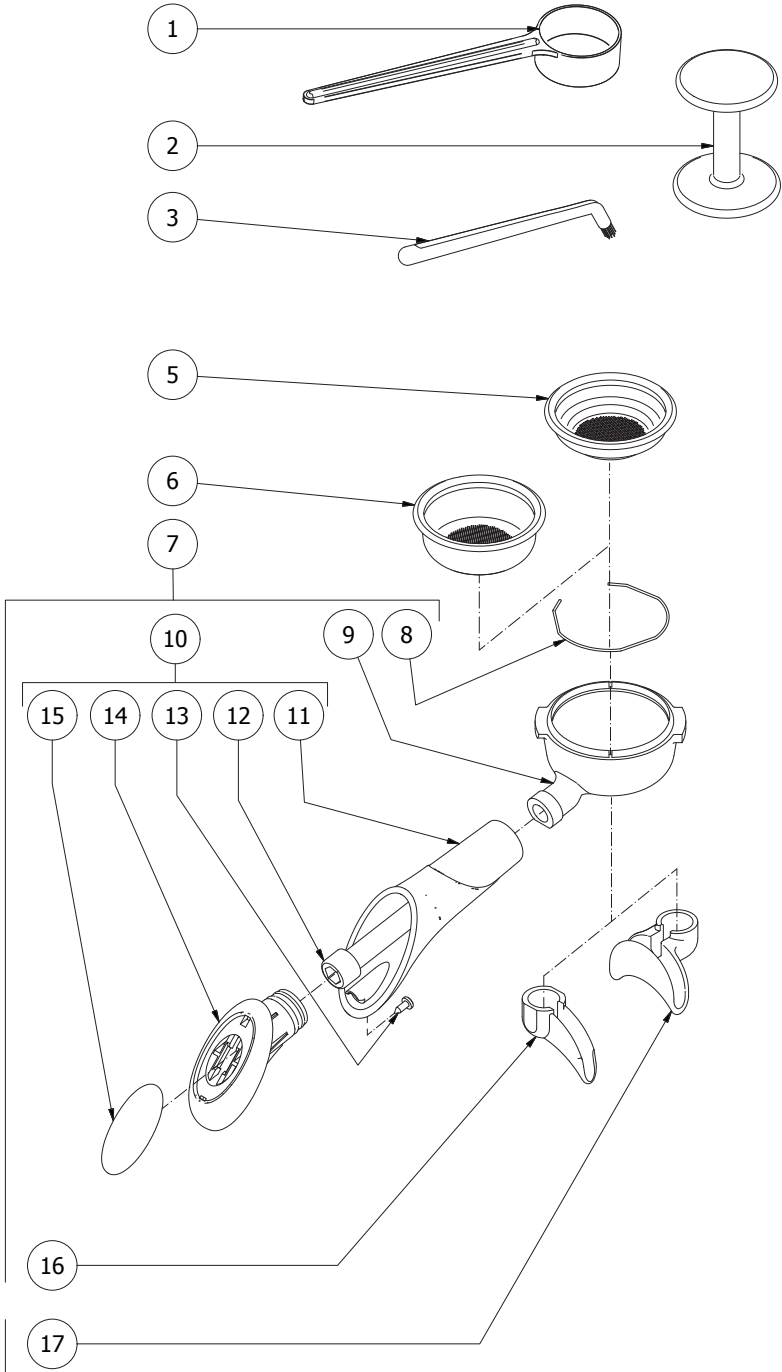




TABLE 8 (from 03.12.12)





**BEZZERA**

**Dal 1901**

G.BEZZERA

MACCHINE PER CAFFE' ESPRESSO

Via Luigi Bezzera,1

20088 Rosate - Milano - Italy

Tel. 02 90848102 r.a. - Telefax 02 90870287

Web: [www.g.bezzera.it](http://www.g.bezzera.it)

e-mail: [commerciale@bezzera.it](mailto:commerciale@bezzera.it)