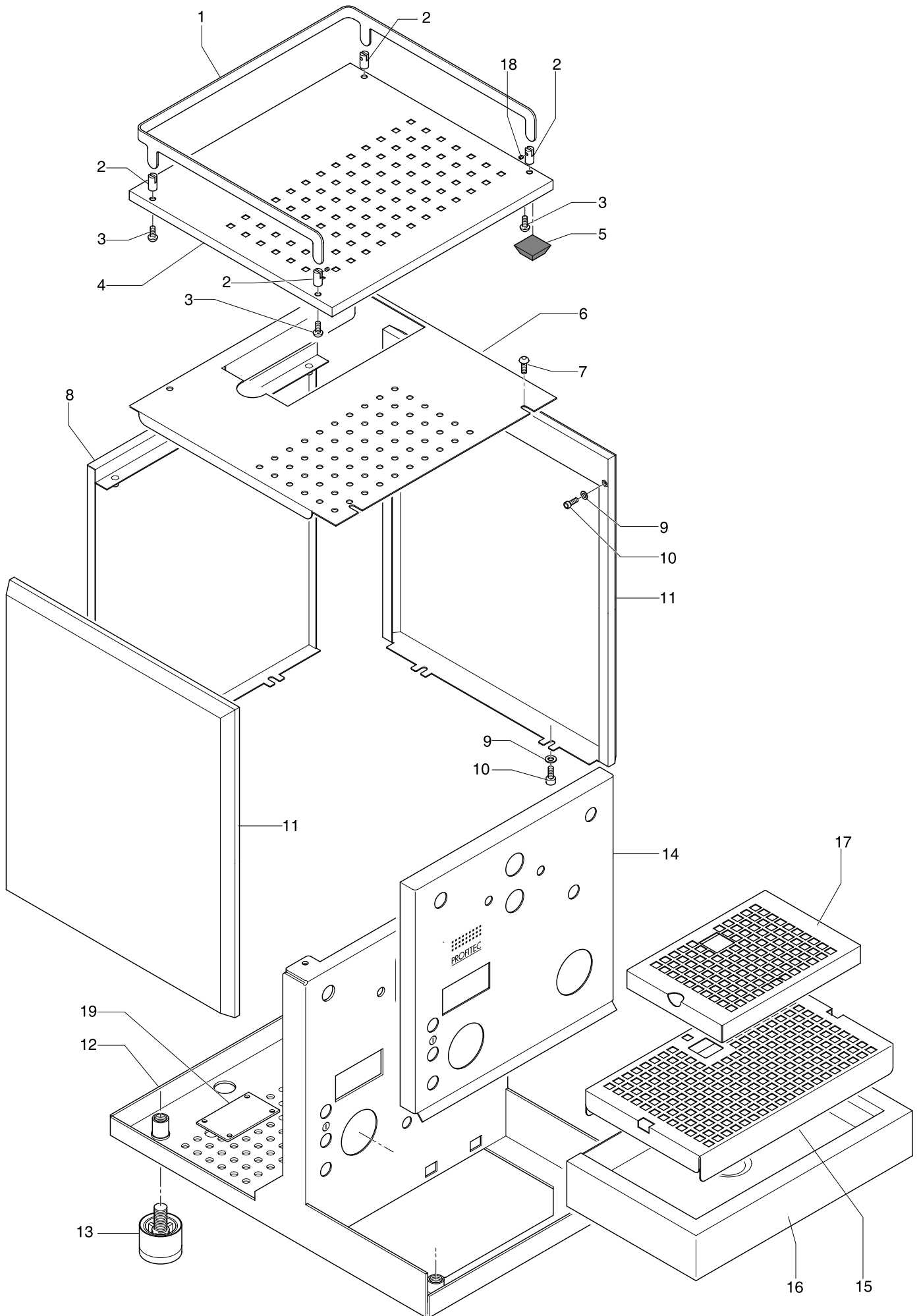


PRO 700

Ersatzteile
Parti di Ricambio

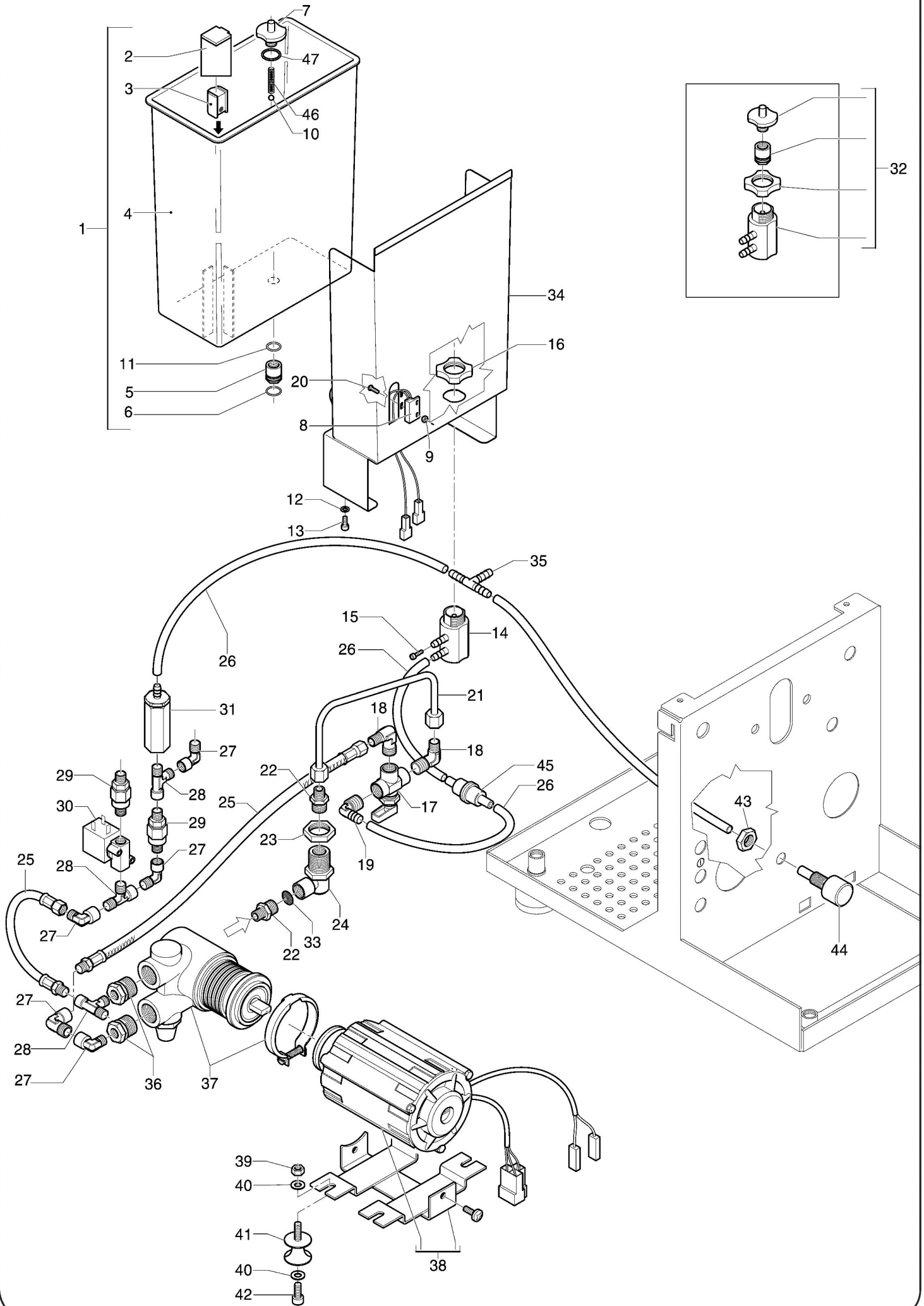
Drawing 01



Pro 700 - Table 1

Pos.	Artikelnr./ item no./ num.art.	Bezeichnung	Description	Descrizione	Preis/ price/ prezzo in €
1	P2115	Reling	Railing	Spondina	32,00
2	P8104	Pfosten Reling	Post reling	Supporto Spondina	3,95
3	B7826212	Schraube Zylinderkopf M4x6	Screw cylinder M4x6	Vite M4x6	0,15
4	P2118	Tassenablage oben	Upper cup warming tray	Scalda tazze sopra	76,18
5	B7474212	Fuß Tassenablage	Adhesive foot for cup warming tray	Piedino adesivo	0,69
6	P2119	Tassenablage unten	Lower cup warming tray	Scaldatazze inferiore	74,39
7	P2022	Schraube Linsenkopf M4x10	Lens screw M4x10	Vite Bombata M4x10	0,11
8	P2116	Rückwand	Rear panel	Pannello Posteriore	79,00
9	P6100	Unterlegscheibe 4,3x12,0x1,0	Washer 4,3x12,0x1,0	Rondella piana 4,3x12,0x1,0	0,10
10	P2006	Schraube Zylinderkopf M4x10	Screw cylinder M4x10	Vite M 4x10	0,12
11	P2117	Seitenwand links/rechts	Side panel left/right	Spalla sinistra/diritto	89,00
12	P2110	Rahmen/Chassis	Chassis	Basamento	108,28
13	P7025	Fuß h=30, M10	Foot h=30, M10	Piedino inox	6,90
14	P2113	Frontblech	Front panel	Frontalino	30,50
15	P2114	Gitter Wasserauffangschale	Grid trip tray	Griglia bacinella	24,95
16	P2111	Wasserauffangschale	Drip tray	Bacinella	119,50
17	P2122	Höhengitter Wasserauffangschale	Height grid	Grid altezza	18,90
18	P6107	Gewindestift M3x4	Headless screw M3x4	Vite a brugola M3x4	0,08
19	P2110.3	Abdeckung Chassis	Chassis cover	Copertura dello chassis	10,90

Drawing 02



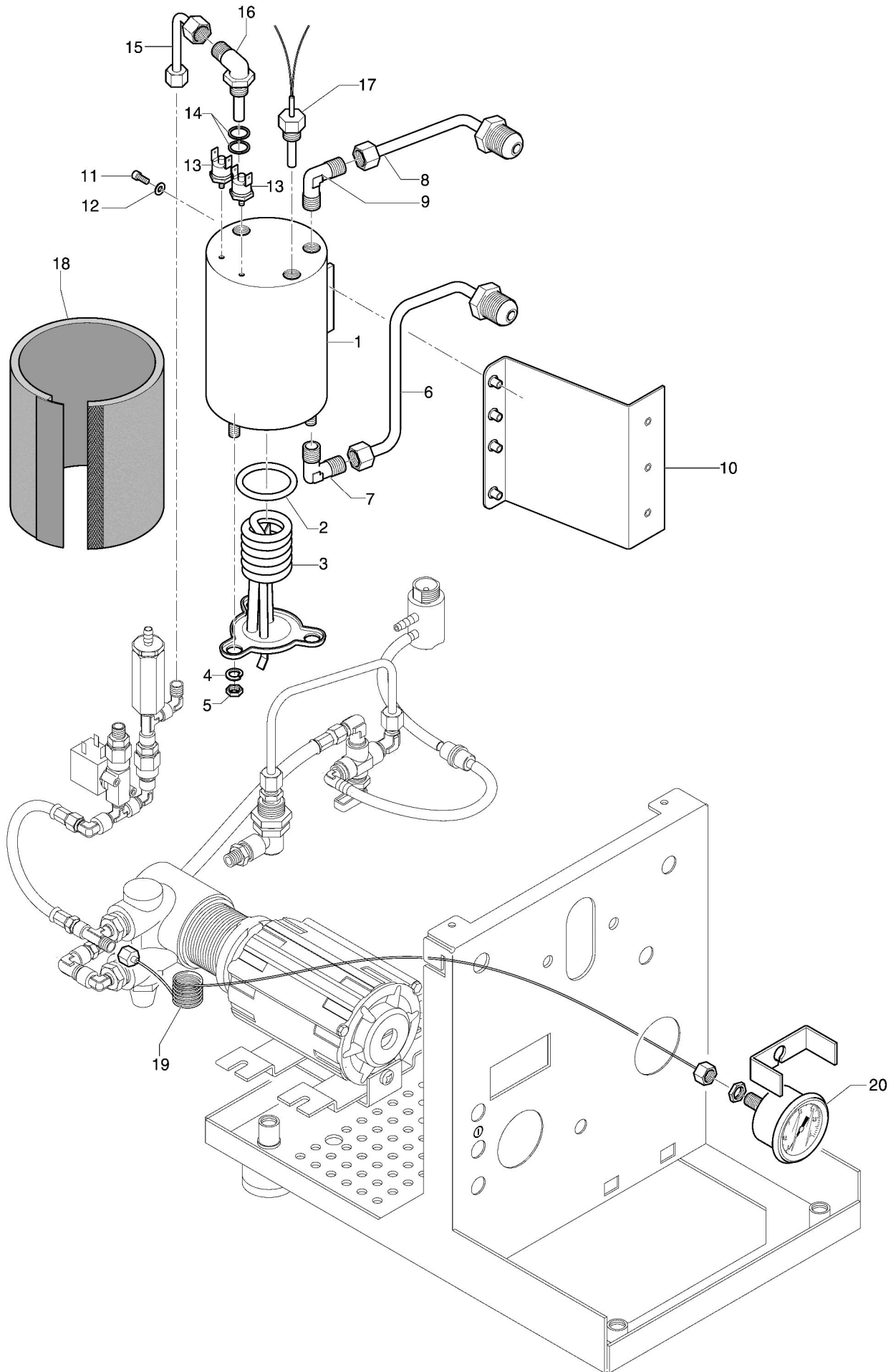
Pro 700 - Table 2

Pos.	Artikelnr./ item no./ num.art.	Bezeichnung	Description	Descrizione	Preis/ price/ prezzo in €
1	P9010K1.KW	Wassertank komplett weiß	Water tank complete white	Serbatoio completo bianco	36,90
2	P6016.W	Wassertank Stöpsel weiß	Water tank plug white	Tappo per serbatoio bianco	1,85
3	P6021	Reed Schwimmer	Reed swimmer	Galleggiante float	3,90
4	P9010.W	Wassertank	Water tank	Serbatoio	25,00
5	P6020.KW2	Wassertankadapter Nr. 2 W (nur komplett erhältlich => P6020.KW)	Water tank adapter 2 (only available as a complete => P6020.KW)	Adattatore contenitore dell'acqua 2 (disponibile solo come completo => P6020.KW)	3,45
6	P6020.3	O-Ring Wassertankadapter unten	OR water tank adapter lower	OR adattatore di seguito	0,29
7	P6020.KW1	Wassertankadapter Nr. 1 W (nur komplett erhältlich => P6020.KW)	Water tank adapter 1 (only available as a complete => P6020.KW)	Adattatore contenitore dell'acqua 1 (disponibile solo come completo => P6020.KW)	3,45
8	P6022	Reed Sensor	Reed sensor	Sensore reed	9,76
9	P2019	Mutter M3	Nut M3	Dado M3	0,09
10	B5471509	Kugel 7/32"	Ball 7/32"	Sfera 7/32"	0,45
11	P6025	O-Ring Wassertankadapter Mitte	OR water tank adapter middle	OR centro adattatore	0,10
12	P2009	Unterlegscheibe 4,3x9,0x0,8	Washer 4,3x9,0x0,8	Rondella piane 4,3x9,0x0,8	0,10
13	P2006	Schraube Zylinderkopf M4x10	Screw cylinder M4x10	Vite M4x10	0,12
14	P6020.KW4	Fitting Wassertank M20 Nr. 4 W (nur komplett erhältlich => P6020.KW)	Water tank adapter 4 (only available as a complete => P6020.KW)	Adattatore contenitore dell'acqua 4 (disponibile solo come completo => P6020.KW)	3,45
15	P2006	Schraube Zylinderkopf M4x10	Screw cylinder M4x10	Vite M4x10	3,45
16	P6020.KW3	Mutter M20 Wassertank Nr. 3 W (nur komplett erhältlich => P6020.KW)	Water tank adapter 3 (only available as a complete => P6020.KW)	Adattatore contenitore dell'acqua 3 (disponibile solo come completo => P6020.KW)	3,45
17	P3528	Ventil 3-Wege manuell 1/4"	Three-way valve manual 1/4"	Valvola a sfera 3 vie pass. L 1/4"	22,14
18	P9015	L-Verbindungsstück 1/8"M 1/4"M	L-connector 1/8"M 1/4"M	Raccordo L 1/8"M 1/4"M	4,16
19	P6057	Anschluss Silikonschlauch L 1/4"x6	Connector silicone tube L 1/4"x6	Portagomma conico L 1/4"x6	4,90
20	P2021	Schraube Linsenkopf M3x10	Screw lens M3x10	Vite Bombata M3x10	0,10
21	P2520	Rohr Festwasser-Umschaltventil	Tube water connection-valve	Tubo Rete-rubinetto	6,95
22	C229900519	Nippel 1/4" 1/8"	Dowel 1/4" 1/8"	Nipples 1/4" 1/8"	4,16
23	P3023	Durchgang FF 1/4" 1/4"	Run FF 1/4" 1/4"	Passaparete 1/4" 1/4"	5,90
24	P3527	Winkel drehbar 382/S 1/4"M 1/4"F	Rotating elbow 382/S 1/4"M 1/4"F	Gomito Girevole 382/S 1/4"M 1/4"F	11,90
25	P8012	Metallschlauch flex 1/8"M 1/8"F, l=170	Metal hose flex 1/8"M 1/8"F, l=170	Tubo flex 1/8"M 1/8"F, l=170	8,90
26	C499900769	Silikonschlauch 8x5, lfm	Silicone hose 8x5	Tubo silicone 8x5	5,06
27	P9014	L-Verbindungsstück 1/8"M 1/8"F	L-connector 1/8"M 1/8"F	Raccordo L 1/8" M 1/8"F	4,16
28	C229900644	T-Stück 1/8" MMF	T-connector 1/8" MMF	Raccordo a T 1/8" MMF	5,00
29	C229900548	Rückschlagventil 1/8" MM	Recoil valve 1/8" MM	Valvola non ritorno 1/8" MM	10,52
30	C199900275	Magnetventil 230V 2 Wege 1/8" FF	Solenoid valve 230V 2 ways 1/8" FF	Elettrovalvola 230V 2 vie 1/8" FF	25,51
30	US1005	Magnetventil 110V 2 Wege 1/8" FF	Solenoid valve 110V 2 ways 1/8" FF	Elettrovalvola 110V 2 vie 1/8" FF	25,51
31	C229900911	Expansionsventil (optional)	Expansion valve	Valvola espansione	12,73
31	P2555	Expansionsventil	Expansion valve	Valvola espansione	29,95
32	P6020.KW	Wassertankadapter komplett (ohne Dichtungen)	Adapter complete (without gaskets)	Raccordo per serbatoio bianco (senza guarnizioni)	9,75
33	C519900369	Filter Eingang Festwasser	Filtre entry water connection	Filtrino Entrata Acqua Massello	0,33
34	P2120	Wassertankführung	Eater tank guide rail	Guida Serbatoio	69,00
35	C400001932	T-Stück Kunststoff	Tee plastic	T di plastica	1,90
36	P3024	Reduzierung 3/8"M 1/8"F	Reducer 3/8"M-1/8"F	Riduzione 3/8"M 1/8"F	4,16
37	P3025	Rotationspumpe 50l/h	Rotation pump 50l/h	Pompa di rotazione 50l/h	101,75
38	P3026	Motor Pumpe 220V/50Hz 120W	Motor pump 220V/50Hz 120W	Motore pompa 220V/50Hz 120W	116,50
38	US1016	Motor Pumpe 110V/60Hz 120W	Motor pump 110V/60Hz 120W	Motore pompa 110V/60Hz 120W	116,50
39	P2051	Mutter M6	Nut M6	Dado M6	0,35
40	P2052	Unterlegscheibe 6,4x12,0x1,6	Washer 6,4x12,0x1,6	Rondella piana 6,4x12,0x1,6	0,10

Pro 700 - Table 2

Pos.	Artikelnr./ item no./ num.art.	Bezeichnung	Description	Descrizione	Preis/ price/ prezzo in €
41	P3015.1	Fuß Motor Rotationspumpe	Foot motor rotation pump	Piedino motore pompa	1,95
42	P2057	Schraube Zylinderkopf M6x10	Screw cylinder M6x10	Vite M6x10	0,11
43	P6103	Halbmutter M10	Half nut M10	Dado M10	0,40
44	C227700898	Ablaufdüse	Discharge nozzle	Scarico espansione	13,90
45	C439900695	Filter für Silikonschlauch	Filter for silicone hose	Filtro per tubo silicone	4,04
46	P6023	Feder Wassertank	Spring water tank	Molla serbatoio	1,25
47	P6020.2	O-Ring Wassertankadapter oben	OR water tank adapter upper	OR adattatore top	0,29

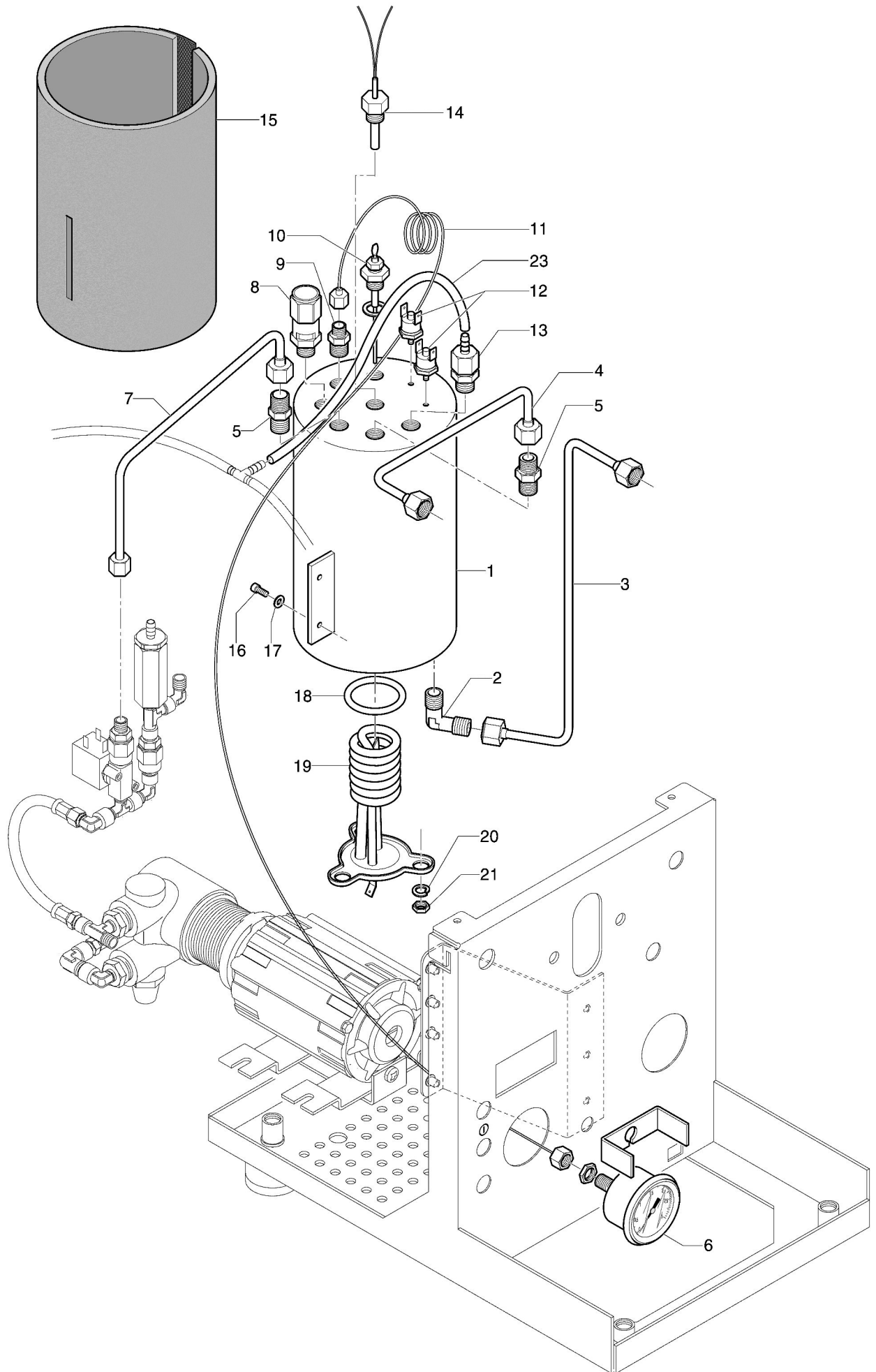
Drawing 03



Pro 700 - Table 3

Pos.	Artikelnr./ item no./ num.art.	Bezeichnung	Description	Descrizione	Preis/ price/ prezzo in €
1	P9012	Kaffeekessel	Coffee boiler	Caldaia caffè	132,00
2	P9013	Dichtung Heizung Kaffeekessel	Seal heating element coffee boiler	Sigillo resistenza caldaia caffè	3,02
3	P9011	Heizung Kaffeekessel 230V 1200W	Heating element coffee boiler 230V 1200W	Resistenza caldaia caffè 230V 1200W	40,39
3	US1003	Heizung Kaffeekessel 110V 1200W	Heating element coffee boiler 110V 1200W	Resistenza caldaia caffè 110V 1200W	40,39
4	P2011	Federring 8,0	Spring ring 8,0	Anello elastico 8,0	0,18
5	C309900127	Sechskantmutter M8	Hexagon nut M8	Dado M8	0,10
6	P2525	Rohr Rücklauf Brühgruppe	Return pipe brewing group	Tube ritorno gruppo	9,15
7	P9015	L-Verbindungsstück 1/8"M 1/4"M	L-connector 1/8"M 1/4"M	Raccordo L 1/8"M 1/4"M	4,16
8	P2524	Rohr Einlauf Brühgruppe	Inlet pipe brewing group	Tubo andata gruppo	7,95
9	C229900525	L-Verbindungsstück 1/4"M 1/4"M	L-connector 1/4"M 1/4"M	Raccordo L 1/4"M 1/4"M	4,16
10	P2121	Kesselhalterung	Boiler holder	Stafetta caldaia	15,90
11	P2006	Schraube Zylinderkopf M4x10	Screw cylinder M4x10	Vite M 4x10	0,12
12	P2009	Unterlegscheibe 4,3x9,0x0,8	Washer 4,3x9,0x0,8	Rondella piane 4,3x9,0x0,8	0,10
13	C199901550	Sicherheitsthermostat 135°C	Safety thermostat 135°C	Termostato di sicurezza 135°C	6,90
14	P2045	Kupferdichtung für Winkelstück	Copper seal	Guarnizione in rame	1,20
15	P1904	Befüllungsrohr Kaffeekessel	Coffee boiler loading tube	Tubo carico caldaia caffè	6,82
16	P2040	Winkelstück	Ellbow	Pescante	7,69
17	P6037	Temperatursensor 1/4" PT100	Temperature sensor 1/4" PT100	Sensore temperatura 1/4" PT100	34,80
18	P7051	Isolierung Kaffeekessel	Isolation coffee boiler	Isolazione caldaia caffè	19,95
19	P6051	Kapillarrohr Pumpendruckmanometer	Capillary tube pump pressure gauge	Capillare manometro pompa	3,95
20	P2500	Pumpendruckmanometer	Pump pressure gauge	Manometro pompa	30,63

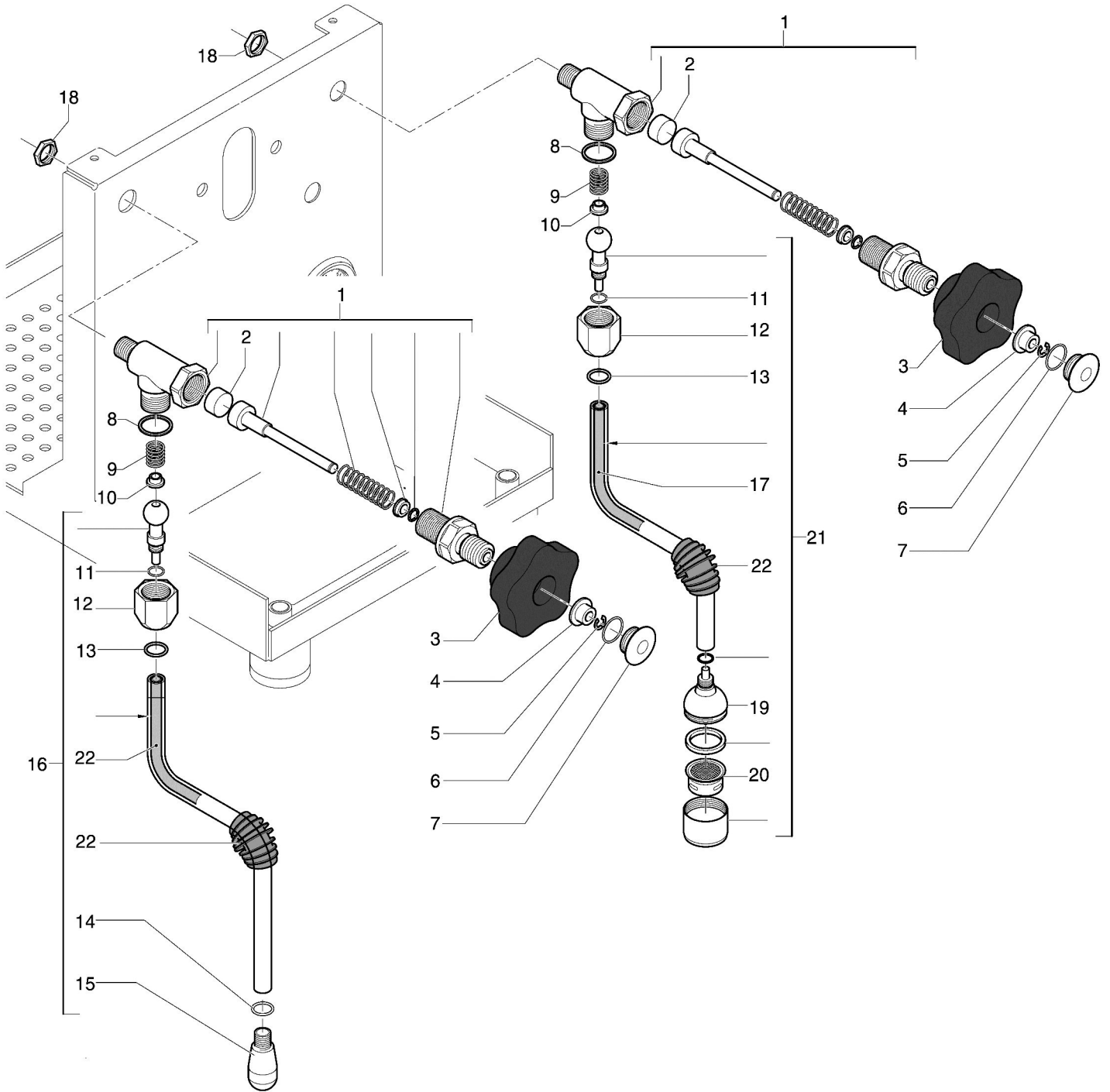
Drawing 04



Pro 700 - Table 4

Pos.	Artikelnr./ item no./ num.art.	Bezeichnung	Description	Descrizione	Preis/ price/ prezzo in €
1	P9232	Dampf-/Heißwasserkessel	Steam-/hot water boiler	Caldiaia vapore/acqua	178,44
2	C229900525	L-Verbindungsstück 1/4"M 1/4"M	L-connector 1/4"M 1/4"M	Raccordo L 1/4"M 1/4"M	4,06
3	P2523	Rohr Heißwasserentnahme	Pipe hot water extraction	Tubo prelievo acqua	7,95
4	P2522	Rohr Dampfentnahme	Pipe steam extraction	Tubo prelievo vapore	6,95
5	C229900520	Nippel 1/4" 1/4"	Dowel 1/4" 1/4"	Nipples 1/4" 1/4"	3,90
6	P2501	Kesseldruckmanometer	Boiler pressure gauge	Manometro caldaia	30,63
7	P2521	Befüllungsrohr Dampf-/HW-Kessel	Steam-/hot water boiler loading tube	Tubo carico caldaia vapore/acqua	7,35
8	C229900559	Sicherheitsventil 3/8"	Safety valve 3/8"	Valvola di sicurezza 3/8"	25,51
9	C229900519	Nippel 1/4" 1/8"	Dowel 1/4" 1/8"	Nipples 1/4" 1/8"	3,90
10	C199900214	Füllstandskontrollsonde l=120	Level probe l=120	Livello l=120	15,29
11	B7400902	Kapillarrohr Kesselmanometer	Capillary tube boiler gauge	Capillare caldaia	3,95
12	C199901550	Sicherheitsthermostat 135°C	Safety thermostat 135°C	Termostato di sicurezza 135°C	6,90
13	P2561	Anti-Vakuumentil mit Ablauf 1/4"	Anti-vacuum valve with drain 1/4"	Valvola antidepressione 1/4"	12,12
14	P6037	Temperatursensor 1/4" PT100	Temperature sensor 1/4" PT100	Sensore temperatura 1/4" PT100	34,80
15	P7052	Isolierung Dampf-/Heißwasserkessel	Isolation steam-/hot water boiler	Isolazione caldaia vapore acqua	19,95
16	P2006	Schraube Zylinderkopf M4x10	Screw cylinder M4x10	Vite M 4x10	0,12
17	P2009	Unterlegscheibe 4,3x9,0x0,8	Washer 4,3x9,0x0,8	Rondella piane 4,3x9,0x0,8	0,10
18	P9013	Dichtung Heizung Dampf-/Heißwasserkessel	Seal heating element steam-/hot water boiler	Sigillo resistenza caldaia vapore/acqua	3,02
19	P7014.1	Heizung Dampf-/Heißwasserkessel 230V 1400W	Heating element steam-/hot water boiler 230V 1400W	Resistenza caldaia vapore/acqua 230V 1400W	40,39
19	US1000	Heizung Dampf-/Heißwasserkessel 110V 1400W	Heating element steam-/hot water boiler 110V 1400W	Resistenza caldaia vapore/acqua 110V 1400W	40,39
20	P2011	Federring 8,0	Spring ring 8,0	Anello elastico 8,0	0,18
21	C309900127	Sechskantmutter M8	Hexagon nut M8	Dado M8	0,10
23	C499900769	Silikonschlauch 8x5, lfm	Silicone hose 8x5	Tubo silicone 8x5	5,06

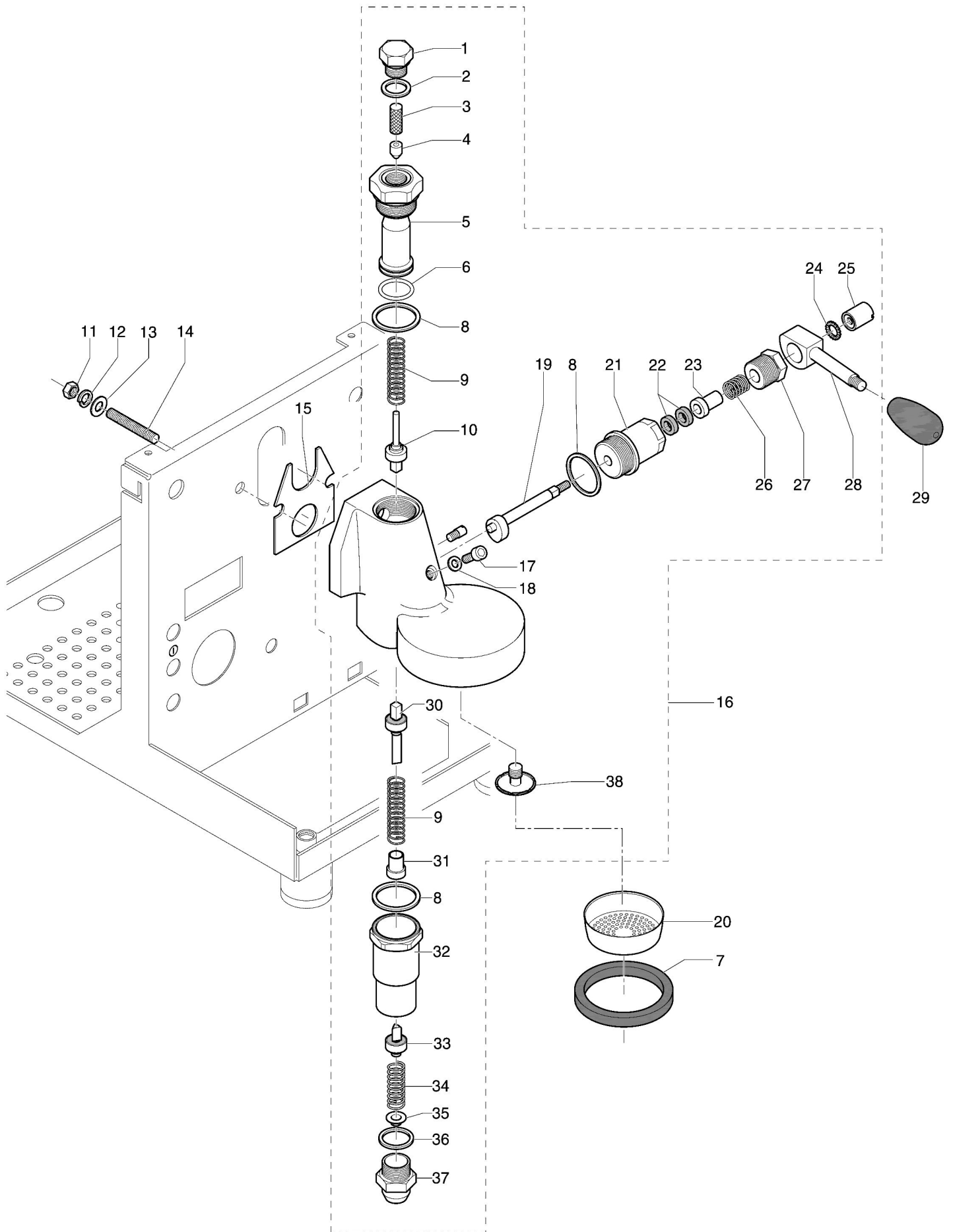
Drawing 05



Pro 700 - Table 5

Pos.	Artikelnr./ item no./ num.art.	Bezeichnung	Description	Descrizione	Preis/ price/ prezzo in €
1	P8106	Ventil Dampf/Ventil Heißwasser	Valve steam/valve hot water	Rubinetto vapore/rubinetto acqua	32,20
2	P8106.1	Dichtung Ventilspindel	Gasket valve spindle	Guarnizione per rubinetto mandrino	0,98
3	P8107	Ventilgriff	Handle	Manopola	15,98
4	P8105	Abstandshalter Ventil	Spacer valve	Valvola di distanziali	0,84
5	P8106.2	Sprengring	Circlip	Anello	0,19
6	P8111	Dichtung Griff	Seal handle	Sigillo manopola	0,46
7	P8103	Abdeckung Ventil	Cover valve	Copertura manopola	1,98
8	P6015	Dichtung Übergang Nuss-Ventil	Gasket nut-valve	Sigillo calotta-rubinetto	0,49
9	B5471532	Feder Dampf-/Heißwasserventil	Spring steam-/hot water valve	Molla per snodo	1,95
10	B5220606	Kugelpfanne Dampf-/Heißwasserventil	Ball steam-/hot water valve	Scodellino per snodo	0,49
11	B7496083	Dichtung Übergang Gelenk-Hahn	Gasket joint transition	Transizione sigillo	0,46
12	C277700213	Nuss Dampf-/Heißwasserrohr	Nut steam-/hot water wand	Calotta tubo vapore/acqua	3,90
13	B7496073	Dichtung Nut Nuss Dampf-/Heißwasser	Gasket hexagon nut	Sigillare il dado esagonale	0,49
14	B7496083	Dichtung Dampfdüse	Seal steam nozzle	Sigillo tubo vapore	0,46
15	P2543	Dampfdüse 2 Löcher	Steam nozzle 2 holes	Spruzzatore vapore 2 fori	9,90
15	P2542	Dampfdüse 4 Löcher	Steam nozzle 4 holes	Spruzzatore vapore 4 fori	9,90
16	P2541	Dampfrohr no-burn	Steam wand no-burn	Lancia vapore	36,56
17	P2549	Silikonschlauch Dampf-/Heißwasserrohr	Silicon hose steam-/hot water wand	Tubo silicone	2,85
18	C329900682	Halbmutter 1/4"	Half nut 1/4"	Mezzo dado 1/4"	0,74
19	C229900536	Sprühverteiler	Sprayer	Diffusore	6,60
20	P6001.2	Perlator Sieb Heißwasserrohr	Aerator	Perlatore fitro	1,95
21	P2540	Heißwasserrohr no-burn	Hot water wand no-burn	Lancia acqua	36,56
22	P8110	Isolierung Dampf-/Heißwasserhahn	Isolation steam-/hot water wand	Isolazione lancia vapore/acqua	2,01

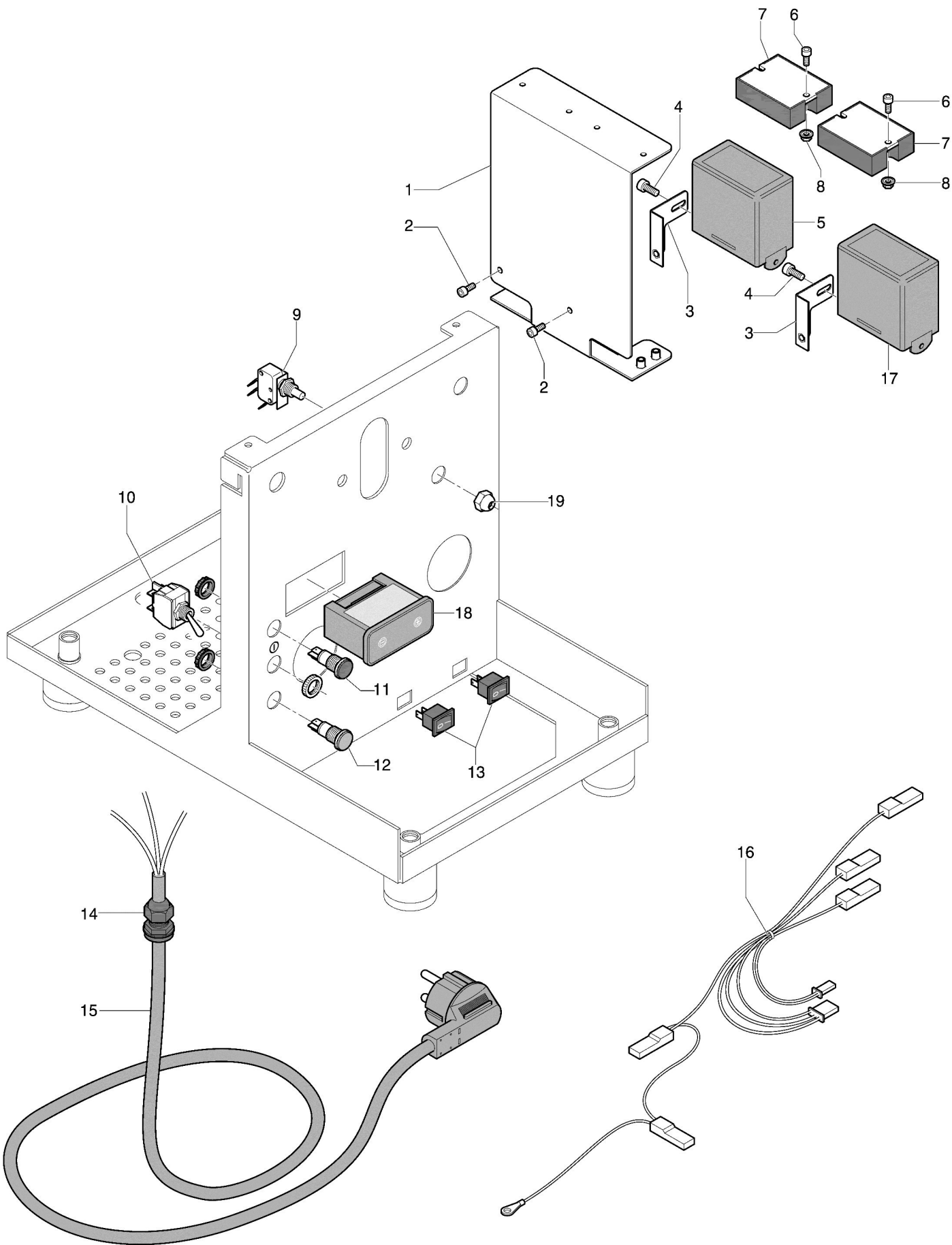
Drawing 06



Pro 700 - Table 6

Pos.	Artikelnr./ item no./ num.art.	Bezeichnung	Description	Descrizione	Preis/ price/ prezzo in €
1	R000002141	Verschraubung Brühgruppenzylinder	Fitting group cylinder	Tappo gigneur gruppo levetta	7,95
2	C469900420	Dichtung Stopfel Gigneur	Gasket plug flow restrictor	Guarnizione Tappo gigneur	0,97
3	C619900554	Filter Gigneur	Filter gigneur	Filtro gigneur	4,04
4	C229900549	Gigneur 0,8	Gigneur 0,8	Gigneur 0,8	0,97
5	C229901133	Brühgruppenzylinder oben	Upper sleeve assy	Cannotto gruppo	27,50
6	C469900422	Dichtung Glocke Brühgruppe	Gasket socket brew group	Guarnizione fungo cannotto	0,97
7	P1010	Gruppendichtung h=8,0	Group gasket h=8,0	Guarnizione sottocoppa h=8,0	5,00
8	C469900421	Teflondichtung 35x30x2	Teflon gasket 35x30x2	Guarnizione teflon 35x30x2	0,97
9	C219900423	Feder oben/mitte	Spring upper/middle	Molla valvola sopra/centro	3,02
10	C219900424	Ventil Gruppe E61 oben	Valve group E61 upper	Valvola gruppo E61 sopra	11,20
11	C309900127	Sechskantmutter M8	Hex nut M8	Dado M8	0,10
12	P2011	Federring 8,0	Spring ring 8,0	Anello elastico 8,0	0,18
13	P2010	Unterlegscheibe 8,4x16,1,6	Washer 8,4x16,1,6	Rondella piane 8,4x16,1,6	0,10
14	C309900131	Gewindestift M8 x 31	Allen screw M8x31	Tie rod M8 x 31	0,40
15	C449900767	Dichtung Brühgruppe Gehäuse	Housing gasket brew group	Guarnizione gruppo/frontalino	1,51
16	P1011	Brühgruppe komplett (ohne Brühhebelgriff)	Brewing group complete (without group lever knob)	Gruppo erogatore completo (senza manico a leva)	255,13
17	C309900164	Schraube Zylinderkopf M6x10	Screw cylinder M6x10	Viti M6x10	0,25
18	C469901132	Teflondichtung 10x6x1	Teflon gasket 10x6x1	Guarnizione teflon 10x6x1	0,59
19	C219900425	Achse Brühgruppe	Axis brewing group	Gruppo erogatore albero a camme	20,40
20	C519900103	Duschensieb	Shower screen	Doccetta	3,50
21	R000002142	Flansch	Flange	Flancia portacamme	14,95
22	C219900426	U-Scheibe Achse Brühgruppe	Washer axis brewing group	Lavatrice gruppo erogatore assi	0,84
23	R000002143	Stutzen	Connector	Bussola premi gomma	1,95
24	B7479947	Zahnscheibe 8,0	Lock washer 8,0	Rondella dentata 8,0	0,28
25	R000002146	Bolzen Hebel	Bolt lever	Calotta	2,60
26	C219900427	Feder Achse Gruppe	Spring axis group	Molla	2,51
27	R000002144	Verschraubung Achse Gruppe	Screw joint axis group	Tappo premi gomma	3,95
28	R000002145	Hebel Achse Gruppe mit Bolzen	Lever axis group with bolt	Camme (leva)	12,90
29	C439900840	Brühhebelgriff M8	Lever knob M8	Manopola gruppo M8	4,55
30	C219903081	Ventil Gruppe Mitte	Valve group E61 middle	Valvola gruppo E61 centro	11,20
31	B7479942	Federführung Gruppe	Spring guide group	Bussola Guida Molla	2,10
32	C229901165	Vorbrühzylinder	Sleeve assembly	Cannotto inferiore	19,20
33	C219900430	Ventil Gruppe E61 unten	Valve group E61 lower	valvola scarico s	11,20
34	C219900431	Feder unten	Spring lower	Valvola gruppo E61 sotto	3,02
35	R000002148	Sprühverteiler unten	Sprayer lower	Bussola frangiacqua	3,95
36	C469900783	Teflondichtung unten 26x21x2	Teflon gasket 26x21x2	Guarnizione 26x21x2	0,59
37	R000002149	Verschraubung Vorbrühzylinder	Lower discharge group	Raccordo inferiore	5,95
38	C229901128	Sprühverteiler	Sprayer brew group	Diffusore gruppo	6,95

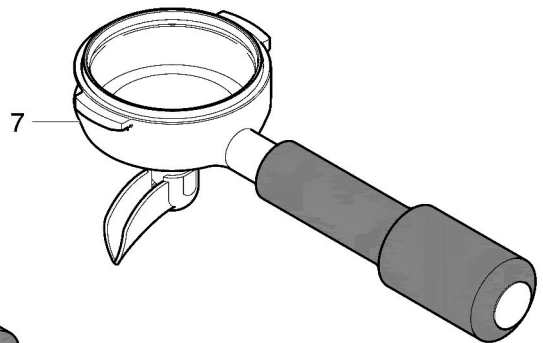
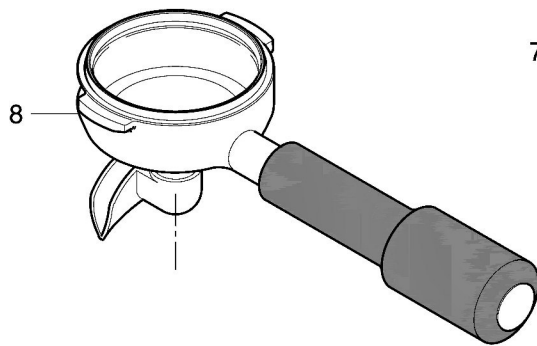
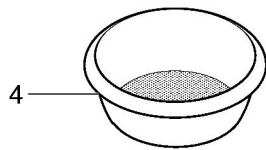
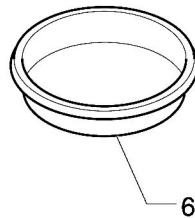
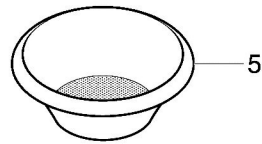
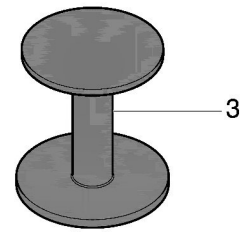
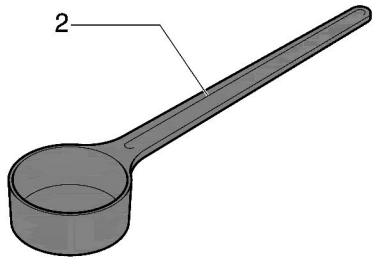
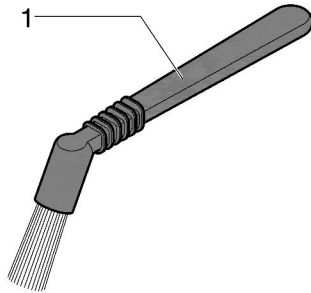
Drawing 07



Pro 700 - Table 7

Pos.	Artikelnr./ item no./ num.art.	Bezeichnung	Description	Descrizione	Preis/ price/ prezzo in €
1	P2112	Halterung Relais/Elektronik	Holder relay/controlbox	Stafetta relay/centralina	25,90
2	P2006	Schraube Zylinderkopf M4x10	Screw zylinder M4x10	Viti M4x10	0,12
3	P3005	Blech Halterung Elektronik	Bracket control box	Staffa centralina	3,50
4	P2007	Schraube Zylinderkopf M5x10	Screw zylinder M5x10	Viti M5x10	0,11
5	M2004	Elektronik 240V	Controlbox 240V	Centralina 240V	101,75
5	US1004	Elektronik 115V	Controlbox 115V	Centralina 115V	101,75
6	P2006	Schraube Zylinderkopf M4x10	Screw zylinder M4x10	Viti M4x10	0,12
7	P6031	Statisches Relais	Static relay	Relais statico	27,10
8	P2026	Mutter M4	Nut M4	Dado M4	0,06
9	C199900306	Mikroschalter Brühgruppe	Microswitch brewing group	Microinrutttore gruppo	7,11
10	C199900087	Ein/Ausschalter Metall	Bipolar switch lever	Interuttore levetta inox	11,71
11	B7633618	Kontrolllampe grün	Control lamp green	Lampada pia verde	4,04
12	B7633617	Kontrolllampe orange	Control lamp orange	Lampada spia arancione	4,04
13	P9114	Schalter 0/1	Switch 0/1	Interruttore 0/1	6,05
14	P2070	PG Kabelbefestigung	Cable Fixing	Fissaggio dei cavi	2,59
14	P2071	Mutter PG	Nut PG	Dado PG	0,30
15	C199900957	Netzkabel Schucko	Cable with Schucko plug	Schucko cable	8,00
15	P2034	Netzkabel US	Cable with US plug	US cable	9,90
15	P2035	Netzkabel UK	Cable with UK plug	UK cable	9,90
15	P2036	Netzkabel AU	Cable with AU plug	AU cable	9,90
16	P2580	Kabelbaum	Cableloom	Cablaggio	45,95
17	P6032	Netzteil 240V	Power supply 240V	Alimentazione 240V	28,00
17	US1020	Netzteil 115V	Power supply 115V	Alimentazione 115V	28,00
18	P6038	Thermo PID 3	Thermo PID 3	Thermo PID 3	98,00
18	P6041	Thermo PID 3 Australien	Thermo PID 3 Australia	Thermo PID 3 Australien	98,00
19	B5221875CM	Mutter Microschalter	Dado Micro Hex	Dado Microinrutttore	1,49

Drawing 08



Pro 700 - Table 8

Pos.	Artikelnr./ item no./ num.art.	Bezeichnung	Description	Descrizione	Preis/ price/ prezzo in €
1	R210	Reinigungspinsel für Duschensieb	Cleaning brush for shower screen	Spazzolino per doccia	2,48
2	C639900710	Messlöffel	Measuring spoon	Misurino	5,06
3	C639900764	Stopfer/Tamper Plastik	Tamper plastics	Pressino	5,06
4	C619900105	Tassensieb 14g	Filter 14g	Filtro 14g	5,84
5	C619900104	Tassensieb 7g	Filter 7g	Filtro 7g	5,84
6	C619900106	Blindsieb	Blind filter	Filtro cieco	5,84
7	C699900233	Filterträger 1 Auslauf	Filter holder 1 spout	Portafiltro 1 vie	41,97
8	C699900234	Filterträger 2 Ausläufe	Filter holder 2 spouts	Portafiltro 2 vie	41,97