

GAGGIA SUP034R



Cod.10001708-1955-2030
Cod.10002483-4-5-2510-3-2841

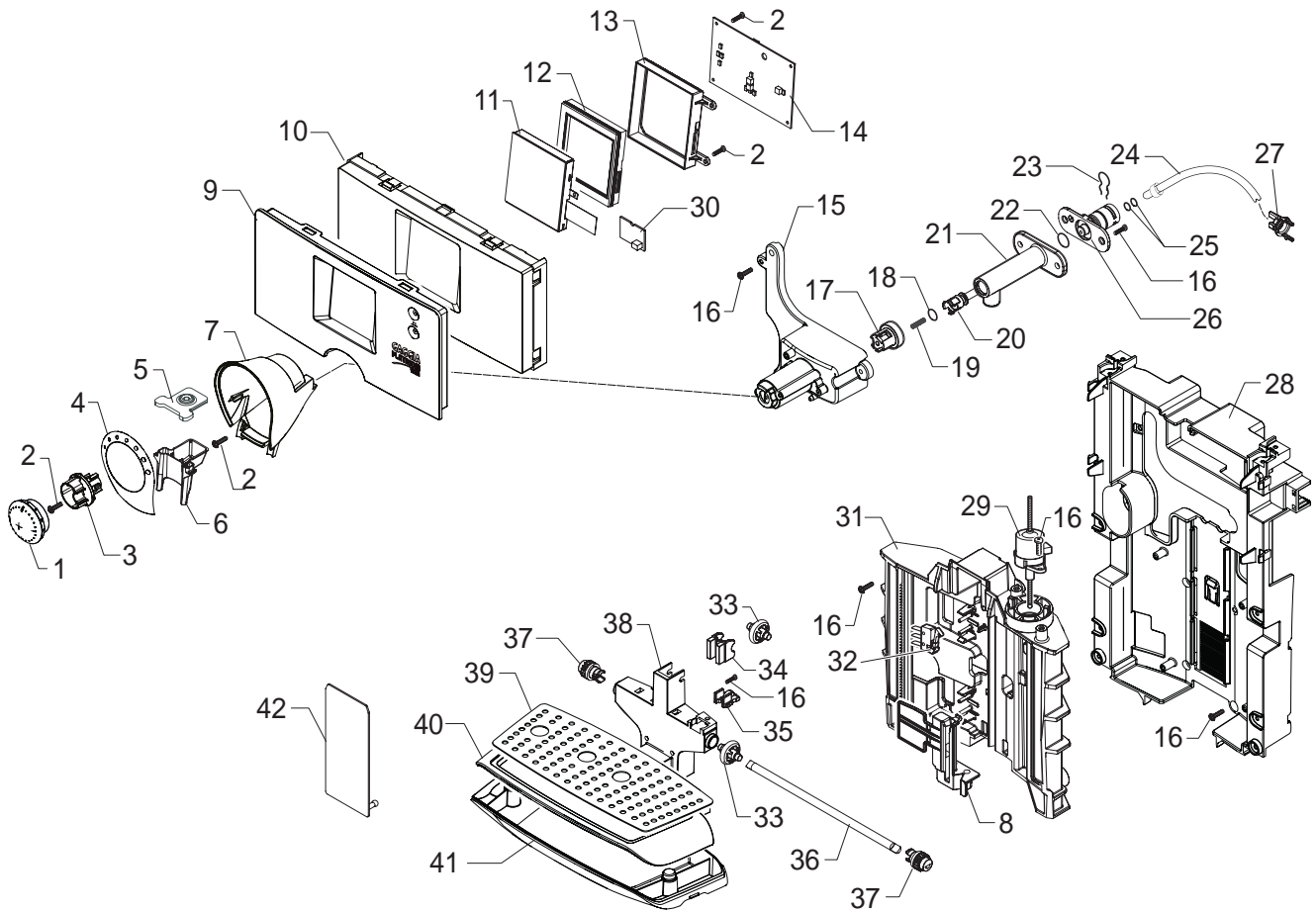
POS	CODE	DESCRIPTION	NOTE	POS	CODE	DESCRIPTION	NOTE
01	15001138	MANUAL INSTRUCTIONS GAGGIA G0053/D D/I		29	11004799	NATUR/GREY GROUND COFF.CONTAIN.CAP G0053	
	15001139	MANUAL INSTRUCTIONS GAGGIA G0053/D GB/F		30	11007217	SILVER COVER CASING G0053	
	15001140	MANUAL INSTRUCTIONS GAGGIA G0053/D E/P		31	11004687	MOUNTING PLATE WITH PIN P0049 PP-T ASSY.	
	15001141	MANUAL INSTRUCTIONS GAGGIA G0053/D NL/PL			11009301	MOUNTING PLATE WITH PIN P0049 UL ASSY.	
	15001278	MANUAL INSTRUCTIONS GAGGIA G0053/D GB/P		32	12000280	CUP SOCKET EN 60320 C 13	
	15001673	MANUAL INSTRUCTIONS GAGGIA G0053/D CHN		33	U140.001	SCREW TCB TORX 10 3,5X40 PLAST.ZN-N	
02	146680850	BLACK COFFEE MEASURE SMART		34	11007060	GENERAL SWITCH FOR P124	
03	21000974	ACC GAG WATER FILTER 1 UNIT		35	11000223	BLACK WHEEL FOR CASING BOTTOM P124	
04	183911050	POWER CABLE SCHUKO BLACK L=1200		36	11001339	TRANSPARENT INFRAREDS PLATE P0049	
	183930650	PO.CABL.CH BLACK 3X1 H05VV-F L=1200		37	129912702	SCREW PT TORX 3X10 WN 1411 GALVANIZ	
	183970350	BLACK POWER CABLE UK 3X1 H05VV-F L=1200		38	11007605	2POLES CONNECTOR SENSOR REED DOOR G0053	
	183940650	BLACK POWER CABLE AUSTRALIA L=1200		39	11003154	BLACK REED SENSOR SUPPORT P0049	
	183921950	POWER CABLE SJT3 USA BLACK UL L=1200		40	11007218	SILVER/8002 RIGHT SIDE CASING G0053	
	183980650	POWER CABLE JAPPON VCTF BLACK L=1200 MM		41	11005046	BLACK INSIDE COVER DOOR G0053	
	11004245	BLACK POWER CABLE BRAZIL W/CONNECT.L=1200		42	9161.111	MAGNET FOR FLOAT SUPERAUTOM.	
	11004247	BLACK POWER CABLE RVV 3X1 CHINA L=1200MM		43	11007292	SILVER/8002 ON-OFF BUTTON INSERT P0049	
05	129914002	SCREW TCB TORX 10 3,5X16 PLAST.ZN-B		44	11011129	SPECCHIATO ON-OFF SWITCH BUTTON P0049	
06	11022867	GAGGIA KLUBER TRIBOSTAR SIL 2 TUBE 5GR.		45	11007266	SILVER/8002 DRIP TRAY COFFEE UNIT G0053	
07	0301.961	WATER HARDNESS TEST		46	11003533	BLACK DUMP BOX P0049 ASSY.	
08	11002017	TRANSPARENT WATER CONTAINER P0053 ASSY		47	11007267	SILVER/8002 DOOR G0053	
09	224640200	EXTERNAL FILTER FOR WATER CONTAINER ASSY	WITH PART.N°10	48	11001340	BLACK DOOR PIN P0049	
10	140328461	EPDM OR METRIC 0190-10		49	11008956	SS SPRING FOR LOCK DOOR G0053	
11	11003672	SPRING FOR WATER CONTAINER VALVE P0049		50	11001360	PWR BOARD P0049/P0053	230V 100V-120V
12	11003673	GREY WATER CONTAINER VALVE INSERT P0049			11003968	PWR BOARD P0049/P0053	
13	11003671	TRANSP.VALVE FOR WATER CONTAINER P0049		51	140321461	OR 2018 IN EPDM	
14	11001298	BLACK LID FOR DUCKBILL VALVE P0049		52	11003821	BLACK CAP FOR CONNECTIONS P0049/P0053	
15	11007305	SILV/8002 WATER TANK OUTLET COVER G0053		53	13000526	CARTON INSERT FOR BOX G0053	
16	11001668	NATURAL/GREY WATER CONTAINER LID P0053		54	149360300	SILICONE TUBE 7X10	IN ROLL
17	13000543	PS-E UPPER INSERT FOR BOX G0053		55	11006567	LWR INSULATE SHEET PWR ELECT.BOARD P0053	(ONLY 100V-120V)
18	13000533	PS-E LOWER INSERT FOR BOX G0053		56	11007234	UPP.INSULATE SHEET PWR ELECT.BOARD P0053	(ONLY 100V-120V)
19	13000544	DISPLAY BOX G0053 GAGGIA PLATINUM					
20	11007195	NATUR/GREY BEAN COFF.COMT.LID G0053 ASSY					
21	11007261	SSTEEL CUPWARMING LID G0053/C-D ASSY	230V				
	11008349	SSTEEL CUPWARMING LID G0053/C-D ASSY	100V-120V				
22	11008183	GREY SEAL FOR CUPWARMER G0053					
23	11009191	BLACK POWER BOARD PROTECTION V2 P0049					
24	11007219	SILVER/8002 LEFT SIDE CASING G0053					
25	12000450	SCREW TCB TORX 10 3,5X12 PLAST.GALVANIZ					
26	11007262	SILVER/8002 WATER-STEAM KNOB G0053					
27	11008133	BEIGE FRONT CASING G0053/C-D ASSY.					
28	29661702	SCREW TCB TORX 3,5X30 PLAST.ZN-B					

GAGGIA

GAGGIA PLATINUM VISION

Rev. 04 - 19/01/10

TABLE 1/5


GAGGIA® SUP034AR

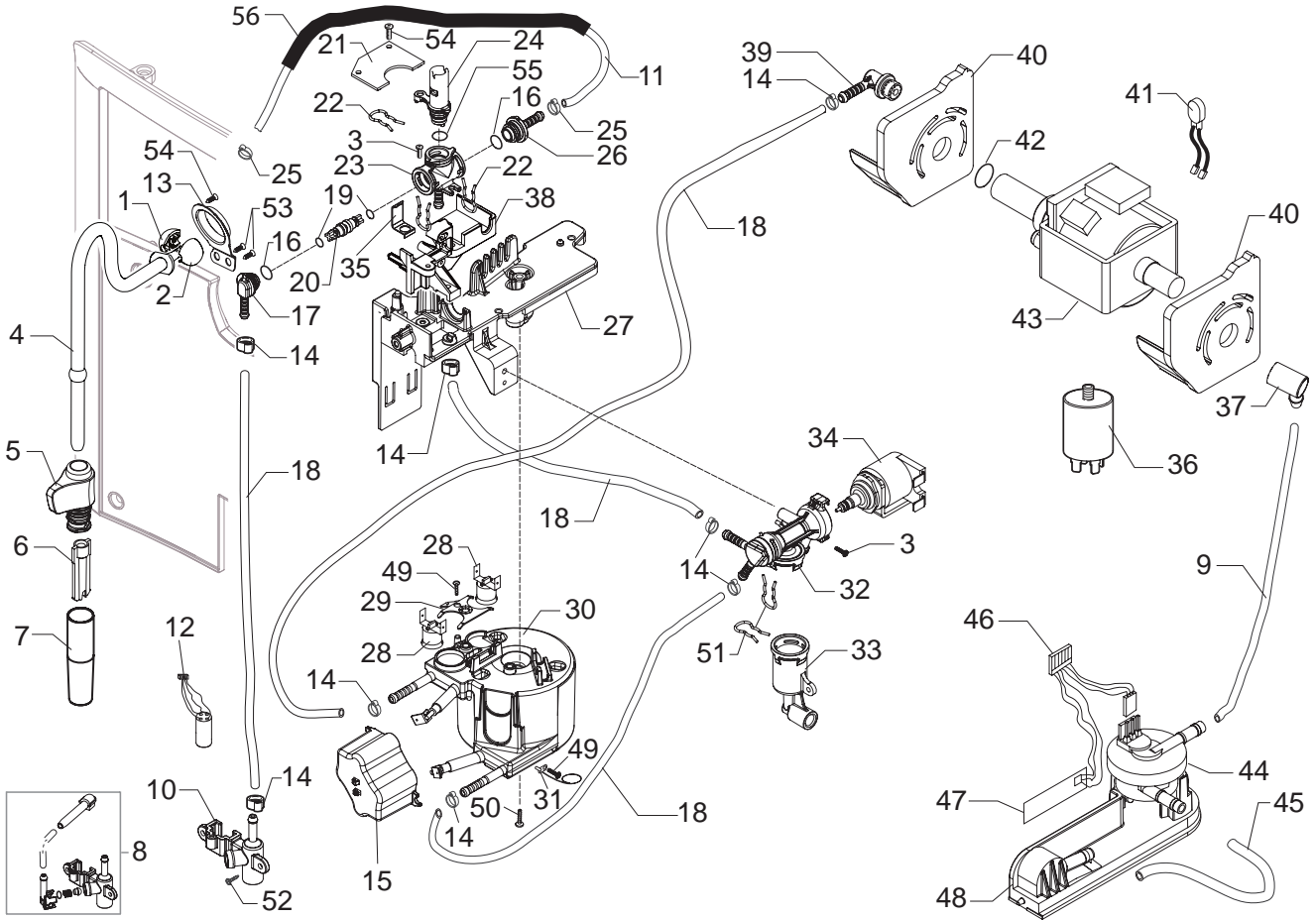
Cod.10001708-1955-2030
Cod.10002483-4-5-2510-3-2841

POS	CODE	DESCRIPTION	NOTE	POS	CODE	DESCRIPTION	NOTE
01	11007290	SILVER/8002 CREAM ADJUSTMENT KNOB G0053		41	11008882	SILVER/8002 DRIP TRAY G0053 ASSY.	
02	129913202	SCREW TCB TORX 10 3X8 PLAST.ZN-B		42	11003399	SPECCHIATO DRIP TRAY PROTECTION P0053	
03	11007420	INTERNAL CONNECT.V2 FOR COFFEE DISPENSER					
04	11007211	CHROM.FRONT COFFEE DISPENSER COVER G0053					
05	11002111	BLACK CAP COFFEE DISPEN.HEAD BODY P0053					
06	11002049	BLACK COFFEE DISPENSER BODY P0053					
07	11007269	SILV/8002 REAR COFF.DISPENS.COVER G0053					
08	11002293	BLACK LOWER DRIP TRAY PROT.SUPPORT P124					
09	11012456	SILVER FRONT PLATE DISPLAY G0053/D ASSY.					
10	11008205	BEIGE FRONT PANEL SUPPORT G0053/D					
11	12000163	DISPLAY VL 160160 P0053/D					
12	11002046	BLACK DISPLAY SUPPORT SEAL P0053/D					
13	11002045	BLACK DISPLAY SUPPORT P0053/D					
14	11008085	CPU+SW AS.V2 P0053/D					
15	11005996	BLACK DISPENSING SUPPORT G0053					
16	12000450	SCREW TCB TORX 10 3,5X12 PLAST.GALVANIZ					
17	149198700	SUPPORT CREAM ADJUSTMENT SHAFT					
18	140326661	OR METRIC 0040-20 IN EPDM					
19	126772518	SPRING FOR CREAM ADJUSTMENT SHAFT					
20	140640200	CREAM ADJUSTMENT SHAFT					
21	11000290	BLACK COFFEE DISPENSER TUBE P124					
22	12000070	OR METRIC 0060-15 IN SILICONE					
23	9011.144	FORK FOR TUBE D.4					
24	11001766	TEFLON TUBE 2X4 L=125 MM ASSY.					
25	140328059	OR 2015 IN SILICONE PTFE/FDA					
26	11002130	FAST LOCK CONNECTOR FOR EROGATOR P0053					
27	11006504	BLACK TUBE TEFLON INSERT G0053					
28	11004741	BLACK DRIP TRAY GUIDE G0053					
	11009286	BLACK DRIP TRAY GUIDE G0053 UL					
29	12000065	SAIA UCL MOTOR FOR P124 MOBILE TRAY ASSY					
30	11006230	UP/DOWN AS.KEYBOARD G0053					
31	11002204	BLACK DRIP TRAY GUIDE P0053					
32	11007609	MICROSWITCH DRIP TRAY G0053 ASSY.					
33	11000113	BLACK WHELL FOR DRIP TRAY SUPPORT P124					
34	11000224	INSERT FOR ADJUSTMENT TRAY WHEEL P124					
35	11000115	FIXING PLATE FOR FEEDING SCREW P124					
36	11000586	MOBILE DRIP TRAY GEARS SHAFT P124					
37	11000081	GEAR Z=17 FOR MOBILE TRAY SUPPORT P124					
38	11004794	CARBONA DRIP TRAY SUPPORT G0053					
39	11004773	SB/STAINLESS STEEL GRATE G0053					
40	11007213	CHROMATED SUPPORT GRATE DRIP TRAY G0053					

GAGGIA®
GAGGIA PLATINUM VISION

Rev. 03 - 19/01/10

TABLE 2/5



GAGGIA SUP034AR



Cod.10001708-1955-2030
Cod.10002483-4-5-2510-3-2841

POS	CODE	DESCRIPTION	NOTE
01	11007189	BLACK LEFT INSERT FOR STEAM TUBE G0053	
02	11006922	BLACK RIGHT INSERT FOR STEAM TUBE G0053	
03	129913902	SCREW TCB TORX 10 3X12 PLAST.ZN-B	
04	11005991	ST.STEEL STEAM TUBE G0053 ASSY	
05	11007194	BLACK STEAM TUBE HANDGRIP G0053	
06	11001620	PANNARELLO INTERNAL TUBE P0049	
07	11001621	STAINLESS STEEL PANNARELLO COVER P0049	
08		PARTICULARS NOT AVAILABLE UP TO S/N. 9007GA40049955	SEE PART.N°10
09	149360200	SILICONE TUBE 5X8 70SR	IN ROLL
10	11007421	BLACK CONNECTOR FOR P0054 FROM S/N. 9007GA40049956	
11	16000170	WHITE BRAIDED SILICON TUBE 3X6	IN ROLL
12	11000465	4POLE CONNECTOR FOR P0054	
13	4332055000	SUPPORT FOR SPHERAL UNION	
14	12000892	OETIKER CLAMP D=9,5 16700004	
15	11005284	BLACK/BOILER CONNECTORS COVER P0049/P0053	
16	12000931	OR 108 IN EPDM FDA 70 SH	
17	11001544	BLACK FAUCET CONNECTOR P0049	
18	16000380	5X8,9 SILICONE TUBE	IN ROLL
19	12000890	OR 2012 IN EPDM FDA 70 SH	
20	11004134	TEA/BRASS FAUCET SHAFT P0049	
21	11007569	TAP ELECTRONIC CARD G0053 ASSY	
22	11001499	FORK SPRING FOR FAUCET P0049	
23	11004625	TEA/BRASS FAUCET CASING P0049	
24	11004135	PLAST/BRASS FAUCET SHAFT P0049 ASSY	
25	NF11.052	OETIKER CLIP	
26	11001546	FAUCET STRAIGHT CONNECTOR P0049	
27	11001332	BLACK BOILER-FAUCET-VALVE SUPPORT P0049	
28	189428600	THERMOSTAT 175° 1NT-08L-5125 UP TO S/N. 9008GA40129106	
	12001034	THERMOSTAT ONE SHOT 175° FROM S/N. 9008GA40129107	
29	11001751	THERMOSTATES SPRING FOR BOILER	
30	11011341	ALUM.BOILER/V4 ASSY	230V-1300W
	11011342	ALUM.BOILER/V4 ASSY	120V-1300W
	11011343	ALUM.BOILER/V4 ASSY	100V-1300W
31	190800100	TEMPERATURE SENSOR NTC UL L=280MM	
32	20000591	BLOWDOWN VALVE CASING P0049 ASSY	
33	20000592	BLOWDOWN VALVE CONNECTOR P0049 ASSY	
34	20000590	BLOWDOWN VALVE COIL P0049 ASSY	230V
34	20000680	BLOWDOWN VALVE COIL P0049 ASSY	120V
	20000681	BLOWDOWN VALVE COIL P0049 ASSY	100V

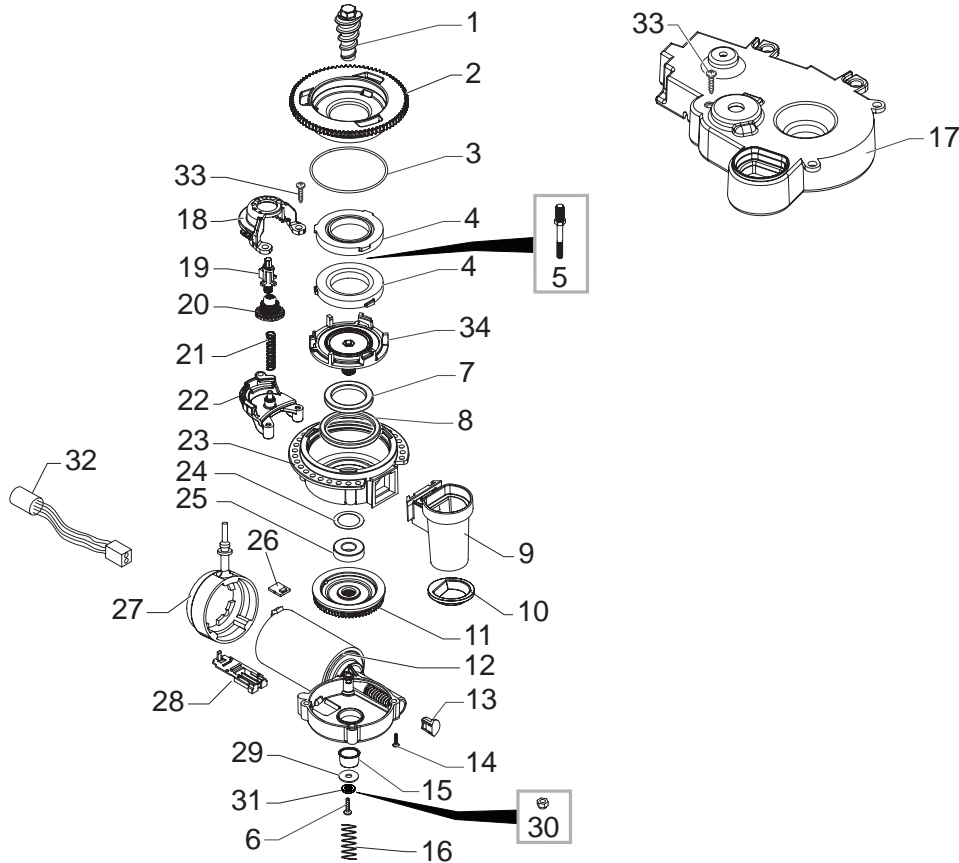
POS	CODE	DESCRIPTION	NOTE
35	11002957	SS.FAUCET FOR SPRING P0049	
36	12000005	ANTIDISTURB FILTER 10A FNC 1005474103P	230V
	12000007	ANTIDISTURB FILTER 16A	100V-120V
37	147920150	90°CONNECTOR PUMP INLET	
38	11006022	BLACK FAUCET SUPPORT G0053	
39	11001054	90°CONNECTOR PUMP OUTLET P0049/B	
40	11006296	BLACK PUMP SUPPORT P0049 ASSY	
41	11005668	2POLES CONNECTOR PUMP P0049 UL	120V-230V
42	140321961	OR 2031 IN TERMOIL	
43	12000140	ULKA PUMP EP5/S GW	230V-50HZ
	12000142	ULKA PUMP EAP5/S	120V-60HZ
	12000130	ULKA PUMP EP5/S GW	100V-50/60HZ
44	12000781	TURBINE D=1,2 932-8521/90 ASSY	
45	JS01.022	SILICONE TUBE 5X10 60 SHORE	IN ROLL
46	11007550	6POLES CONNECTOR LEVEL+FLOWMETER G0053	
47	11000651	WATER LEVEL SENSOR BOARD P124	
48	11003670	BLACK TURBINE SUPPORT V2 P0049	
49	129573202	SCREW TCB PH/TT 4X8 UNI 8112 ZNP	
50	129932502	SCREW TCEI 5X30 PLAST.ZN-B	
51	11005096	FORK SPRING FOR VALVE P0049	
52	12000450	SCREW TCB TORX 10 3,5X12 PLAST.GALVANIZ	
53	U043.017	SCREW TCB TORX 10 M3X12 ZN-B	
54	129913202	SCREW TCB TORX 10 3X8 PLAST.ZN-B	
55	140321861	OR 2025 IN EPDM	
56	149361200	BLACK SILICONE TUBE 7,5X9,3	IN ROLL
	11008698	TEA/BRASS FAUCET P0049-P0053 ASSY WITH PART.N°16-17-19-20-22-23-24-26-55	
	11001543	BLOWDOWN VALVE P0049 230V ASSY	
	11005604	BLOWDOWN VALVE P0049 120V ASSY	
	11005751	BLOWDOWN VALVE P0049 100V ASSY WITH PART.N°32-33-34-51	
	11005994	ALUM.BOILER G0053 230V ASSY	COMPLETE
	11008845	ALUM.BOILER G0053 120V ASSY	COMPLETE
	11008846	ALUM.BOILER G0053 100V ASSY	COMPLETE

GAGGIA

GAGGIA PLATINUM VISION

Rev. 04 - 19/01/10

TABLE 3/5



GAGGIA SUP034AR

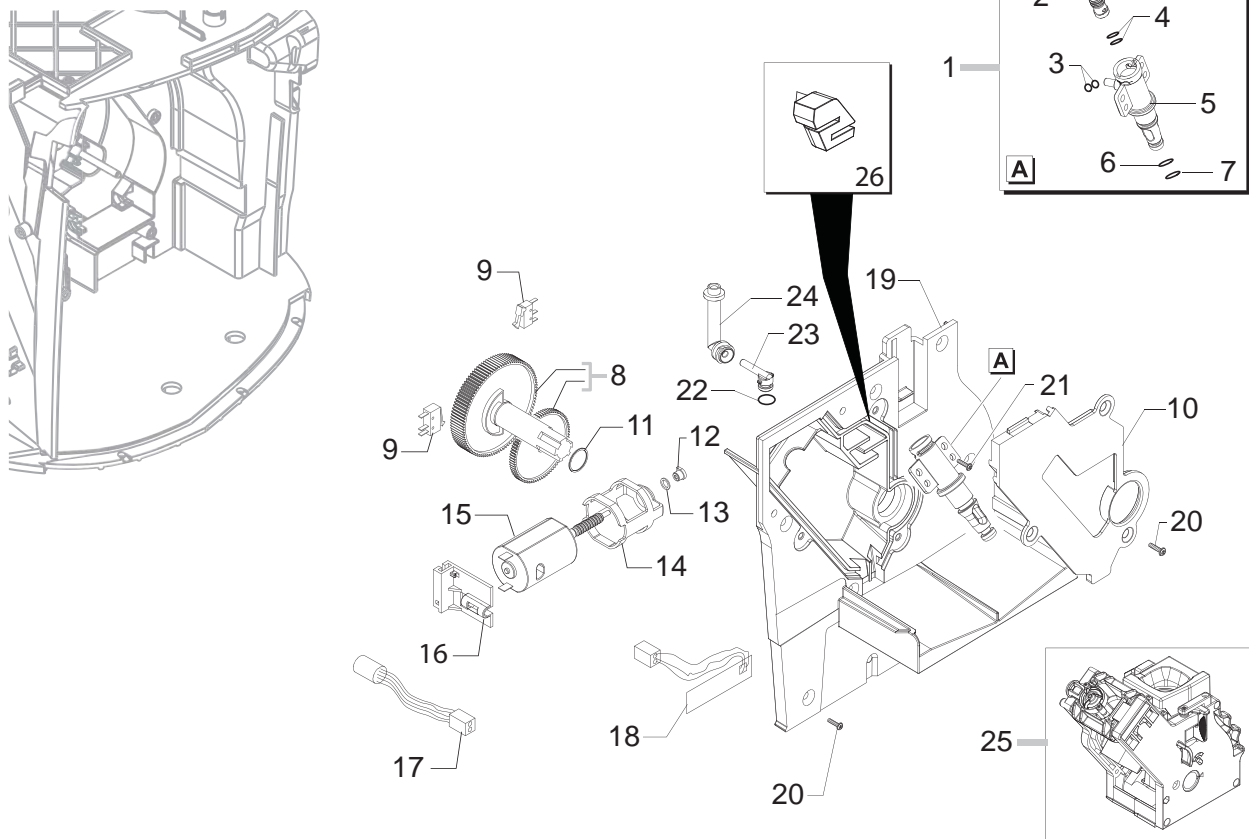


Cod.10001708-1955-2030
Cod.10002483-4-5-2510-3-2841

POS	CODE	DESCRIPTION	NOTE	POS	CODE	DESCRIPTION	NOTE
01	9141.001	BRASS INCREMENT SCREW MC UP TO S/N.9008GA40111060		32	11005658	5POLES CONNECTOR MC SENSORS P0049 UL	
	11011205	TEA/ZAMA INCREASE SCREW GRINDER FROM S/N.9008GA40111061		33	129914002	SCREW TCB TORX 10 3,5X16 PLAST.ZN-B	
02	149198250	UPPER GRINDER SUPPORT COFFEEGRINDER		34	149198350	LOWER GRINDER SUPPORT COFFEEGRINDER	
03	140328960	NBR FDA OR METRIC 0530-15			11007416	GENERAL MOTOR MC V2 P0049 230V ASSY.	
04	146520100	BAKED CLAY GRINDER 48X28			11007417	GENERAL MOTOR MC V2 P0049 120V ASSY.	
05	127473603	STEEL PIN M4-M6 FOR INCREMENT SCREW UP TO S/N.9008GA40111060			11007418	GENERAL MOTOR MC V2 P0049 100V ASSY.	
06	129574802	SCREW TCB TORX 20 M4X30 ZN-B FROM S/N.9008GA40111061					
07	123030300	AXIAL BEARING EKKO 342.35252					
08	140360500	FELT RING 45,4X39,4X4					
09	11012564	GROUND COFFEE OUTLET CONVEYOR V2 ASSY					
10	145854462	GROUND COFFEE CONT.SEAL LOWER SMART1					
11	226000300	GEAR SX Z=38 FOR GRINDER MOTION ASSY.					
12	11000513	MOTOR COFFEEGRINDER/V3.1 ASSY	230V				
	11000511	MOTOR COFFEEGRINDER/V3.1 ASSY	120V				
	11000512	MOTOR COFFEEGRINDER/V3.1 ASSY.	100V				
13	149214800	CAP FOR WORM SCREW MC/V3 CENTRING					
14	129661702	SCREW TCB TORX 3,5X30 PLAST.ZN-B					
15	11002873	INSULATOR BUSH FOR GRINDER MOTOR P124					
16	11000597	COFFEE GRINDER SUPPORT SPRING P124					
17	11001826	SOUNDPROOFING COVER FOR COFFEEGRINDER P0053					
18	11002508	UPPER GEAR SUPPORT COFFEEGRINDER P124					
19	11003446	BLACK INSERT FOR COFFEE GRINDER P0049					
20	11003784	COFFEE GRINDING ADJUSTMENT GEAR P0049					
21	11002572	GRINDER REGULATION SPRING P124					
22	11002613	LOWER GEAR SUPPORT COFFEEGRINDER P124					
23	142905450	UPPER BODY WITH COFFEE.GROUND OUTLET					
24	128381800	CRINKLE WASHER 21,8X15,8X0,2					
25	123030200	RADIAL BEARING 61900.2RS1					
26	181540900	ELECTRONIC BOARD WITH SENSOR HAL506					
27	11001367	BLACK COFFEE GRINDER SUPPORT P0049					
28	149199050	SENSOR SUPPORT FOR COFF.GRIND.MOTOR					
29	128381902	GALVAN.FLAT WASH.DI=4,3 DE=14 SP=1,5					
30	123453102	SELF LOCK NUT M4 DIN 982 HIGH GALV. UP TO S/N.9008GA40111060					
31	128310402	GALV.WASHER UNI 8842 A4 FROM S/N.9008GA40111061					

GAGGIA

GAGGIA PLATINUM VISION


GAGGIA® SUP034AR

Cod.10001708-1955-2030
Cod.10002483-4-5-2510-3-2841

POS	CODE	DESCRIPTION	NOTE	POS	CODE	DESCRIPTION	NOTE
01	11005113	PIN V2 FOR BOILER P049/B ASSY.					
02	11003820	CAP V2 FOR PIN BOILER P119					
03	140328059	OR 2015 IN SILICONE PTFE/FDA					
04	140324459	OR ORM 0060-20 IN SILICONE PTFE/FDA					
05	11003801	PIN V2 FOR BOILER P119					
06	NM01.035	OR ORM 0090-20 SILICONE					
07	NM01.057	OR ORM 0050-20 SILICONE					
08	20000900	SPARES KIT GEARS FOR RATIOMOTOR V2					
09	NE05.038	MICROSWITCH					
10	11001312	BLACK COVER FOR VAIN BOILER P0049					
	11009284	BLACK COVER FOR VAIN BOILER P0049 UL					
11	9161.132	MYLAR WASHER FOR RATIOMOTOR					
	9121.046	SINTERED BUSH FOR MOTOR					
12	148380200	WASHER BAKELIZZATE D=5,5					
13	9121.044	ANTIVIBRATION FOR MOTOR					
14	11003037	MOTOR FOR RATIOMOTOR ASSY.					
15	11001331	BLACK MICROSWITCH SUPPORT DUMP BOX P0049					
16	11003661	REED SENSOR MK3-1A66-BV16451					
17	11007897	DRIP TRAY SENSOR COFFEE UNIT G0053 ASSY.					
18	11006337	BLACK COVER MOUNTING PLATE P0049 ASSY.					
19	11009287	BLACK COVER MOUNTING PLATE P0049 UL ASSY					
20	129914102	SCREW TSP TORX 10 3,5X12 PLAST.ZN-B					
	129914002	SCREW TCB TORX 10 3,5X16 PLAST.ZN-B					
21	140325462	OR METRIC 0070-20 IN SILICONE					
22	11003648	COVER DESCARGING WATER 90° CONNECTOR					
23	11004086	VALVE DESCARGING WATER 90° CONNECTOR					
24	11005921	BLACK BREW UNIT 8GR.V2 P124/SBS					
25		SEE CODE EXPL. E90060					
26	11022216	BLACK PROTECTION FOR COVER PLATE P0049					

GAGGIA®
GAGGIA PLATINUM VISION

Rev. 03 - 19/01/10

TABLE 5/5