



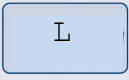

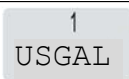


## Aquameter startup sequence for US market:

**Important for the US Market: you have to change the counting from liter to US Gallons**

Programming:



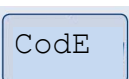
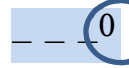

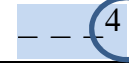

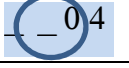

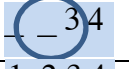
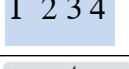


Setting to US Gallons:



Step	Button		Indicator
			
1		Press button PROG. and RESET approx. 5 sec. together → "L" (Liter) appears in the display	
2		Press button PROG. to change to US Gallons → "US Gal" appears in the display	
3		Press button RESET to fix US Gallons in the display → "US Gal" is set → You can see it on top of the display, "1" appears in the display	

Resetting the filter capacity or change setting on the display:

**Important: Before you can resetting the filter capacity or change some setting on the display, you have to enter the Passcode "1234"**

Step	Button		Indicator
		Filter capacity is depleted → Indicator flashes	
1		Press button PROG. or RESET → "CodE" appears in the display	
2		Enter the four-digit passcode → first digit on the right, "0", flashes	
3		Set the desired value by pressing the "RESET" button. → For the digit "4", press four times	
4		Press the "PROG" button once to switch to the next digit → first digit, "0", flashes	
5		Set the desired value by pressing the "RESET" button. → For the digit "3", press three times	
6		Repeat steps 4 and 5 until all numbers have been set.	
7		Press the "PROG" button once → Passcode is entered	

**NOTE: All other instructions (technical Data, general information, Installation, a.s.o.) you will find in the actual Aquameter manual.**

BWT – For You and Planet Blue.