

Service
Service
Service



Exploded View

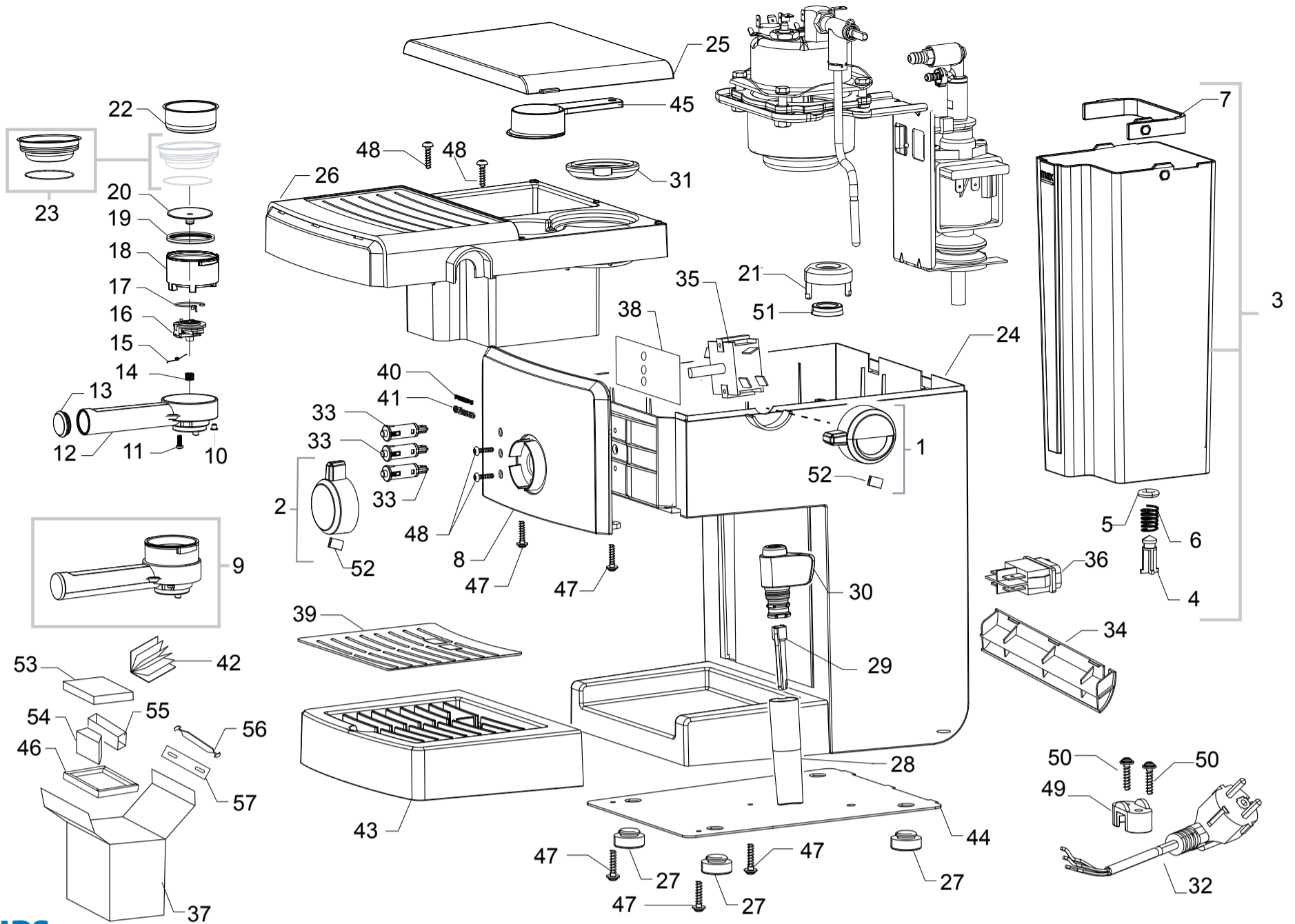
Contents

Table

External / Front panel /
Water system

1/2
2/2

All rights reserved. No part of this publication may be reproduced, stored in a retrieval system or transmitted, in any form or by any means, electronic, mechanical, photocopying, or otherwise without the prior permission of Saeco.



PHILIPS

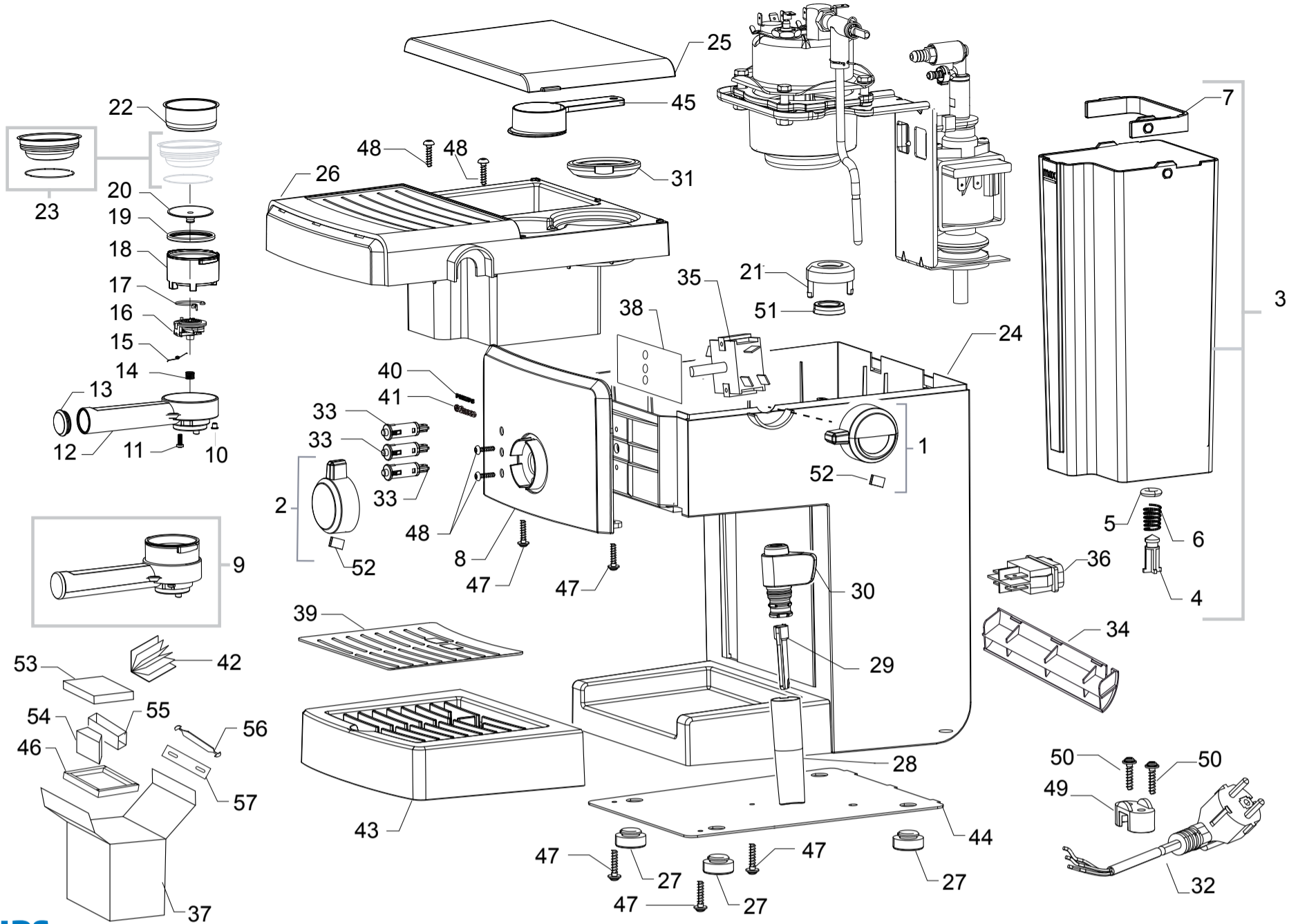
Saeco

HD8323/01-02-05-07-08-09-41-42-43
 HD8325/01-03-05-07-08-09-42-47
 HD8327/01-02-03-08-09-41-43-47



Cod. 10003615-16-17-18-19-30-3813-15-3902-03-04-05
 Cod. 10003906-07-97-4013-14-47-4110-11-20-21-22-23
 Cod. 10004299

POS	CODE	12NC	DESCRIPTION	NOTE	POS	CODE	12NC	DESCRIPTION	NOTE
01	11026897	996530067997	CHROM.WATER-STEAM KNOB S/SCR.ABC ASSY.		31	11025662	996530067977	GUARN.H=11,3 60SH PORTAF.PRES.MEC/CAL.IN	
02	11026901	996530068005	AS.MANOPIOLA COMANDI.ABC CROM.		32	17800167	996530068652	BLACK POWER CABLE SCHUKO L=1550	
03	11024799	996530068001	TRANSP.WATER CONTAINER S/SCR.ABC ASSY.		17800168	996530068649	BLACK POWER CABLE 3X075 CHINA L=1550		
04	147660562	996530016894	GREY PISTON FOR WATER CONTAINER VALVE		17800421	996530068656	BLACK POWER CABLE UK L=1550		
05	140324362	996530013507	OR ORM 0060-30 SILICONE		17800423	996530068651	BLACK POW.CABLE KOREA L=1550		
06	126764718	996530011626	SS WATER CONTAINER VALVE SPRING		17800419	996530068655	BLACK POWER CABLE CH L=1550		
07	11024822	996530067981	BLACK HANDLE WATER CONTAINER ABC		17800381	996530069885	BLACK POWER CABLE ARGENTINA L=1550		
08	11026909	996530068007	CHROM/BLK FRONT PANEL S/SCR.ABC/B ASSY.	FOCUS	17800454	996530069924	BLACK POWER CABLE AUSTRALIA L=1550		
	11025458	996530068006	CHROM/SS FRONT PANEL S/SCR.ABC/M-T ASSY.	CLASS - TOP	17800390	996530070494	BLACK POWER CABLE USA SJT 3X18AWG L=1550		
09	11026924	996530067961	BLACK ALUM. PRES.FILTERHOLDER ABC ASSY.		17800466	996530070506	BLACK POW.CABLE BRA.L=1550		
10	123591309	996530011272	BRASS SPACER FOR PRES.FILTERHOLDER		33	11026889	996530067957	GREEN NEON LAMP ABC	
11	129730721	996530013032	TCB SCREW PZ/SW 4X12 UNI 8112 SS		11029642	996530070497	GREEN NEON LAMP ABC UL	120V	
12	11025501	996530067966	BLACK PRES.FILTERHOLDER HANDLE ABC		34	11028459	996530070502	BLACK REAR LOWER CASING COVER ABC	FOCUS - CLASS
13	11025502	996530067996	CHROM FILTERHOLDER HANDLE CAP ABC		11029464	996530072955	GREY REAR LOWER CASING COVER ABC	TOP	
14	126769918	996530011684	SS SPRING FOR PRES.FILTERHOLDER PIN L=13		35	12000824	996530007912	ROTARY SWITCH AYA-2213 FOR P234	
15	126768418	996530011667	SS.SPRING FOR CAM PRESS.FILTERHOLDER		17800508	996530070498	ROTARY SWITCH AYA-2215 FOR P234	120V	
16	229181800	996530031265	GREY PRES.FILTERHOLDER PIN SUPPORT ASSY.		36	NE03.038	996530058836	BIPOLAR SWITCH FUSIT C1250AR	
17	126835818	996530011811	SS.SPRING FILTERHOLD.HAND.PRES/MEC.		37	13001366	996530067995	DISPLAY BOX ABC/M PSA POEMIA CLASS WE	CLASS WE
18	17000097	996530009582	ALUM/POL.V2 PRES/MECC.FILTERHOLDER		13001367	996530067982	DISPLAY BOX ABC/B PSA POEMIA FOCUS WE	FOCUSWE	
19	145847762	996530015878	BROWN PRES.FILTERHOLDER CONVEYOR SEAL		13001431	996530068653	DISPLAY BOX ABC/B PSA POEMIA	FOCUS CEE	
20	142862959	996530015136	GREY CONVEYOR HOLE 1,7 PRES.FILTERHOLDER		13001432	996530068658	DISPLAY BOX ABC/M PSA POEMIA	CLASS CEE	
21	0701.031.150	996530044417	GREY WATER VALVE GACO DIM 14 SEAL COVER		13001453	996530069922	DISPLAY BOX ABC/T PSA POEMIA	TOP CEE	
22	124650221	996530011332	2CUP FILTER 54,5X25 W/O.NOT.HOLE D=48		13001452	996530069919	DISPLAY BOX ABC/T PSA POEMIA	TOP WE	
23	20007036	996530069505	SPARES KIT POD FILTER + SPRING ABC		13001374	996530072971	DISPLAY BOX ABC/M PSA POEMIA	CLASS USA	
24	11024797	996530068002	BLACK CASING ABC	FOCUS - CLASS	13001375	996530070488	DISPLAY BOX ABC/T PSA POEMIA	TOP USA	
	11027798	996530069917	SS/SILVER CASING ABC/T ASSY.	TOP	38	11029644	996530070492	NOMEX PROTECTION FOR ROTARY SWITCHABC	
25	11024798	996530067998	BLACK WATER CONTAINER LID ABC/B-M	FOCUS - CLASS	39	11024828	996530067992	SS GRATE FOR DRIP TRAY ABC/M-T	TOP - CLASS
	11027797	996530069918	SS/GREY WATER CONTAINER LID ABC/T ASSY	TOP	40	11024301	996530067434	ADHES.SILVER PLATE LOGO PHILIPS	TOP - CLASS
26	11024829	996530067988	BLACK CASING COVER ABC/B-M	FOCUS	41	11011406	996530006054	ADHES.SILVER PLATE LOGO SAECO P0057	TOP - CLASS
	11027796	996530069921	SS/GREY CASING COVER ABC/T ASSY.	TOP	42	15002848	996530067976	MANUAL PSA POEMIA ABC 12L.WE	
	11029357	996530070496	SS/BLACK CASING COVER ABC/M ASSY.	CLASS	15002849	996530068654	MANUAL PSA POEMIA ABC 12L.CEE		
27	11024824	996530067972	PIEDINO ABC NER.		15003068	996530068657	MANUAL PSA POEMIA GB/CHN/KOR/TWN		
	147623150	996530016882	BLACK SQUARE ADHESIVE FOOT 5023	ONLY USA	15003069	996530068648	MANUAL PSA POEMIA GB/DE/FR/ES/SA		
28	11001769	996530001012	BLACK PANNARELLO COVER P0049	FOCUS	15003183	996530070499	MANUAL PSA POEMIA ABC PT/BRA		
	11001621	996530000926	SS PANNARELLO COVER P0049	CLASS - TOP	15003547	996530072975	MANUAL PSA POEMIA ABC 3L.USA		
29	11001620	996530000925	BLACK PANNARELLO INNER TUBE P0049		43	11024827	996530067962	BLACK DRIP TRAY ABC/B-M	FOCUS - CLASS
30	11007194	996530004127	BLACK STEAM TUBE HANDGRIP G0053		11027795	996530069923	SS/SILVER DRIP TRAY ABC/T ASSY.	TOP	



PHILIPS

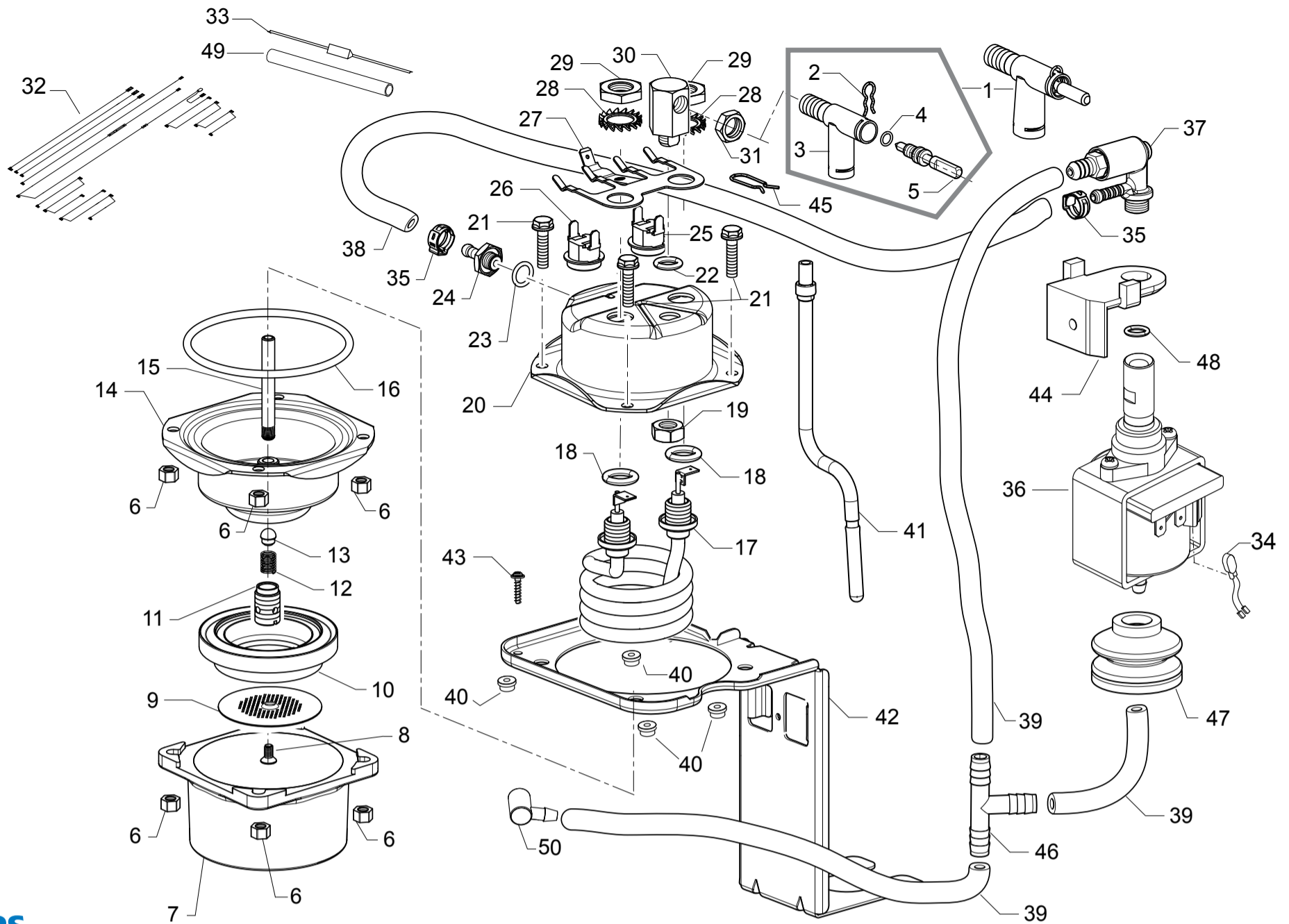
Saeco

HD8323/01-02-05-07-08-09-41-42-43
 HD8325/01-03-05-07-08-09-42-47
 HD8327/01-02-03-08-09-41-43-47



Cod. 10003615-16-17-18-19-30-3813-15-3902-03-04-05
 Cod. 10003906-07-97-4013-14-47-4110-11-20-21-22-23
 Cod. 10004299

POS	CODE	12NC	DESCRIPTION	NOTE	POS	CODE	12NC	DESCRIPTION	NOTE
44	11024823	996530067987	STEEL CASING BOTTOM ABC						
	11029641	996530070489	STEEL CASING BOTTOM ABC UL	ONLY USA					
45	11025503	996530067983	BLACK GROUND COFFEE MEASURE ABC						
46	13001377	996530068003	CARTON LOWER INSERT BOX ABC						
47	129912504	996530013147	SCREW TCB TORX 10 3,5X14 PLAST.ZN-N						
48	129913902	996530013164	SCREW TCB TORX 10 3X12 PLAST.ZN-B						
49	148600600	996530017451	BLACK POWER CABLE CLAMP MAGIC ESP/COM.						
50	12000450	996530007819	SCREW TCB TORX 10 3,5X12 PLAST.ZN-N						
51	145842900	996530015823	NBR WATER CONT.VALVE GACO DIM14 SEAL						
52	DM0814	996530054358	STEEL SPRING FOR KNOB TYMER						
53	13001520	996530070487	CARTON UPPER INSERT BOX ABC						
54	13001497	996530070505	CARTON CENTRAL INSERT BOX ABC						
55	13001496	996530070503	CARTON FILTERHOLDER PROTECT.INSERT ABC						
56	13001514	996530070493	TRANSP.HANDLE FOR DISPLAY BOX ABC						
57	13001515	996530070495	DISPLAY BOX HANDLE REINFORCEMENT ABC						



PHILIPS

Saeco

HD8323/01-02-05-07-08-09-41-42-43
 HD8325/01-03-05-07-08-09-42-47
 HD8327/01-02-03-08-09-41-43-47



Cod. 10003615-16-17-18-19-30-3813-15-3902-03-04-05
 Cod. 10003906-07-97-4013-14-47-4110-11-20-21-22-23
 Cod. 10004299

POS	CODE	12NC	DESCRIPTION	NOTE	POS	CODE	12NC	DESCRIPTION	NOTE
01	17000512	996530067964	L-F/BRASS V2 STEAM FAUCET ABC ASSY.		36	12000833	996530007915	DEFOND PUMP P-50 A2P GW 230V-50HZ	
02	9011.144	996530048885	SS FORK FOR TUBE D=4		12000182	996530007782	996530007782	ULKA PUMP EP5/S GW 220V-60HZ	
03	11025139	996530067991	L-F/BRASS STEAM FAUCET FOR SS BOILER ABC		12000142	996530007754	996530007754	ULKA PUMP EAP5/S 120V-60HZ	
04	WGADM0041/031	996530063888	OR 2018 VITON 70 SH		37	11004689	996530002484	TEA/BRASS SAFETY VALVE 16-18 BAR ASSY.	
05	11024775	996530068004	L-F/BRASS FAUCET SHAFT SS.BOILER NEWGEN		38	16000380	996530009505	5X8,9 SILICONE TUBE IN ROLL	
06	123160502	996530011189	GALVANIZED NUT M5 HIGH UNI 5587-68		39	149361400	996530018281	TRANSP.SILICONE TUBE 5X9 65SH IN ROLL	
07	17000384	996530067958	POLISHED FILTERHOLD.LOCKING RING ABC ASS		40	11025697	996530070532	BLACK BOILER SPACER ABC	
08	129854021	996530013107	TSP SCREW M4X8 UNI 7688 SS		41	11024852	996530067984	SS STEAM TUBE ABC ASSY.	
09	123741421	996530011292	PERCOLATOR DE =48,8 SS BOILER JACOBS		42	11025700	996530067969	STEEL BOILER AND PUMP SUPPORT ABC	
10	145841500	996530015809	BLACK FILTERHOLDER SEAL		43	12000450	996530007819	SCREW TCBR TORX 10 3,5X12 PLAST.ZN-N	
11	11023968	996530067994	SS VALVE HOLD SCREW SS BOILER		44	149205850	996530018056	BLACK TYPE ULKA PUMP W/BEVEL SUPPORT	
12	EF0013	996530055395	SS SPRING 5-7 BAR FOR BOILER VALVE		45	126764018	996530011619	SS SPRING D=1 STEAM TUBE HOLDER JUN.	
13	149450588	996530018311	65SH SILICONE BOILER SEALING VALVE		46	11007493	996530004363	T CONNECTOR FOR BOILER P604	
14	17000436	996530067971	SS.LOWER BOILER CASING+SS HUB		47	GG0085	996530056315	BLACK TYPE ULKA PUMP SUPPORT	
15	11023931	996530067979	SS INTERNAL TUBE FOR SS BOILER		48	140321961	996530013471	O-RING 2031 TERMOIL	
16	140322962	996530013489	O-RING 176 SILICONE		49	229405400	996530031792	TEFLON TUBE 4,2X0,38 L=100 MM	
17	11024000	996530067973	HEAT ELEMENT+ SS TERMINAL 230V-900W		50	147920150	996530017348	90° INLET PUMP CONNECTOR	
	11024001	996530070529	HEAT ELEMENT+ SS TERMINAL 120V-900W						
18	NM01.021	996530059385	SILICONE OR 2050						
19	11023888	996530067999	SS NUT 1/8 GAS H=6 CH=14						
20	17000501	996530067993	SS M8 UPPER BOILER CASING W/BACKET						
21	129680802	996530013006	GALVANIZ.SCREW WITH WASHER TE M5X20						
22	140323062	996530013492	O-RING 2043 SILICONE						
23	140322162	996530013476	O-RING 2037 SILICONE						
24	17000444	996530067959	SS THREAD STRAIGHT FIT.FOR SS.BOILER ABC						
25	189422000	996530026907	THERMOSTAT 95° 1NT-01L-0036						
26	189425100	996530026928	THERMOSTAT 127° 1NT-01L-0499						
27	17000988	996530067968	SS BOILER 2THERM.FIXING SPRING						
28	128311204	996530012352	BURN.WASHER UNI 8842 A12						
29	123452000	996530011231	BRASS NUT M12 X1,25 H= 4,5						
30	17000511	996530067965	SS THREAD CONNECTOR FAUCET/SS BOILER ABC						
31	123390420	996530011211	BRASS NUT 1/8 GAS H=4.5 CH=13						
32	11026888	996530067985	WIRING ABC ASSY.						
	17800409	996530070531	WIRING ABC UL ASSY.						
33	189300800	996530026889	THERMAL FUSE 184°C 15 A						
34	289200100	996530035365	THERMAL. PROTECT.120°C CABL.121/121						
35	12000892	996530007947	OETIKER CLAMP D=9,5 16700004						