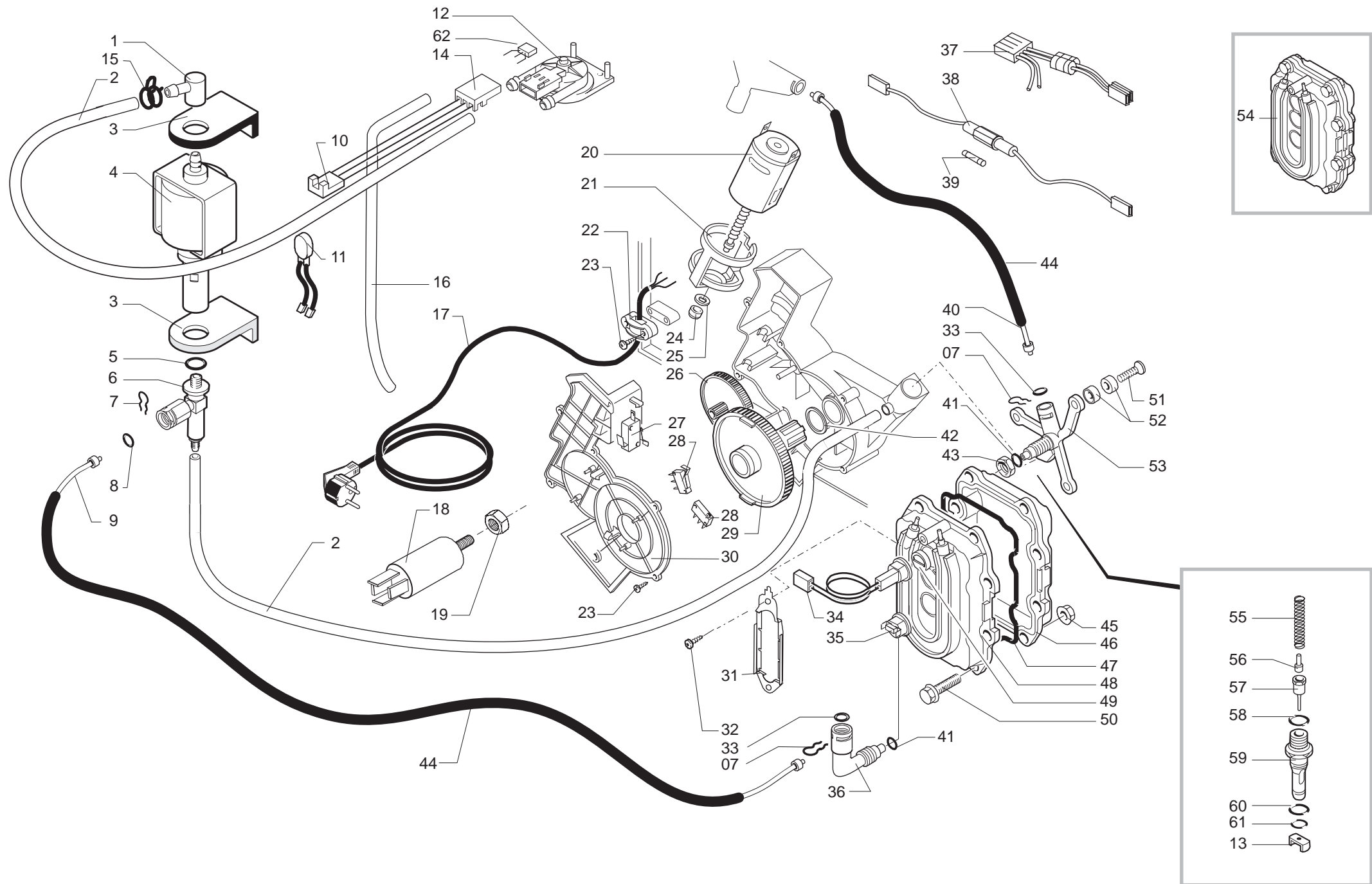


E74043

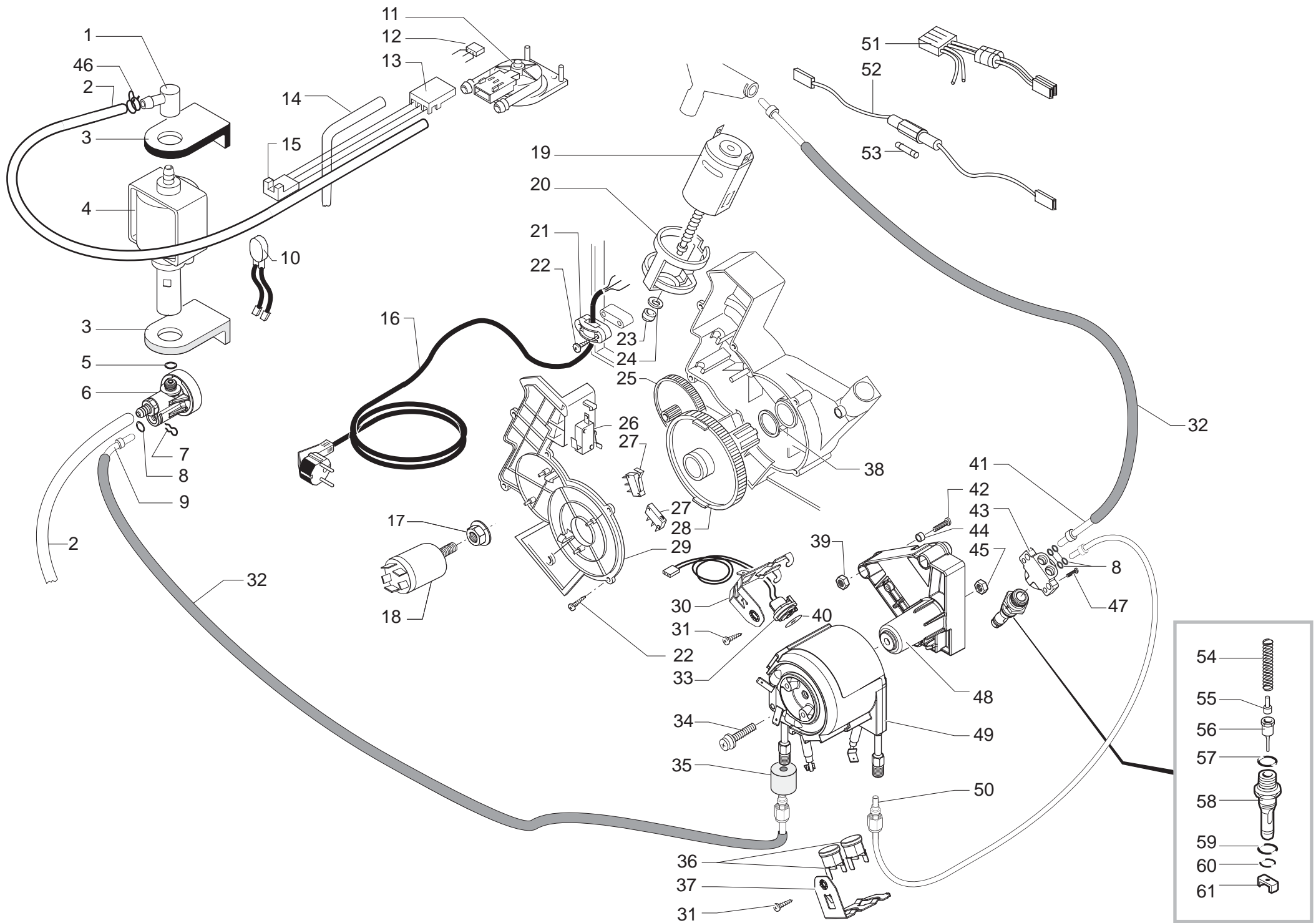
SUP020, SUP020R

Pos	Article-Nr.	Description	Pos	Article-Nr.	Description
1	142813480	TRANSP/GREY WATER CONT. LID MP5000	39	11000959	CPU BOARD V2 MP5000 GREY-WHITE/230V ASSY
2	222692180	TRANSP/GREY WATER CONT.MP5000 ASSY.	40	0311.020	BRACKET FOR DOOR CLOSURE
3	144650800	WHITE WATER CONTAINER EXT.FILTER	41	142482699	TRANSPARENT CAP LED COVER MP5000
4	140328461	EPDM OR METRIC 0190-10	42	224884618	BLACK FRONT PANEL S/SCR.MP5000 UL
5	140324362	OR METRIC 0060-30 IN SILICONE	42	224884650	BLACK FRONT PANEL S/SCR.MP5000
6	126764718	SS WATER CONTAINER VALVE SPRING	43	147716559	GREY CONTROLS SELECTION KNOB MP5000
7	147660562	GREY PISTON FOR WATER CONTAINER VALVE	44	223700550	BLACK COFFEE DISPENSER P5000 ASSY.
8	15000200	MANUAL GAG SYN.LOGIC UL	45	222482218	BLACK CASING MP5000 UL ASSY.
8	15000217		45	222482250	BLACK CASING MP5000 ASSY.
8	15001279		46	228982107	ANTHRACITE DOOR P5000
8	165880900	MANUAL GAG SYN.LOGIC UL	46	228982141	SILVER DOOR P5000
8	165899300	MANUAL GAG SYN.LOGIC RS	47	145743250	BLACK GRATE MP5000
9	127390100	BRUSH FOR CLEANING	48	229630707	896/ANTHRACITE DRIP TRAY MP5000
10	U324.003	NUT M5 FLANGED INDENTED BASE	48	229630741	SILVER DRIP TRAY MP5000
11	175896900	PS-E UPPER BOX INSERT MP5000	49	9991.105	MAGNET D=9 MM
12	175897000	PS-E LOWER BOX INSERT MP5000	50	147622850	BLACK EPDM FOOT
13	178506600	FLEXOGR.BOX GAGGIA SYNCHRONY LOGIC	51	145500211	RED FLOAT FOR DRIP TRAY SEB GRANCAF.
13	178513900	DISPLAY BOX FACTORY SYNCHRONY LOGIC	52	U140.004	PANELVIT TCB 3,0X12 DIN 7505 B GAL
14	0701.031.150	GREY WATER VALVE GACO DIM 14 SEAL COVER	53	175896300	POLYST.INSERT 388X413X17
15	145842900	NBR WATER CONT.VALVE GACO DIM14 SEAL	54	123591920	BRASS SPACER D=7,9 H=1,8 COP.MP5000
16	NE03.028	SWITCH B1031C1181000W	55	129827002	TCB SCREW M5X16 UNI 7687 ZNP
17	129535721	SCREW TSP TORX 10 AB 3,5X9,5 SHEET SS	56	127751702	GALVANIZED PROTECTION FOR CASING MP5000
18	0701.014.150	GREY WATER VALVE GACO DIM 14 SEAL CONT.			
19	140320461	OR ORM 0080-20 IN TERMOIL			
20	227751308	CHROM.CUPS PROTECTION MP5000			
21	222762307	ANTHRAC.GROUND COFFEE DOSER LID MP5000			
21	222762341	SILVER GROUND COFFEE DOSER LID MP5000			
22	149260759	GREY HOPPER GROUND COFFEE DOSER MP5000			
23	129670202	TCB PANELVIT SCREW 3,5X16 TESTA D=8 ZNP			
24	222811007	ANTHRACITE COVER S/SCR.GAGGIA MP5000			
24	222811041	SILVER COVER S/SCR.GAGGIA MP5000			
24	222811066	SILVER COVER S/SCR.GAGGIA MP5000 UL			
24	222813041	SILVER COVER S/SCR.FACTORY MP5000			
25	129660902	PANELVIT TCB SCREW 3,5X12 D.7505 Z			
26	142602050	BLACK DUMP BOX P5000			
27	145894700	ROTATING RING RETAINING INSERT			
28	147622150	BLACK FOOT FOR REVOLVING RING			
29	220380159	ROTATING RING ASS.GREY/BLACK FEET			
30	142813680	TRANSP/GREY BEAN COFFEE CONT.LID MP5000			
31	9141.051.490	GREY COFFEE GRINDER ADJUSTM.KNOB M5000			
32	129517103	SCREW TCB3,5X38,1 DIN 7981 GALV			
33	142713680	GREY BEAN CONTAINER M5000			
33	142713780	GREY BEAN CONTAINER M5000			
34	U109.029	screw AUT.TCB 3,5X32 DIN 7981 C			
35	147715659	GRY COFFEE DOSE ADJUSTM.KNOB S/SCR.M5000			
36	146001850	BLACK COFFEE DOSE ADJUSTMENT GEAR M5000			
37	146000850	BLK COFFEE GRIND.ADJUSTM.KNOB GEAR COMBI			
38	9161.270	SEAL FOR COFFEE CONTAINER			
39	281561083	CPU BOARD MP5000 GREY-WHITE/230V ASSY.			
39	281566382	M-L.CPU BOARD MP5000 GREY-WHT/120V ASSY.			
39	281566482	M-L.CPU BOARD MP5000 SV GREY-WHT/120V AS			



E74043**SUP020, SUP020R**

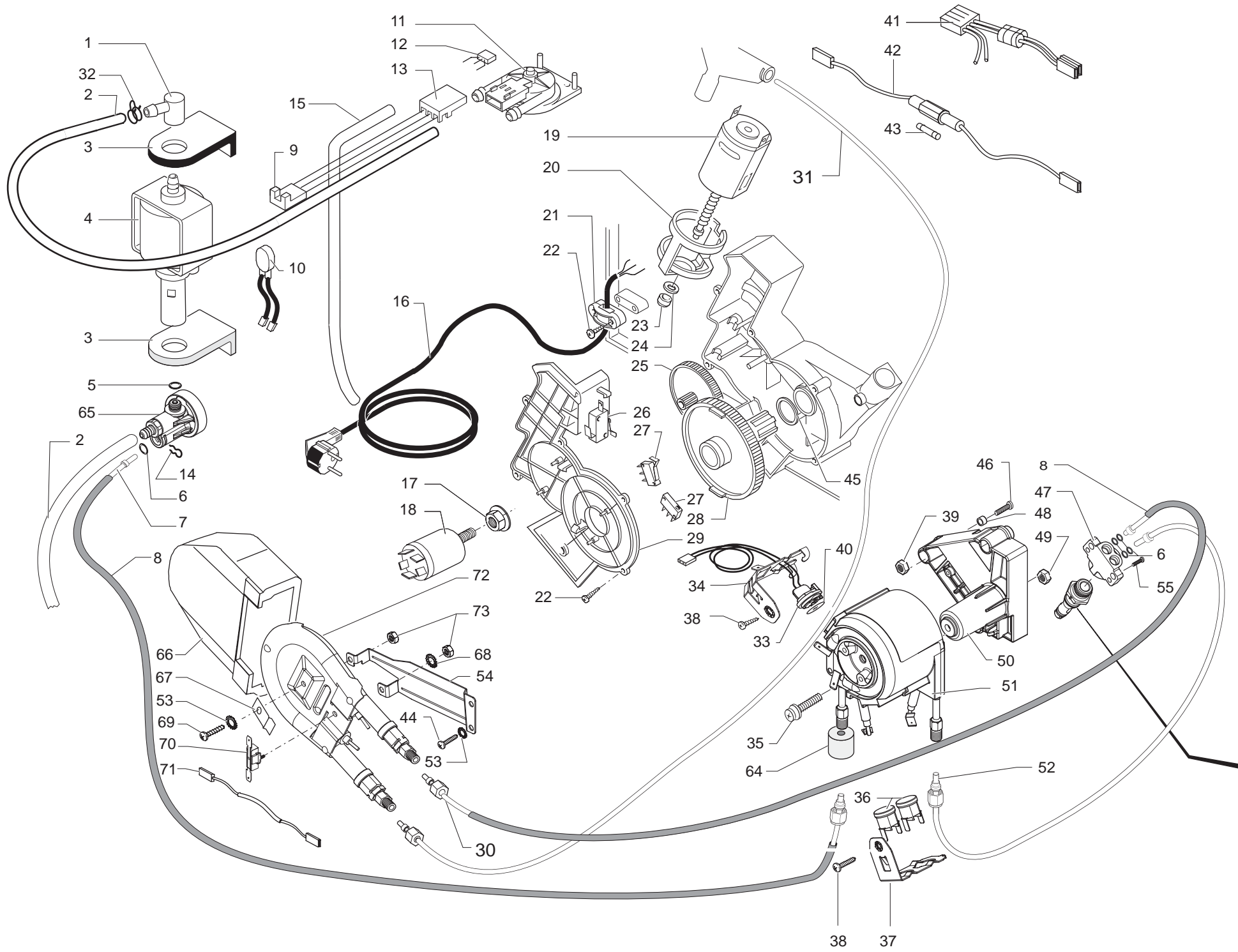
Pos	Article-Nr.	Description	Pos	Article-Nr.	Description
1	147920150	90° INLET PUMP CONNECTOR	52	9161.206	INSULATING SPACER FOR BOILER
2	149360200	SILICONE TUBE 5X8 70SR IN ROLL	53	9011.126	BRASS SUPPORT FOR ALUM.BOILER
3	149185850	EATON PUMP SUPPORT 4002012 MAGIC	54	282058158	ANOD/ALU.BOILER W/F.V2.1 M5000 SPAR.230V
4	12000140	ULKA PUMP EP5/S GW 230V-50HZ	55	9011.132	SS SPRING FOR PIN
5	140321961	OR 2031 IN TERMOIL	56	227480203	NIK/BRASS PIN FOR PISTON L=10
6	229451300	BRASS PUMP SAFETY VALVE D=8 M5000 ASSY.	57	11009019	TEA/BRASS PISTON L=20,9 ASSY.
7	9011.144	SS FORK FOR TUBE D=4	58	140320459	OR ORM 0080-20 SILICONE PTFE/FDA
8	NM02.028	OR 2015 EPDM FDA	59	9011.100	PEG FOR VALVE IN PLASTIC
9	227871900	CONNECTOR AS. TEFLON 2X4 L=250 MM	60	NM01.035	OR ORM 0090-20 SILICONE
10	283550700	3 POLES CONNECTOR TURB.JP4 MP5000 ASSY.	61	NM01.057	OR ORM 0050-20 IN SILICONE
11	289202100	THERMAL.PROTECTOR 120°C CABLES 125/545	62	289435100	GENERAL TURBINE MP5000 ASSY.
12	286473300	-M-VDE TURBINE WITH SENSOR KIT			
13	9011.099	HOT WATER PIN CURSOR			
14	9161.018	BRACKET FOR TURBINE			
15	184320200	SPRING HOSE CLAMP D=9,5MM			
16	JS01.022	SILICONE TUBE 5X10 60SH IN ROLL			
17	283910250	BLACK POWER CABLE SCHUKO + TOROIDE			
17	283940150	BLACK POWER CABLE AUSTRALIA + TOROIDE			
17	283970150	BLACK POWER CABLE UK + TOROIDE			
18	184651100	ANTIDISTURB FILTER 0,47X2+1000Y2+0,5L			
19	123453602	FLANGE NUT M8 TOOTHED BASE GALV.			
20	286891758	GEN.MOTOR FOR RATIOMOTOR MP5000 ASSY.			
21	9121.044	ANTIVIBRATION FOR MOTOR			
22	148600600	BLACK POWER CABLE CLAMP MAGIC ESP/COM.			
23	129670202	TCB PANELVIT SCREW 3,5X16 TESTA D=8 ZNP			
24	9121.046	BRONZE SINTERED BUSH FOR MOTOR RATIOMOT.			
25	148380200	BAKELIZZATE WASHER D=5,5			
26	9121.042	GEAR Z=12/90			
27	NE05.042	MICROSWITCH			
28	NE05.038	MICROSWITCH SAIA XCG5-81-P5			
29	9121.068.150	GREY GEAR Z=108 FOR MOUNTING PLATE M5000			
30	9161.200.920	TRANSPARENT RATIOMOTOR LID M5000			
31	126836517	STEEL BOILER 3THERM.RETAIN.SPRING M5000			
32	129575403	SCREW TAPT M5X10 DIN 7500C NICK			
33	140328059	OR 2015 SILICONE PTFE/FDA			
34	288581358	SENSOR MP5000/SMART 230V ASSY.			
34	288581558	SENSOR W/RES.100 OHM M5000 ASSY.			
35	189428200	THERMOSTAT 175° 1NT-08L-3794			
36	127914020	BRASS CONNECTOR 90° 1/8"GAS M5000			
38	183361362	CABLE 1WIRE SIL.BLUE + FUSE.6,3A			
39	NE13.008	FUSE 5,0X20 6,3A 250V DELAYED			
40	227872000	CONNECTOR AS. TEFLON 2X4 L=440 MM			
41	140321462	OR 2018 IN SILICONE			
42	9161.132	MYLAR WASHER FOR RATIOMOTOR			
43	123390420	BRASS NUT 1/8 GAS H=4.5 CH=13			
44	149361200	BLACK SILICONE TUBE 7,5X9,3 IN ROLL			
45	123270102	NUT M6 FLANGED TOOTHED BASE GALV.			
47	145854259	SILICONE PTFE/FDA BOILER SEAL			
49	123591222	ALUM.SPACER NEW FOR SENSOR MAGIC			
50	U046.004	screw TEFZ M6,0X26 GALV.			
51	U044.017	screw TSPC M5,0X20 UNI 7688 GALV.			



E74043

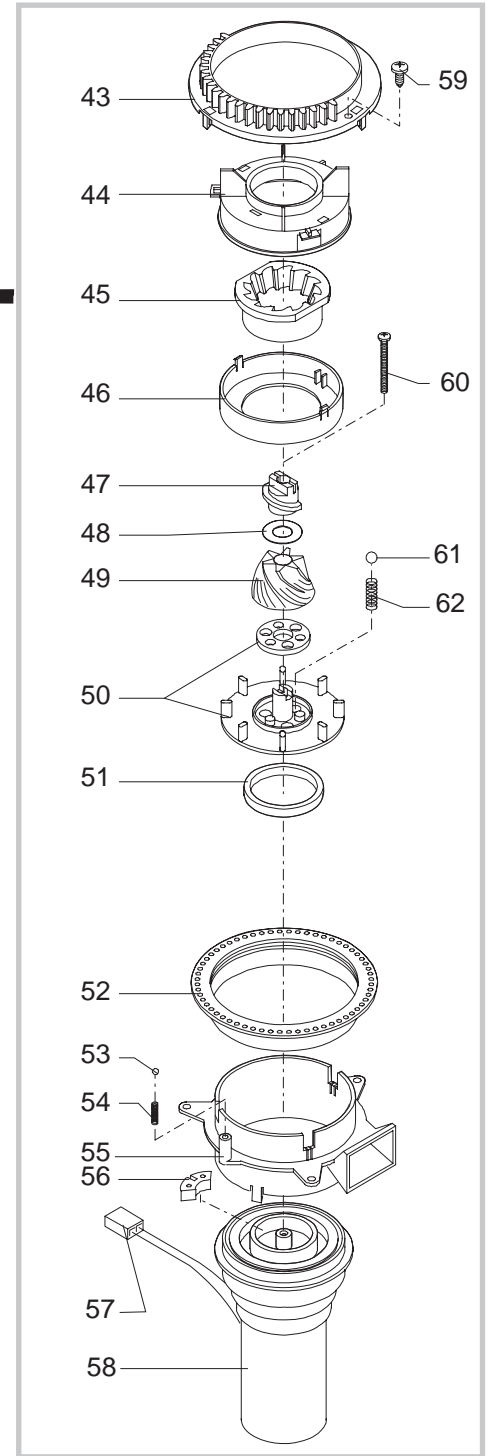
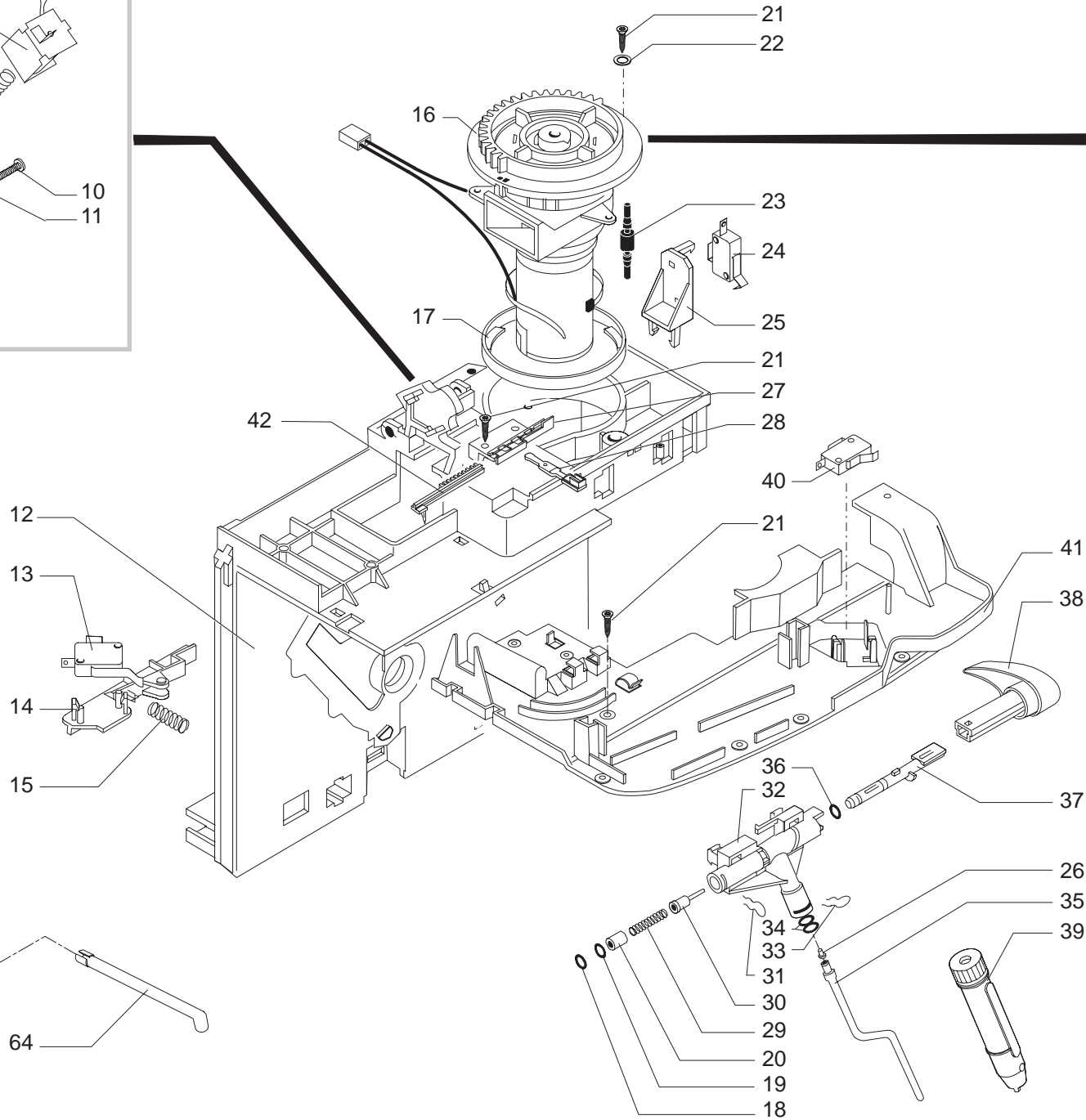
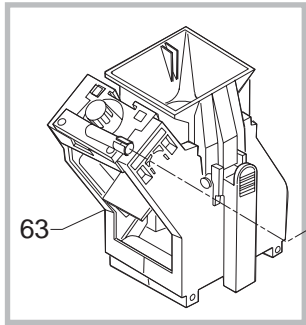
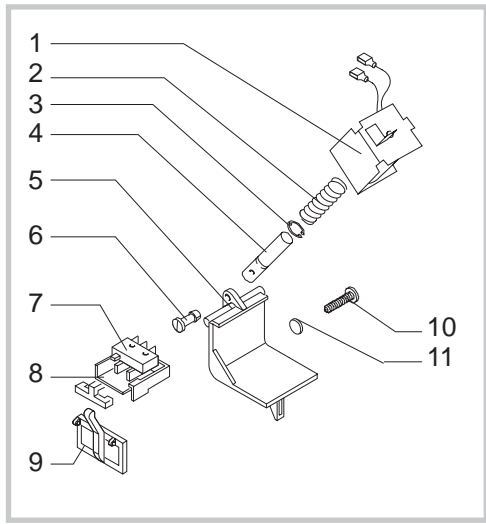
SUP020, SUP020R

Pos	Article-Nr.	Description	Pos	Article-Nr.	Description
1	147920150	90° INLET PUMP CONNECTOR	46	184320200	SPRING HOSE CLAMP D=9,5MM
2	149360200	SILICONE TUBE 5X8 70SR IN ROLL	47	129910103	HI -LO TC SCREW 3,5X15 RIF.910189
3	149185850	EATON PUMP SUPPORT 4002012 MAGIC	48	149197900	BLACK SUPPORT FOR ALUM.BOILER TYPE M5000
4	12000131	ULKA PUMP EP5/S 120V-60HZ	48	20000203	TUBOL.BOILER SUPPORT SPARES KIT M5000
4	12000140	ULKA PUMP EP5/S GW 230V-50HZ	49	282058855	V2 TUB.BOILER W/ADDIT.RESIST.1100W 120V
5	140321961	OR 2031 IN TERMOIL	49	282058858	V2 TUB.BOILER W/ADDIT.RESIST.1100W 230V
6	229452100	COMPENSATION AND SAFETY VALVE 16BAR ASSY	50	227876800	CONNECTOR TEFLON 2X4 L=235 MM ASSY.
7	9011.144	SS FORK FOR TUBE D=4	52	183361062	CABLE 1WIRE SIL.BLUE AWG18+FUUSE.15A
8	140328059	OR 2015 SILICONE PTFE/FDA	52	183361362	CABLE 1WIRE SIL.BLUE + FUSE.6,3A
9	227874900	CONNECTOR AS.TEFLON 2X4 L=250 MM	53	184950200	FUSE T15 AMP.DELAYED
10	289202400	THERMAL PROTECTOR 120°C CABLES 125/545	53	NE13.008	FUSE 5,0X20 6,3A 250V DELAYED
11	286473300	-M-VDE TURBINE WITH SENSOR KIT	54	9011.132	SS SPRING FOR PIN
13	9161.018	BRACKET FOR TURBINE	55	11009013	TEA/BRASS PIN FOR PISTON L=10
14	JS01.022	SILICONE TUBE 5X10 60SH IN ROLL	56	11009019	TEA/BRASS PISTON L=20,9 ASSY.
15	283550700	3 POLES CONNECTOR TURB.JP4 MP5000 ASSY.	57	140320459	OR ORM 0080-20 SILICONE PTFE/FDA
16	289183543	POWER CABLE ASS.USA+ANTIDIST.FILTER	58	9011.100	PEG FOR VALVE IN PLASTIC
16	11008788		59	NM01.035	OR ORM 0090-20 SILICONE
16	11001093	POWER CABLE SCHUKO+ANTIDIST.FILTER ASSY.	60	NM01.057	OR ORM 0050-20 IN SILICONE
16	11001257	POWER CABLE AUSTRAL+ANTIDIST.FILTER ASSY	61	9011.099	HOT WATER PIN CURSOR
16	11001310	POWER CABLE UK + ANTIDIST.FILTER ASSY.	100	289435100	GENERAL TURBINE MP5000 ASSY.
17	123453602	FLANGE NUT M8 TOOTHED BASE GALV.	100	282136755	TUBOL.BOILER MP5000 120V ASSY.
18	184651100	ANTIDISTURB FILTER 0,47X2+1000Y2+0,5L	100	11001097	TUBOL.BOILER MP5000 230V ASSY.
18	184651500	LOCKING SCREW ANTIDISTURB FILTER 16A			
19	11005131	GEN.MOTOR FOR RATIOMOTOR V2 MP5000 UL AS			
20	9121.044	ANTIVIBRATION FOR MOTOR			
21	148600600	BLACK POWER CABLE CLAMP MAGIC ESP/COM.			
22	129670202	TCB PANELVIT SCREW 3,5X16 TESTA D=8 ZNP			
23	9121.046	BRONZE SINTERED BUSH FOR MOTOR RATIOMOT.			
24	148380200	BAKELIZZATE WASHER D=5,5			
25	9121.042	GEAR Z=12/90			
26	NE05.042	MICROSWITCH			
27	NE05.038	MICROSWITCH SAIA XCG5-81-P5			
28	9121.068.150	GREY GEAR Z=108 FOR MOUNTING PLATE M5000			
29	9161.200.920	TRANSPARENT RATIOMOTOR LID M5000			
30	126838217	SENSOR FIXING SPRING			
31	129573202	SCREW TCB TORX 20 M4X8 AUTOFORMING ZN-B			
32	149361200	BLACK SILICONE TUBE 7,5X9,3 IN ROLL			
33	288582300	SENSOR ELECT.BOARD WITH CONNECTOR ASSY.			
34	129932202	ROUND HEAD SCREW 10.9 M5X20 GALV			
35	147756562	BLK PROTECTION FOR FOLK SPRING TUBE D=4			
36	189428600	THERMOSTAT 175° 1NT-08L-5125			
37	126838117	2 THERMOSTATS FIXING SPRING			
38	9161.132	MYLAR WASHER FOR RATIOMOTOR			
39	123160502	GALVANIZED NUT M5 HIGH UNI 5587-68			
40	145951600	ELECTRIC INSULATING D=16 SP=0,4			
41	227872000	CONNECTOR AS. TEFLON 2X4 L=440 MM			
42	129932502	SCREW TSP 5X30 PLAST.ZN-B			
42	U044.020	screw TSP M5,0X30 UNI 7688 GALV.			
43	147922700	BOILER SUPPORT CONNECTOR			
44	9161.206	INSULATING SPACER FOR BOILER			
45	123453902	SELF-LOCKI.NUT M5X0,8 DIN 980 CLA.8			



- 56 — Spring
- 57 — Pin
- 58 — Pin
- 59 — Pin
- 60 — Pin
- 61 — Pin
- 62 — Pin
- 63 — Pin

Pos	Article-Nr.	Description	Pos	Article-Nr.	Description
1	147920150	90° INLET PUMP CONNECTOR	53	128310404	WASHER UNI 8842 A4 BURNISHED
2	149360200	SILICONE TUBE 5X8 70SR IN ROLL	54	129024802	GALV.TUBOL.BOILER BRACKET SUPPORT M5000
3	149185850	EATON PUMP SUPPORT 4002012 MAGIC	55	129910103	HI -LO TC SCREW 3,5X15 RIF.910189
4	12000131	ULKA PUMP EP5/S 120V-60HZ	56	9011.132	SS SPRING FOR PIN
5	140321961	OR 2031 IN TERMOIL	57	11009013	TEA/BRASS PIN FOR PISTON L=10
6	140328059	OR 2015 SILICONE PTFE/FDA	58	11009019	TEA/BRASS PISTON L=20,9 ASSY.
7	227874900	CONNECTOR AS.TEFLON 2X4 L=250 MM	59	140320459	OR ORM 0080-20 SILICONE PTFE/FDA
8	149361200	BLACK SILICONE TUBE 7,5X9,3 IN ROLL	60	9011.100	PEG FOR VALVE IN PLASTIC
9	283550700	3 POLES CONNECTOR TURB.JP4 MP5000 ASSY.	61	NM01.035	OR ORM 0090-20 SILICONE
10	289202400	THERMAL PROTECTOR 120°C CABLES 125/545	62	NM01.057	OR ORM 0050-20 IN SILICONE
12	286473300	-M-VDE TURBINE WITH SENSOR KIT	63	9011.099	HOT WATER PIN CURSOR
13	9161.018	BRACKET FOR TURBINE	64	147756562	BLK PROTECTION FOR FOLK SPRING TUBE D=4
14	9011.144	SS FORK FOR TUBE D=4	65	229452100	COMPENSATION AND SAFETY VALVE 16BAR
15	JS01.022	SILICONE TUBE 5X10 60SH IN ROLL	66	147755100	HEAT.ELEMENT PROT.BLECKMANN M5000
16	289183543	POWER CABLE ASS.USA+ANTIDIST.FILTER	67	127535319	GALV/STEEL THERMAL FUSE FIXING PLATE
17	123453602	FLANGE NUT M8 TOOTHED BASE GALV.	69	129823802	TCB SCREW M4X8 UNI 7687 ZNP
18	184651100	ANTIDISTURB FILTER 0,47X2+1000Y2+0,5L	70	189428300	THERMOSTAT 175° INTERCONTR.161471002
19	11005131	GEN.MOTOR FOR RATIOMOTOR V2 MP5000 UL AS	71	183441062	CABLE 1WIRE SILICONE BLACK AWG18+TH/FUSE
20	9121.044	ANTIVIBRATION FOR MOTOR	72	288140455	HEATING-ELEMENT BLECKMAN ASSY.120V
21	148600600	BLACK POWER CABLE CLAMP MAGIC ESP/COM.	73	U302.003	1000W GALV.NUT HEXAGONAL M4 UNI 5588
22	129670202	TCB PANELVIT SCREW 3,5X16 TESTA D=8 ZNP	100	282136655	TUBOL.BOILER MP5000 RS 120V ASSY.
23	9121.046	BRONZE SINTERED BUSH FOR MOTOR RATIOMOT.			
24	148380200	BAKELIZZATE WASHER D=5,5			
25	9121.042	GEAR Z=12/90			
26	NE05.042	MICROSWITCH			
27	NE05.038	MICROSWITCH SAIA XCG5-81-P5			
28	9121.068.150	GREY GEAR Z=108 FOR MOUNTING PLATE M5000			
29	9161.200.920	TRANSPARENT RATIOMOTOR LID M5000			
30	227875300	CONNECTOR AS.TEFLON 2X4 L=275 MM			
31	227875700	CONNECTOR TEFLON 2X4 L=530 MM ASSY.			
33	288582300	SENSOR ELECT.BOARD WITH CONNECTOR ASSY.			
34	126838217	SENSOR FIXING SPRING			
35	129932202	ROUND HEAD SCREW 10.9 M5X20 GALV			
36	189428600	THERMOSTAT 175° 1NT-08L-5125			
37	126838117	2 THERMOSTATS FIXING SPRING			
38	129573202	SCREW TCB TORX 20 M4X8 AUTOFORMING ZN-B			
39	U310.003	nut SELF LOCK.M5 UNI 7473			
40	145951600	ELECTRIC INSULATING D=16 SP=0,4			
42	183361462	CABLE 1WIRE SIL.BLUE AWG18+FUSE.15A			
43	184950200	FUSE T15 AMP.DELAYED			
44	129573402	SCREW TAPT M4X10 DIN 7985 GALV			
45	9161.132	MYLAR WASHER FOR RATIOMOTOR			
46	U044.020	screw TSP M5,0X30 UNI 7688 GALV.			
46	129932502	SCREW TSP 5X30 PLAST.ZN-B			
47	147922700	BOILER SUPPORT CONNECTOR			
48	9161.206	INSULATING SPACER FOR BOILER			
49	123453902	SELF-LOCKI.NUT M5X0,8 DIN 980 CLA.8			
50	149197900	BLACK SUPPORT FOR ALUM.BOILER TYPE M5000			
50	20000203	TUBOL.BOILER SUPPORT SPARES KIT M5000			
51	282058855	V2 TUB.BOILER W/ADDIT.RESIST.1100W 120V			
52	227876800	CONNECTOR TEFLON 2X4 L=235 MM ASSY.			



Pos	Article-Nr.	Description	Pos	Article-Nr.	Description
1	283770755	V2 COFFEE DOSER COIL ASS.120V	48	U201.002	PLAIN WASHER 10X16X0,2DIN 988 GAL
1	283770758	V2 COFFEE DOSER COIL ASS.230V	49	226477700	KIT ITAL MILL GRINDERS
1	9129.A21.00A	DOSER COIL FOR SUPERAUTOM.230V ASSY.	50	149188750	CONICAL GRIND. SUPP. + RING MAGIC
2	126764818	SPRING ELECTROM.BEAN DOSER MAGIC	51	140360200	FELT RING 40X34X5
3	U701.003	SNAP RING 7 UNI 7434	52	146570950	RING NUT FOR GRINDING ADJUSTMENT MAGIC
4	9161.041	DOSER ELECTROMAGNET CORE	53	128610421	STAIL.STELL AISI 304 SPHERE D=3,2MM
5	9161.074.150	DOSER DOOR GREY	54	126770117	NEW SPRING SPHERE D=3,2 MOTOR MAGIG
6	9161.076.150	DOSER DOOR PIN GREY	55	149186350	BLACK GRINDER MOTOR SUPPORT MAGIC
7	NE05.017	MICROSWITCH	56	140230400	SHOCK ABS .CONICAL GRINDER SUPP.MAGIC
8	149185959	BEAN COFFEE DOSER MICRO SUPPORT MAGIC	57	283550655	2P.CONN.COFFEE GRINDER JP1MP5000 UL ASSY
9	148700559	COFFEE DOSER DOSE ADJ. SEL. GR MAG	57	283550658	2P.CONN.COFFEE GRINDER JP1 MP5000 ASSY.
10	U140.004	PANELVIT TCB 3,0X12 DIN 7505 B GAL	58	9141.075.00F	RULES WERKS COF.GRINDER MOTOR MIELE
11	9161.048	SCRAPER ROD	58	9141.037.00A	^{120V} COFFEEGRINDER MOTOR 230V
12	11009326	GREY MOUNTING PLATE M5000 UL ASSY.	59	129511803	SCREW TCB 2,9X6,4 DIN 7981 NICK
13	186724000	MICROSWITCH SAIA X3M502K8MCM92AU	60	129931002	TORX SCREW T10 TCB 3,5X40 SX ZNG
13	186724100	MICROSWITCH SAIA X3M302K2KAM92AU	61	128610521	STAIL.STEEL AISI 304 SPHERE D=5,5MM
14	9161.202.150	GREY GROUNDS MICRO COMPENSATOR M5000	62	126765517	STEEL SPRING SPHERE D=5,5 MOTOR MAGIC
15	9161.221	SPRING GROUND.MICROSUPP.COMPENSA	63	11004181	BLACK BREW UNIT NEW M5000
16	286883058	GEN.MOTOR MP5000 230V ASSY.	64	149500800	COFFEE DISPENSER TUBE S5000
16	286884755	GEN.MOTOR MP5000 120V ASSY.			
17	9141.052	BLACK COFFEEGRINDER REINFORCING RING			
18	140328161	OR D=3,85 X 1,90 IN EPDM			
19	NM02.028	OR 2015 EPDM FDA			
20	11009011	TEA/BRASS BUSH FOR FAUCET			
21	129670202	TCB PANELVIT SCREW 3,5X16 TESTA D=8 ZNP			
22	U207.004	PLAIN WASHER 4,3X16 UNI 6592 GAL			
23	9991.103	ANTIVIBRATION FOR COFFEEGRINDER			
24	NE05.043	MICROSWITCH			
25	9161.207.150	GREY FAUCET MICRO SUPPORT M5000			
26	145895000	BLACK STEAM TUBE INSERT P5000			
27	147571850	BLACK LEVER FIXING PLATE + DOSE ADJUSTM.			
28	9161.122.150	DOSE ADJUSTMENT LEVER GREY CLASSIC			
29	126765317	STEEL SPRING BOILER PISTON MAGIC			
30	11009019	TEA/BRASS PISTON L=20,9 ASSY.			
31	9011.144	SS FORK FOR TUBE D=4			
32	9161.204.G	BLACK STEAM FAUCET M5000			
33	126764018	SS SPRING D=1 STEAM TUBE HOLDER JUN.			
34	140324461	OR ORM 0060-20 IN TERMOIL			
35	11001597	SS STEAM TUBE L=130,21 MP5000 ASSY.			
36	140328561	OR D=4,18 X 1,90 IN TERMOIL			
37	9161.205	STEAM FAUCET SHAFT M5000			
38	227721959	GREY STEAM KNOB S/SCREEN MP5000			
39	147430150	PANNARELLO AS. BLACK PLASTIC			
40	186723200	MICROSWITCH SAIA 3M502K2KAM32AE			
41	149192900	BLACK FRONT PANEL SUPPORT P5000			
41	149192918				
42	148740450	TOOTHED SLIDE FOR DOSE ADJUST GEAR			
43	148650250	SECTOR GEARGRIND ADJUSTMENT KNOB COMBI			
44	149186150	BLACK UPPER GRINDER SUPPORT MAGIC			
46	142844550	UPPER GRINDER COVER COFFEE GRIND. MAGIC			
47	147470763	INCREASE SCREW PIN COFFEE GRINDER MAGIC			