

Service Service Service



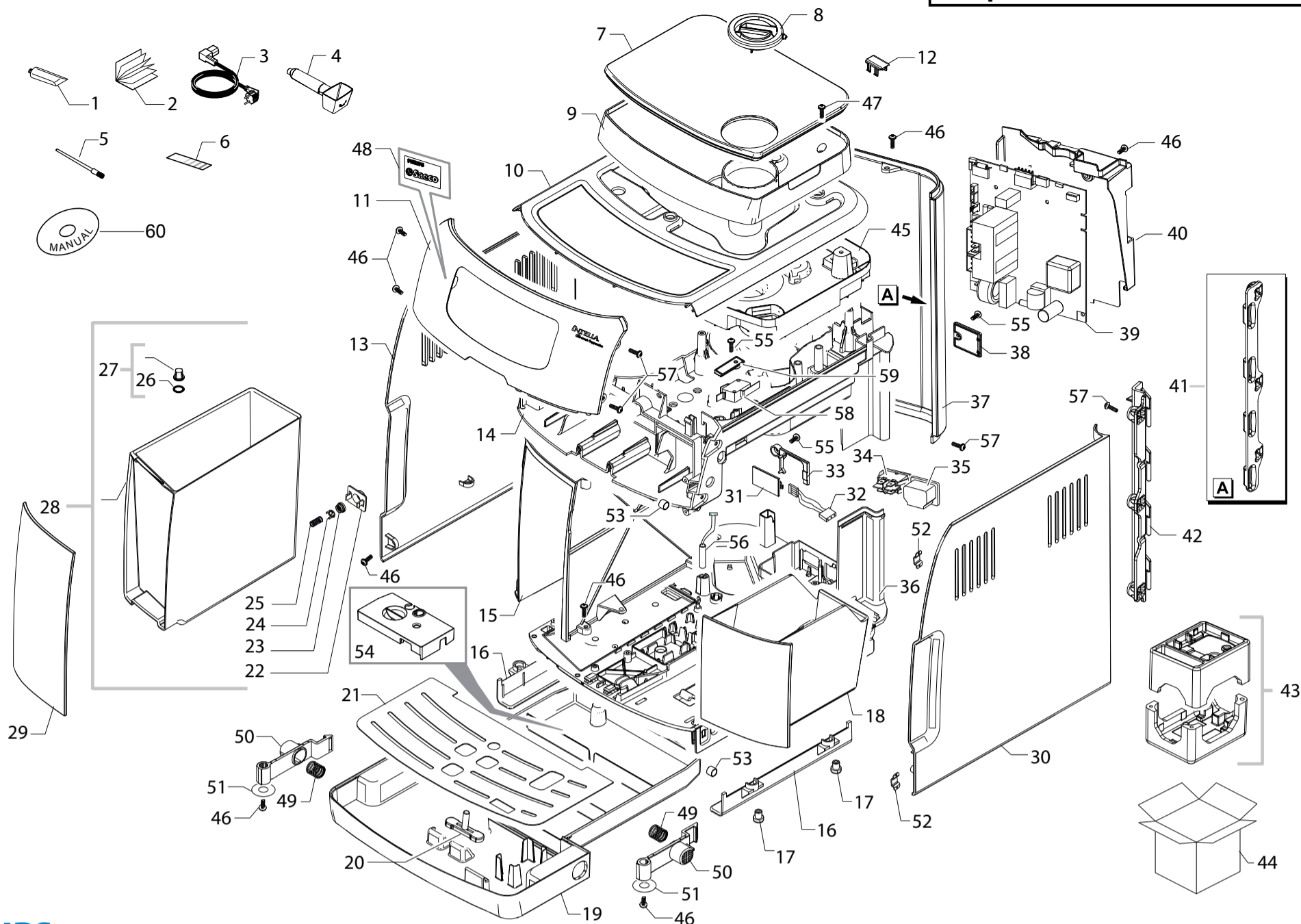
Exploded View

Contents

Table

External / Electronical components	1/7
Front panel / User interface	2/7
Milk carafe	3/7
Water system	4/7
Coffee grinder assembly	5/7
Gear motor	6/7
Brewing unit	7/7

All rights reserved. No part of this publication may be reproduced, stored in a retrieval system or transmitted, in any form or by any means, electronic, mechanical, photocopying, or otherwise without the prior permission of Saeco.



PHILIPS

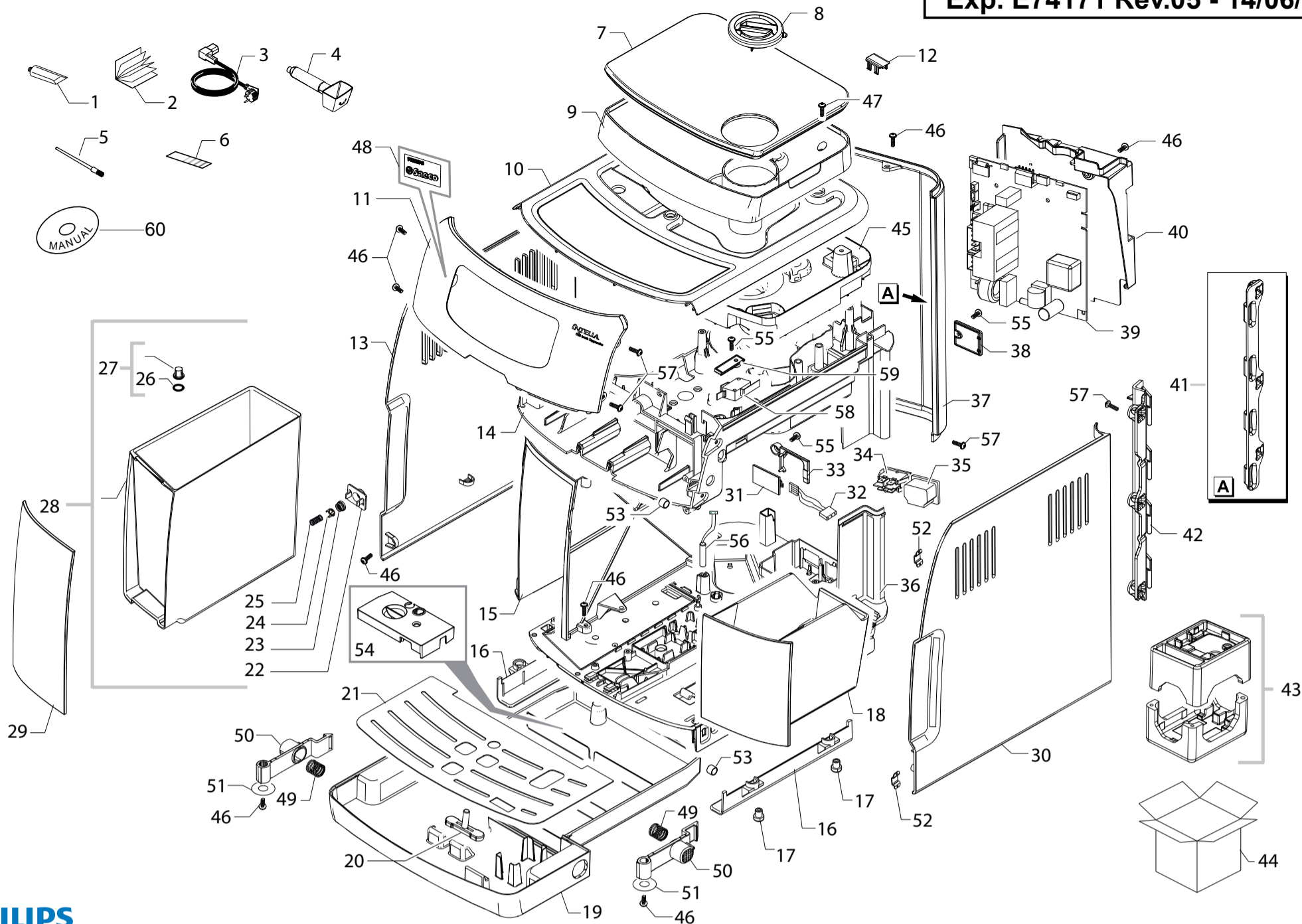
Saeco

HD8753/04-06-11-12-15-19-23-25
HD8753/81-82-83-84-87-88-89



Cod.10004081-84-3884-4079-82-85-80-4233
Cod.10003987-4109-06-4228-4107-4100-08

POS	CODE	12NC	DESCRIPTION	NOTE	POS	CODE	12NC	DESCRIPTION	NOTE
01	11028379	996530070318	PSA KLUBER TRIBOSTAR SIL 2 TUBE 5GR.		15	17001114	996530068752	BLACK CASING BOTTOM INSERT NPR	BLACK
02	15002994	996530069845	MANUAL PSA HD8753 NPR/T GB		11027799	996530068712	GREYCASING BOTTOM INSERT NPR	GREY	
	15002996	996530069853	MANUAL PSA HD8753 NPR/T FR		16	17001110	996530068723	BLACK DRIP TRAY GUIDE NPR	
	15002997	996530069836	MANUAL PSA HD8753 NPR/T ES		17	147622800	996530016875	TRANSPARENT SILICONE FOOT	
	15003076	996530070385	MANUAL PSA HD8753 NPR/T CHN		18	17000594	996530069865	BLACK DUMP BOX NPR/T	
03	183911050	996530025808	BLACK POWER CABLE SCHUKO L=1200		11030538	996530072788	MATT/BLACK DUMP BOX NPR/T		
	11001985	996530001089	BLACK POWER CABLE KOREA L=1200					UP TO S/N TU901230124979	
	183930650	996530025858	POWER CABLE CH BLACK 3X1 H05VV-F L=1200					FROM S/N TU901230124980	
	183940650	996530025872	BLACK POWER CABLE AUSTRALIA L=1200		11027522	996530069823	SPECCHIATO DUMP BOX NPR/T		
	183970350	996530025882	BLACK POWER CABLE UK L=1200					UP TO S/N TU901230124979	
	11004247	996530002167	BLACK POWER CABLE RVV 3X1 CHINA L=1200		11030566	996530072793	SPECCHIATO DUMP BOX NPR/T		
	183921950	996530025843	POWER CABLE SJT3 USA BLACK UL L=1200					FROM S/N TU901230124980	
	11004246	996530002166	BLACK POWER CABLE TAIWAN HVCTF L=1200		11028590	996530070394	SS DUMP BOX NPR/TM ASSY.		CAPP.METAL
04	146680850	996530016529	BLACK COFFEE MEASURE SMART		19	11028116	996530069787	BLACK DRIP TRAY NPR/T ASSY.	
05	127390100	996530011867	BRUSH FOR CLEANING					UP TO S/N TU901230124979	
06	0301.961	996530039604	STICKER FOR WATER HARDNESS TEST		11030716	996530072792	MATT/BLACK DRIP TRAY NPR/T ASSY.		
07	17001245	996530068681	NAT/GREY BEAN COFFEE CONTAIN.LID NPR/H-T					FROM S/N TU901230124980	
08	17001244	996530068685	NAT/GREY GROUND COFFEE HOPPER LID NPR		20	11013184	996530006683	RED FLOAT FOR DRIP TRAY XSM	
09	17001234	996530068743	NAT/GREY BEAN COFFEE CONTAINER NPR		21	17001097	996530069826	BA/SS GRATE FOR DRIP TRAY NPR/T	
10	20007027	996530069863	SPARES KIT SS/BLK UPPER CASING COV.NPR/T		22	11001298	996530000733	BLACK LID FOR DUCKBILL VALVE P0049	
			UP TO S/N TU901230124979		23	11003671	996530001829	TRANSP.VALVE FOR WATER CONTAINER P0049	
	20007114	996530072641	SPARES KIT SS/M.BLK UPP.CASING COV.NPR/T		24	11003673	996530001832	GREY WATER CONTAINER VALVE INSERT P0049	
			FROM S/N TU901230124980		25	11003672	996530001831	SS SPRING FOR WATER CONTAIN.VALVE P0049	
11	11027296	996530069874	BLACK FRONT PANEL S/SCR.NPR/T		26	140328461	996530013571	OR ORM 0190-10 EPDM	
			UP TO S/N TU901230124979		27	224640200	996530029115	WHITE WATER CONTAINER EXT.FILTER ASSY.	
	11030596	996530072794	MATT/BLACK FRONT PANEL S/SCR.NEW NPR/T		28	11026289	996530068674	NAT/GREY WATER CONTAINER NPR ASSY.	
			FROM S/N TU901230124980		29	17001120	996530068661	BLACK WATER TANK FRONT COVER NPR	
	11027525	996530069872	SPECCHIATO FRONT PANEL S/SCR.NPR/T					UP TO S/N TU901230124979	
			UP TO S/N TU901230124979		11030535	996530072456	MATT/BLACK WATER TANK FRONT COVER NPR		
	11030597	996530072789	SPECCHIATO FRONT PANEL S/SCR.NEW NPR/T					FROM S/N TU901230124980	
			FROM S/N TU901230124980		11028543	996530069811	SPECCHIATO WATER TANK FRONT COVER NPR		
	11030232	996530072786	SS FRONT PANEL V2 S/SCR.NPR/TM ASSY.	CAPP.METAL				UP TO S/N TU901230124979	
12	17001380	996530069844	TRANSP.COVER INFRAREDS ACCESS NPR/T		11030558	996530072787	SPECCHIATO WATER TANK FRONT COVER NPR		
13	17001299	996530068729	MATT/BLACK LEFT SIDE CASING NPR					FROM S/N TU901230124980	
14	11030131	996530071883	BLK COFFEE GRINDER SUPP.PLATE V2 NPR/T		11028561	996530070361	SS WATER TANK FRONT COVER NPR/HM ASSY.		CAPP.METAL



PHILIPS

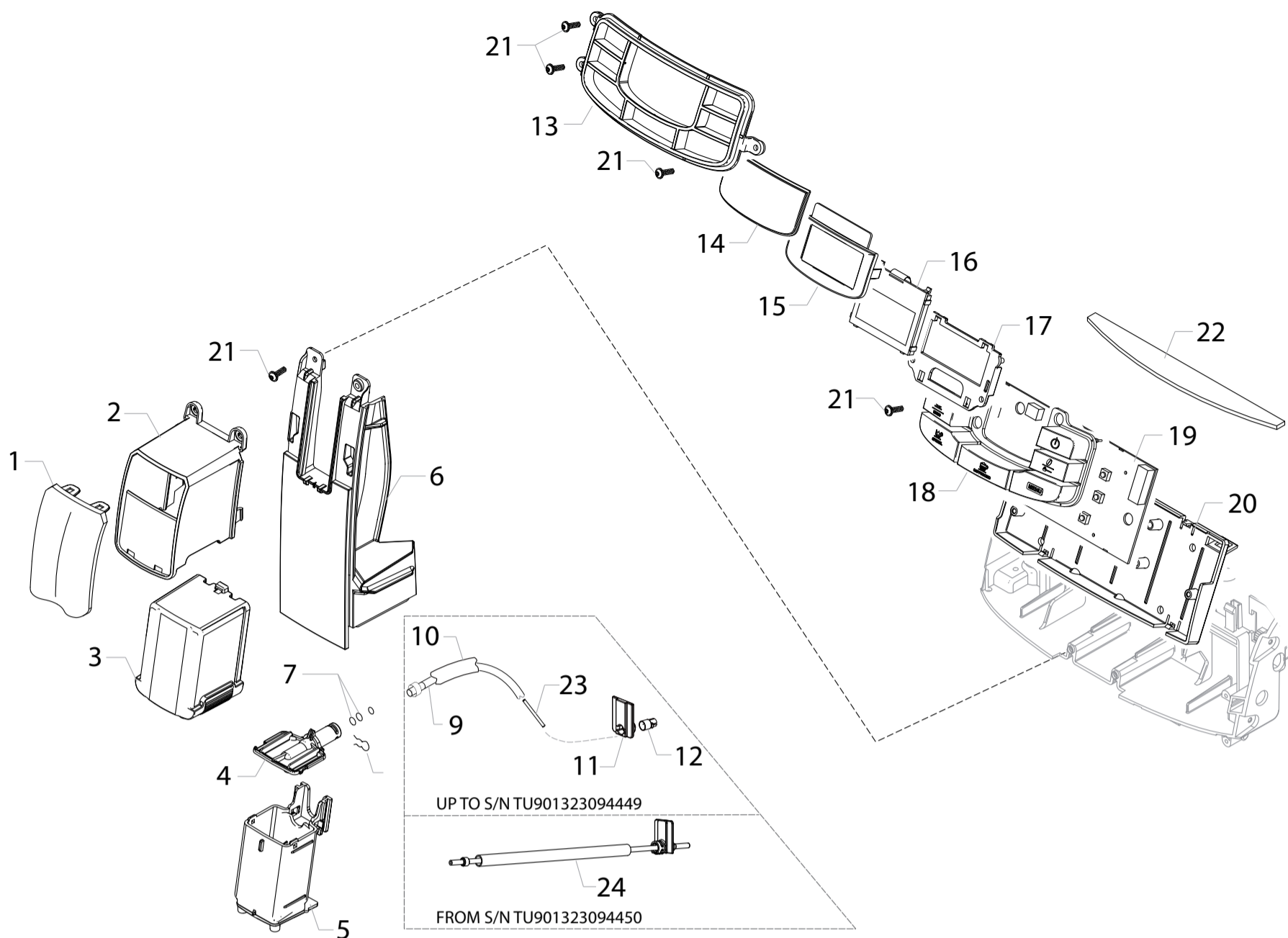
Saeco

HD8753/04-06-11-12-15-19-23-25
HD8753/81-82-83-84-87-88-89



Cod.10004081-84-3884-4079-82-85-80-4233
Cod.10003987-4109-06-4228-4107-4100-08

POS	CODE	12NC	DESCRIPTION	NOTE	POS	CODE	12NC	DESCRIPTION	NOTE
30	17000739	996530072473	MATT/BLACK RIGHT SIDE DOOR V2 NPR		50	17001274	996530069806	BLACK DRIP TRAY LOCKING INSERT NPR/T	
31	11003232	996530001522	AS.CPU+SW WATER LEVEL SENSOR V2		51	U207.004	996530062034	PLAIN WASHER 4,3X16 UNI 6592 GAL	
	11000651	996530000425	WATER LEVEL SENSOR BOARD P124	120V	52	11013220	996530069857	STEEL PLATE FOR DOOR MAGNET XSM	
32	17800165	996530068745	3POLES CONNECTOR WATER LEVEL CLP UL		53	9161.111	996530050555	MAGNET FOR FLOAT SUPERAUT.	
33	17001179	996530068749	BLK CAPACIT.SENSOR LOCKING INSERT NPR		54	17000838	996530069839	BLACK DRIP TRAY COVER NPR/T	
34	NE03.038	996530058836	BIPOLAR SWITCH FUSIT C1250AR		55	129913202	996530013156	SCREW TCB TORX 10 3X8 PLAST.ZN-B	
35	12001883	996530072437	CUP SOCKET V3 EN 60320 C 13		56	17800432	996530072785	2POLES CONNECT.SENSOR REED DOOR V2 G0053	
	12001645	996530069782	CUP SOCKET V2 EN 60320 C 13	UL	57	12001728	996530070321	SCREW TCB TORX 10 3,5X12 PLAST.SS	
36	17000813	996530069809	BLACK CASING BOTTOM NPR/T		58	12001890	996530073209	MICROSWITCH XG/V3D	
37	17001240	996530068714	MATT/BLACK REAR CASING NPR		59	17000064	996530067437	BLK CAPACIT.SENSOR DEADLOCK INSERT XSM	
38	17001484	996530068728	MATT/BLK REAR CASING PROGRAM.INSERT NPR		60		421940438781	DOCUMENT.DVD V2 NPR INTELIA/INTUITA ASSY	
39	11026677	996530069795	AS.CPU+SW NPR/T 230V	230V					
			UP TO S/N TU901228113257						
	11030736	996530072671	CPU+SW V2 NPR/T 230V ASSY.	230V					
			FROM S/N TU901228113258						
	11028197	996530071884	AS.CPU+SW NPR/T 120V	120V					
			UP TO S/N TU901228113257						
	11030735	996530072795	CPU+SW V2 NPR/T 120V ASSY.	120V					
			FROM S/N TU901228113258						
40	11012301	996530006364	BLACK PWR/CPU BOARD PROTECTION P0057						
41	11012714	996530006495	BLACK HINGE FOR REAR CASING XSM						
42	11012713	996530006494	BLACK HINGE FOR DOOR RIGHT SIDE XSM						
43	20007026	996530069832	KIT PS-E INSERT FOR BOX NPR/T						
44	13001407	996530069864	DISPLAY BOX NRP/T PSA INTELIA CAPP.WE	CAPP.WE					
	13001464	996530070392	DISPLAY BOX NRP/T PSA INTELIA CAPP.FE	CAPP.FE					
	13001433	996530070382	DISPLAY BOX NRP/T PSA INTELIA CAPP.CEE	CAPP.CEE					
	13001438	996530070387	DISPL.BOX NPR/TM PSA INTELIA CAPP.MET.WE	CAPP.MET.WE					
	13001439	996530072791	DISP.BOX NPR/TM PSA INTELIA CAPP.MET.CEE	CAPP.MET.CEE					
	13001460	996530071882	DISP.BOX NPR/TM PSA INTELIA CAPP.MET.USA	CAPP.MET.USA					
45		421944002281	BLK COFF.GRIND.SOUNDPROOFING COV.V2 NPR						
46	12000450	996530007819	SCREW TCB TORX 10 3,5X12 PLAST.ZN-N						
47	129914002	996530013165	SCREW TCB TORX 10 3,5X16 PLAST.ZN-B						
48	11025026	996530068191	ADHES.SILVER PLATE LOGO PHILIPS-SAECO						
49	11000759	996530000487	HOT WATER TUBE SPRING P124						



PHILIPS

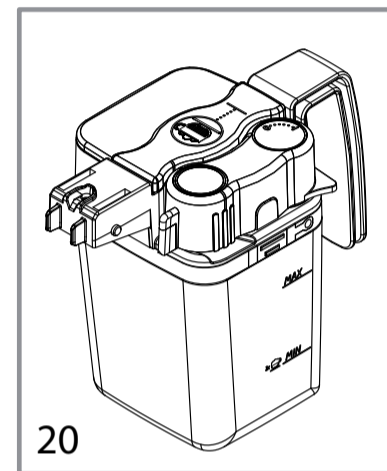
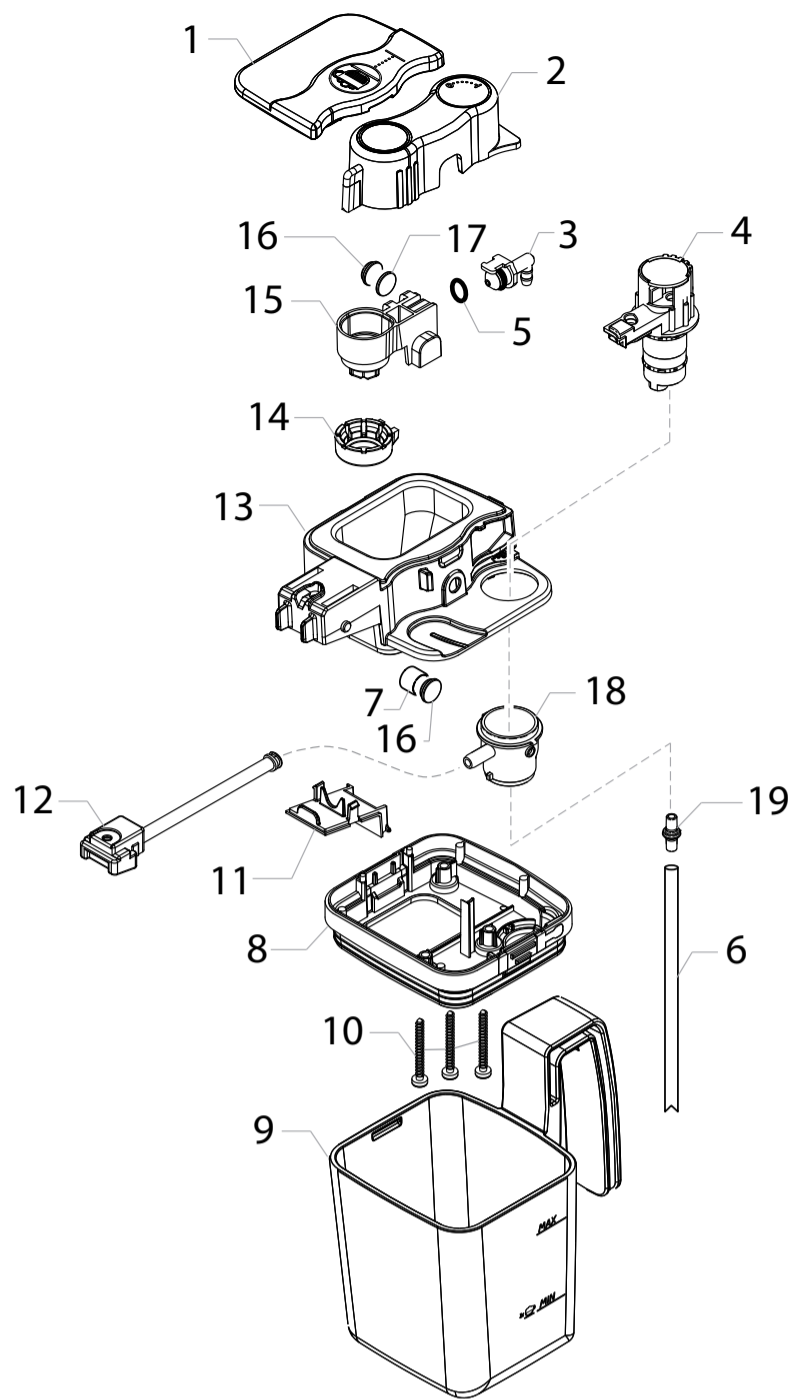
Saeco

HD8753/04-06-11-12-15-19-23-25
HD8753/81-82-83-84-87-88-89



Cod.10004081-84-3884-4079-82-85-80-4233
Cod.10003987-4109-06-4228-4107-4100-08

POS	CODE	12NC	DESCRIPTION	NOTE	POS	CODE	12NC	DESCRIPTION	NOTE
01	17001031	996530069805	BLK COFFEE DISPENSER FRONT PLATE NPR/T UP TO S/N TU901230124979		19	11025830	996530068721	KYB - INTERFACE NPR/H-T	
	11030537	996530072797	MATT/BLK COF.DISPENSER FRONT PLATE NPR/T FROM S/N TU901230124980		20	11030078	996530071879	BLACK DISPLAY KEYBOARD SUPPORT V2 NPR	
	11027520	996530069792	SPECCH.COF.DISPENSER FRONT PLATE NPR/T UP TO S/N TU901230124979		21	12000450	996530007819	SCREW TCBR TORX 10 3,5X12 PLAST.ZN-N	
	11030715	996530072796	SPECCH.COF.DISPENSER FRONT PLATE NPR/T FROM S/N TU901230124980		22	17001379	996530069814	BLACK ADHESIVE AERSTOP NPR	
	11028589	996530070369	SS COF.DISPENS.FRONT PLATE NPR/HT-TM ASS	CAPP.METAL	23	17000266	996530071774	SS.L=22,6MM INT.BUSH FOR TEFLON TUBE D4	
02	17001239	996530068699	BLACK COFFEE DISPENSER LID NPR UP TO S/N TU901230124979		24	11031203	996530073357	TEFL.TUBE 2X4 L=235+PLATE+2BUSH NPR ASSY FROM S/N. TU901323094450	
	11030531	996530072512	MATT/BLACK COFFEE DISPENSER LID NPR FROM S/N TU901230124980						
03	17001242	996530068698	MATT/BLK COFFEE DISPENS.MOBILE PART NPR						
04	17001246	996530068742	BLACK COFFEE DISPENSER BODY LID NPR						
05	17001894	996530071881	BLACK COFFEE DISPENSER BODY V2 NPR						
06	17000772	996530069789	BLACK FRONT CASING COVER V2 NPR UP TO S/N TU901230124979						
	11030536	996530072527	MATT/BLACK FRONT CASING COVER V2 NPR FROM S/N TU901230124980						
	11028542	996530069808	SPECCHIATO FRONT CASING COVER V2 NPR UP TO S/N TU901230124979						
	11030563	996530072798	SPECCHIATO FRONT CASING COVER V2 NPR FROM S/N TU901230124980						
	11028558	996530070368	SS FRONT CASING COVER NPR/HM ASSY.	CAPP.METAL					
07	140328059	996530013564	OR 2015 SILICONE PTFE/FDA						
08	9011.144	996530048885	SS FORK FOR TUBE D=4						
09	11004132	996530002073	TEFLON TUBE 2X4 L=250 MM ASSY.						
10	149361200	996530018278	BLACK SILICONE TUBE 7,5X9,3 IN ROLL	IN ROLL					
11	11005100	996530002748	PLATE FOR BUSH TEFLON TUBE 2X4 P124						
12	11005101	996530002749	BLACK BUSH FOR TEFLON TUBE 2X4 P124						
13	11030922	996530072686	CRC TOUCH PANEL FRAME NPR/T						
14	17001112	996530068675	TRANSP.GLASS FOR DISPLAY NPR						
15	17001111	996530068673	MATT/BLACK DISPLAY FRAME NPR						
16		421941300941	DISPLAY LCD 128X64 SMR						
17	17001100	996530068682	BLACK DISPLAY SUPPORT NPR						
18	11027330	996530069871	SILVER 7BUTTONS TOUCH PANEL S/SCR.NPR/T						



PHILIPS

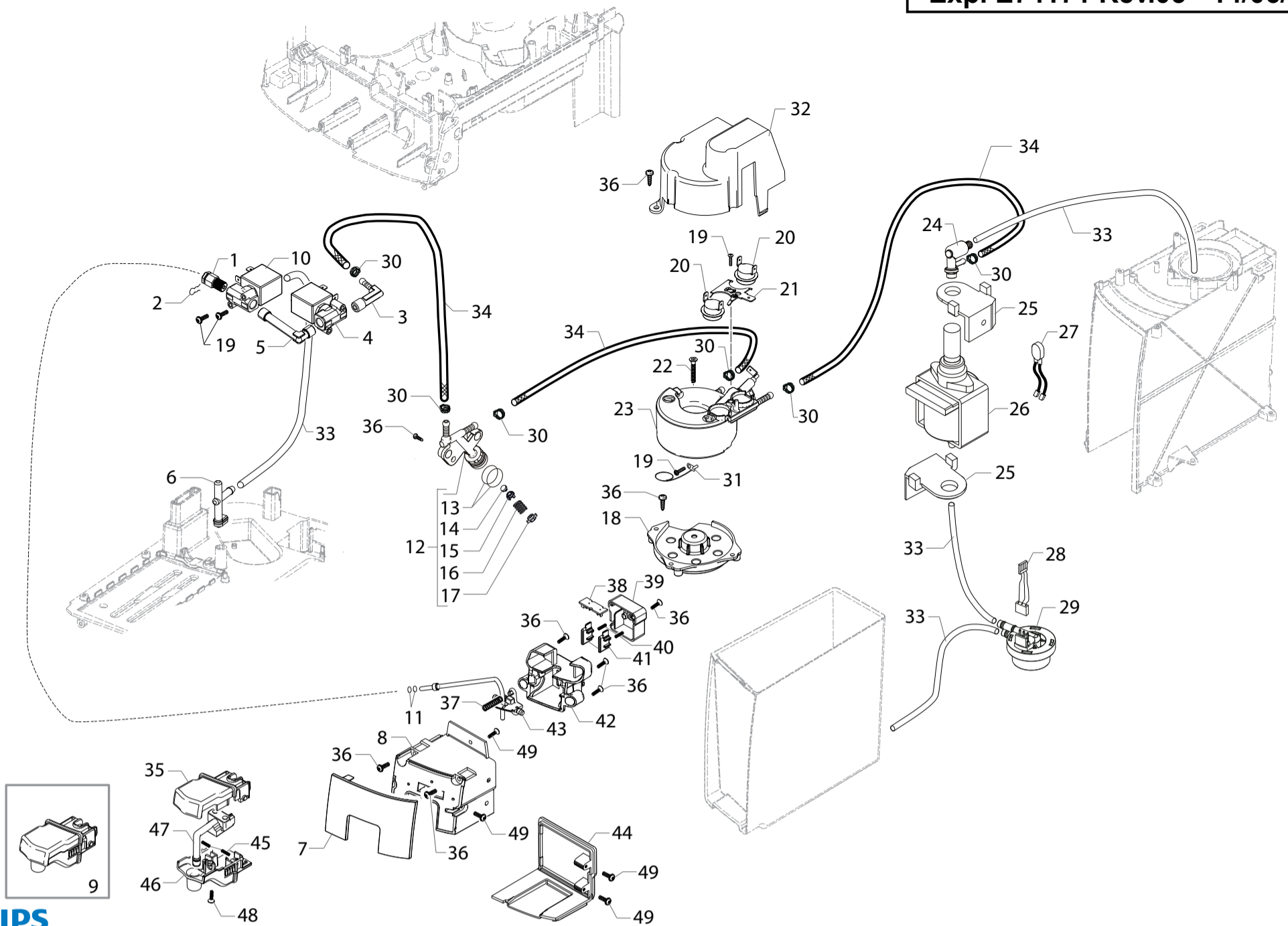
Saeco

HD8753/04-06-11-12-15-19-23-25
HD8753/81-82-83-84-87-88-89



Cod.10004081-84-3884-4079-82-85-80-4233
Cod.10003987-4109-06-4228-4107-4100-08

POS	CODE	12NC	DESCRIPTION	NOTE	POS	CODE	12NC	DESCRIPTION	NOTE
01	11030764	996530072653	MATT/BLACK CARAFE COVER PLUG NPR/T						
02	17000953	996530072647	MATT/BLK CARAFE CAPPUC.COVER V2 NPR/T						
03	17001194	996530069788	CARAFE STEAM OUTPUT CONNECT.NPR/T ASSY.						
04	17000843	996530069801	BLACK CARAFE CAPPUC.PIN NPR/T ASSY.						
05	NM01.028	996530059392	O-RING 106 SILICONE						
06	11027297	996530069794	SILICONE TUBE 3,5X6 L= 75 MM						
07	9.161.111	996530050555	MAGNET FOR FLOAT SUPERAUT.						
08	11030762	996530072645	MATT/BLACK LOWER COVER PART CARAFE NPR/T						
09	17001257	996530072938	TRANSP.CARAFE V3 NPR/T						
10	129914002	996530013165	SCREW TCB TORX 10 3,5X16 PLAST.ZN-B						
11		421944001291	BLK CARAFE REAR COVER INSERT V2 NPR/T						
12	17000585	996530069827	BLACK CARAFE MILK DISPENSER TUBE NPR/T						
13	11030761	996530072649	MATT/BLACK UPPER COVER PART CARAFE NPR/T						
14	17000822	996530069837	BLK CAPPUC.OUTPUT MILK CONN.CARAFE NPR/T						
15	17000489	996530069847	BLACK CARAFE CAPPUC.CASING NPR/T						
16	11014016	996530006968	SS.INSERT FOR MAGNET MYB9						
17	9.991.093	996530051816	MAGNET D=9,5 X H=1,5						
18	17001604	996530071934	BLACK CARAFE COVER BUSH V2 NPR/T						
19	17001362	996530068626	BLK MILK INTAKE TUBE CONNECT.INS.V2 RYL						
20	11030841	996530072643	TRANSP-MATT/BLK GEN.CARAFE NPR/T ASSY.						



PHILIPS

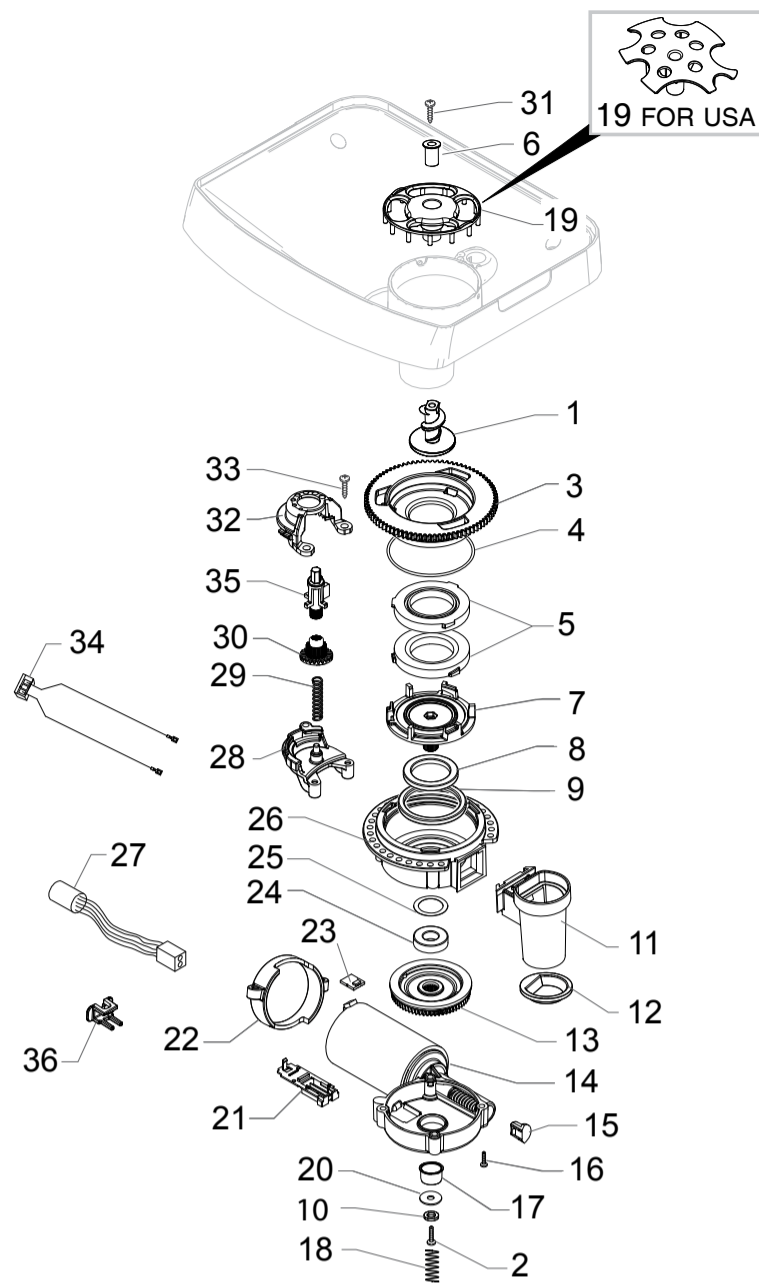
Saeco

HD8753/04-06-11-12-15-19-23-25
HD8753/81-82-83-84-87-88-89



Cod.10004081-84-3884-4079-82-85-80-4233
Cod.10003987-4109-06-4228-4107-4100-08

POS	CODE	12NC	DESCRIPTION	NOTE	POS	CODE	12NC	DESCRIPTION	NOTE
01	11027572	996530072695	L-F/BRASS CONNECTOR 1/8" FOR TUBE D=4		27	17800230	996530068726	2POLES CONNECTOR PUMP CLP UL	
02	9011.144	996530048885	SS FORK FOR TUBE D=4		28	17800229	996530068671	3POLES CONNECTOR FLOWMETER CLP UL	
03	17001269	996530070397	L-F/BRASS 90°CONNECT.FOR FAUCET EV.NPR/T		29	NV99.099	996530059843	TURBINE D=1,2 932-8521/00 ASSY.	
04	11024038	996530067667	BRASS 2WAY EV 21JN1RRV20-XT+LBV05024CU		30	12000892	996530007947	OETIKER CLAMP D=9,5 16700004	
05	11031400	996530073514	L-F/BRASS 90 CONNECTOR V2 FOR FAUCET EV.		31	190800100	996530026997	TEMPERATURE SENSOR NTC UL L=280MM	
06	17000980	996530067657	BLACK WATER DRAINAGE CONNECTOR XSMC		32	17001440	996530068747	BLK BOILER INSULATING COVER NPR	
07	17000595	996530069786	BLK CARAFE INSERT BODY FRONT COVER NPR/T		33	JS01.022	996530057357	SILICONE TUBE 5X10 60SH IN ROLL	IN ROLL
	11030540	996530072801	MATTBLK CARAFE INS.BODY FRON.COVER NPR/T		34	16000380	996530009505	5X8,9 SILICONE TUBE IN ROLL	IN ROLL
	11027527	996530069796	SPECCH.CARAFE INS.BODY FRONT COVER NPR/T		35	11030763	996530072648	MATT/BLK UPPER BODY HOT WATER DISP.NPR/T	
	11030568	996530072799	SPECCH.CARAFE INS.BODY FRONT COVER NPR/T		36	12000450	996530007819	SCREW TCBR TORX 10 3,5X12 PLAST.ZN-N	
	11028591	996530070396	SS CARAFE INS.BODY FRONT COVER NPR/TMAS	CAPP.METAL	37	17000006	996530009559	TWO WAY TEFLON TUBES SUPPORT SPRING MYB9	
08	17000600	996530069804	BLACK CARAFE INSERT BODY NPR/T		38	11027553	996530069819	CARAFE PRESENCE BOARD NPR/T	
09	11030842	996530072651	MATT/BLK HOT WATER DISPENSER NPR/T ASSY.		39	17001331	996530069841	TRANSP.CARAFFE BOARD COVER NPR/T	
10	11024039	996530067613	3WAY EV OT57 (31JN1XRV20-SXT+LBV05024CU)		40	17000019	996530009566	SS CARAFE MICRO INSERT SPRING MYB9	
11	140328059	996530013564	OR 2015 SILICONE PTFE/FDA		41	17001329	996530069817	BLACK CARAFE MICRO INSERT NPR/T	
12	17000114	996530068077	FLOW SELECTOR FAUCET NPR		42	17000601	996530069855	BLACK CARAFE GRAFT BODY INSERT NPR/T	
13	12000893	996530007948	OR ORM 0120-20 BLACK EPDM		43	11027510	996530069851	WHT PREFORM.TEFLON TUBE SUPP.NPR ASSY.	
14	11008104	996530004722	MUSHROOM VALVE FOR FLOW SELECTOR P0057		44	17001142	996530069799	BLK CARAFE INSERT BODY REAR COVER NPR/T	
15	11008105	996530004723	FLOW SELECTOR VALVE SUPPORT P0057		45	11005395	996530002873	STEEL MILK CONTAINER SUPPORT SPRING P124	
16	11008077	996530004709	STEEL FLOW SELECTOR VALVE SPRING P0057		46	17001205	996530069867	BLK LOWER BODY HOT WATER DISPENS.NPR/T	
17	11008106	996530004724	FLOW SELECTOR VALVE CAP P0057		47	17001215	996530069842	BLACK HOT WATER DISPENSER TUBE NPR/T	
18	11022791	996530007442	BLACK SLIM/EXSL TUB.BOILER SUPPORT		48	129913902	996530013164	SCREW TCB TORX 10 3X12 PLAST.ZN-B	
19	129823802	996530013077	TCB SCREW M4X8 UNI 7687 ZNP		49	12001728	996530070321	SCREW TCBR TORX 10 3,5X12 PLAST.SS	
20	12001033	996530007973	THERMOSTAT ONE SHOT 190°			11026286	996530068717	HP/SLIM TUB.BOILER STD 1900W 230V ASSY.	COMPLETE
21	11001751	996530000997	TUB.BOILER V3 UPPER THERM.FIXING SPRING			11026684	996530069761	SLIM TUB.BOIL.C1 T190°-190°1300W 120V AS	COMPLETE
22	12001280	996530008024	SCREW TSP TORX 10 5X20 PLAST.ZN-B						
23	17000346	996530068751	HP/SLIM TUB.BOILER 1900W 230V ASSY.	230V-1900W					
	11023153	996530007586	SLIM TUB.BOILER 1300W 120V ASSY.	120V 1300W					
24	11004689	996530002484	TEA/BRASS SAFETY VALVE 16-18 BAR ASSY.						
25	149205850	996530018056	BLACK TYPE ULKA PUMP W/BEVEL SUPPORT						
26	12000140	996530007753	ULKA PUMP EP5/S GW 230V-50HZ	230V-50HZ					
	12000142	996530007754	ULKA PUMP EAP5/S 120V-60HZ	120V-60HZ					
	12000182	996530007782	ULKA PUMP EP5/S GW 220V-60HZ	220V-60HZ					



PHILIPS

Saeco

HD8753/04-06-11-12-15-19-23-25
HD8753/81-82-83-84-87-88-89

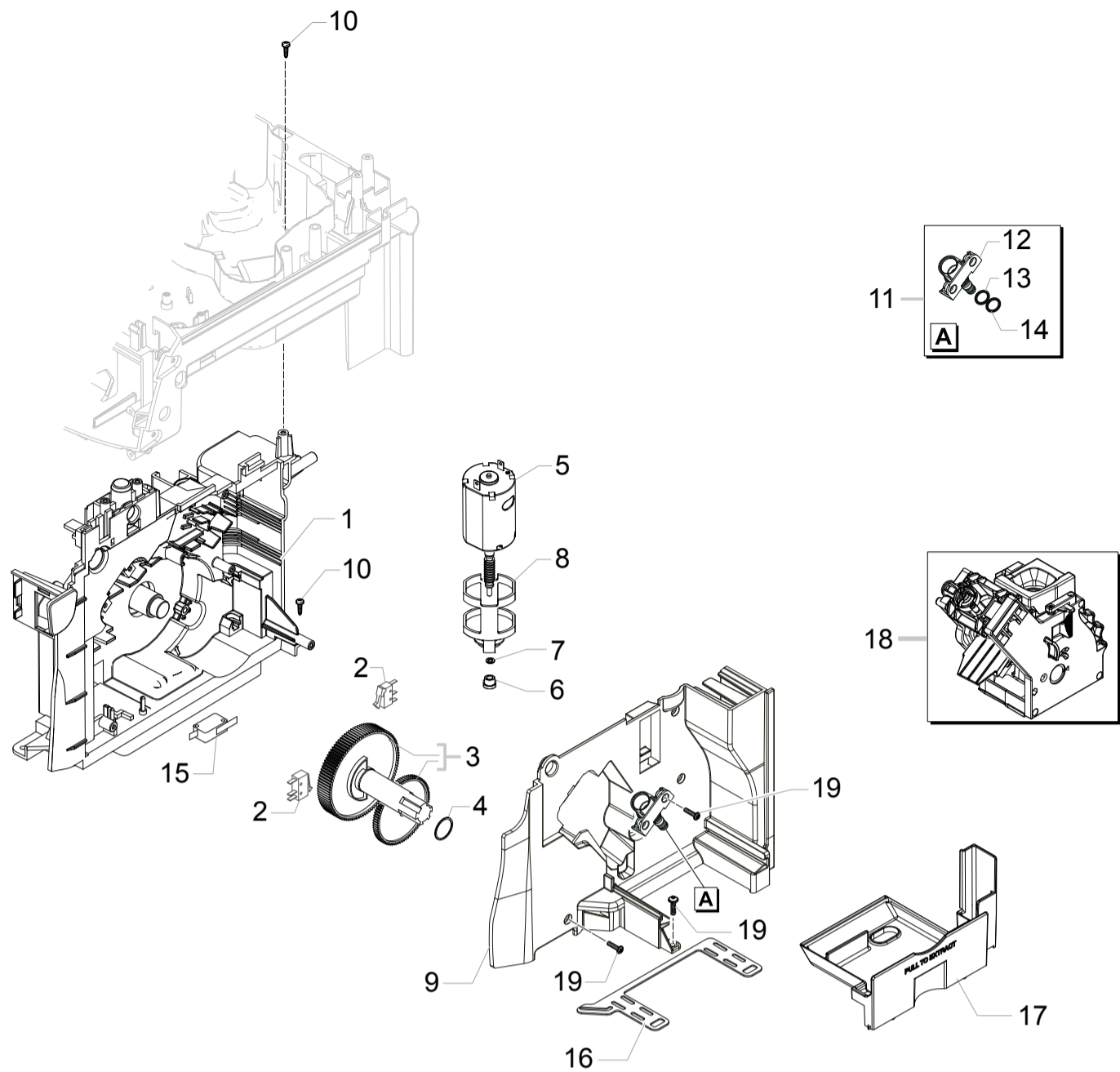


Cod.10004081-84-3884-4079-82-85-80-4233
Cod.10003987-4109-06-4228-4107-4100-08

POS	CODE	12NC	DESCRIPTION	NOTE	POS	CODE	12NC	DESCRIPTION	NOTE
01	11010031	996530005586	TEA/ZAMA INCREASE SCREW GRINDER		35	11003446	996530001673	BLACK BEAN COFFEE GRINDER INSERT P0049	
	11024208	9965300066712	TEA SHORT ZAMA INCREASE SCREW GRINDER	FOR USA	36	17001921	996530072477	BLK WIRING FIX INSERT FOR GRINDER BOARD	
02	129574802	996530012928	SCREW TCB TORX 20 M4X30 ZN-B						
03	149198250	996530017951	BLK UPPER COFFEEGRINDER GRINDER SUPPORT		11026298	996530068697	GEN.MOTOR COFFEE GRINDER NPR 230V ASSY.	230V	
04	140328960	996530013577	OR ORM 0530-15 NBR FDA		11029730	996530071876	GEN.MOTOR COFF.GRINDER NPR 120V UL ASSY.	120V UL USA	
05	146520100	996530016342	BAKED CLAY GRINDER 48X28		11028279	996530071878	GEN.MOTOR COFFEE GRINDER NPR 120V ASSY.	120V BRA/TW	
06	11012466	996530006412	BRASS BUSH BEAN CONT.FINGER PROTEC.P0057						
07	149198350	996530017952	BLK LOWER COFFEEGRINDER GRINDER SUPPORT						
08	123030300	996530011183	AXIAL BEARING EKKO 342.35252						
09	140360500	996530013597	FELT RING 45,4X39,4X4						
10	128310402	996530012341	GALV.WASHER UNI 8842 A4						
11	11026355	996530068049	BLK GROUND COFF.OUTLET CONVEYOR V4 ASSY.						
12	11030459	996530072511	GRY GROUND COFFEE CONT.LOWER SEAL SMART1						
13	226000300	996530029609	GEAR SX Z=38 FOR GRINDER MOTION ASSY.						
14	11000513	996530000317	MOTOR COFFEEGRINDER V3.1 230V ASSY.	230V					
	11000511	996530000315	MOTOR COFFEEGRINDER V3.1 120V ASSY.	120V					
15	149214800	996530018139	MC V3 MOD=1,25 WORM SCREW CENTRING CAP						
16	129661702	996530012992	SCREW TCB TORX 3,5X30 PLAST.ZN-B						
17	11002873	996530001389	INSULATOR BUSH FOR GRINDER MOTOR P124						
18	11000597	996530000376	STEEL COF.GRINDER SUPPORT SPRING P124						
19	11014285	996530007058	BLK V2 BEAN CONTAIN.FINGER PROTECT.P0057						
	17001333	996530071877	TRANS.BEAN CONTAIN.FINGER PROTECT.NPR UL	FOR USA					
20	128381902	996530012375	STEEL FLAT WASHER DI=4,3 DE=14 SP=1,5						
21	149199050	996530017963	BLK SENSOR SUPPORT FOR COF.GRINDER MOTOR						
22	11000194	996530000115	BLACK COFFEEGRINDER MOTOR SUPPORT P124						
23	181540900	996530022784	ELECTR.BOARD WITH SENSOR HAL506 SF-K						
24	123030200	996530011182	RADIAL BEARING 61900.2RS1						
25	128381800	996530012374	STEEL CRINKLE WASHER 21,8X14X0,25						
26	142905450	996530015258	BLK UPPER BODY WITH COFFEE GROUND OUTLET						
27	17800302	996530068114	3POLES CONNECTOR MC SENSOR NPR UL						
28	11002613	996530001314	LOWER COFFEEGRINDER GEAR SUPPORT P124						
29	11002572	996530001308	COFFEEGRINDER REGULATION SPRING P124						
30	11003784	996530001907	COFFEE GRINDING ADJUSTMENT GEAR P0049						
31	U043.004	996530061808	ZN-B TCB SCREW M4X16						
32	11002508	996530001296	UPPER COFFEEGRINDER GEAR SUPPORT P124						
33	129914002	996530013165	SCREW TCB TORX 10 3,5X16 PLAST.ZN-B						
34	17800301	996530068113	2POLES CONNET.COFFEEGRINDER MOTOR NPR UL						

PSA INTELIA CAPPUCINO - CAPPUCINO METAL

TABLE 5/7



PHILIPS

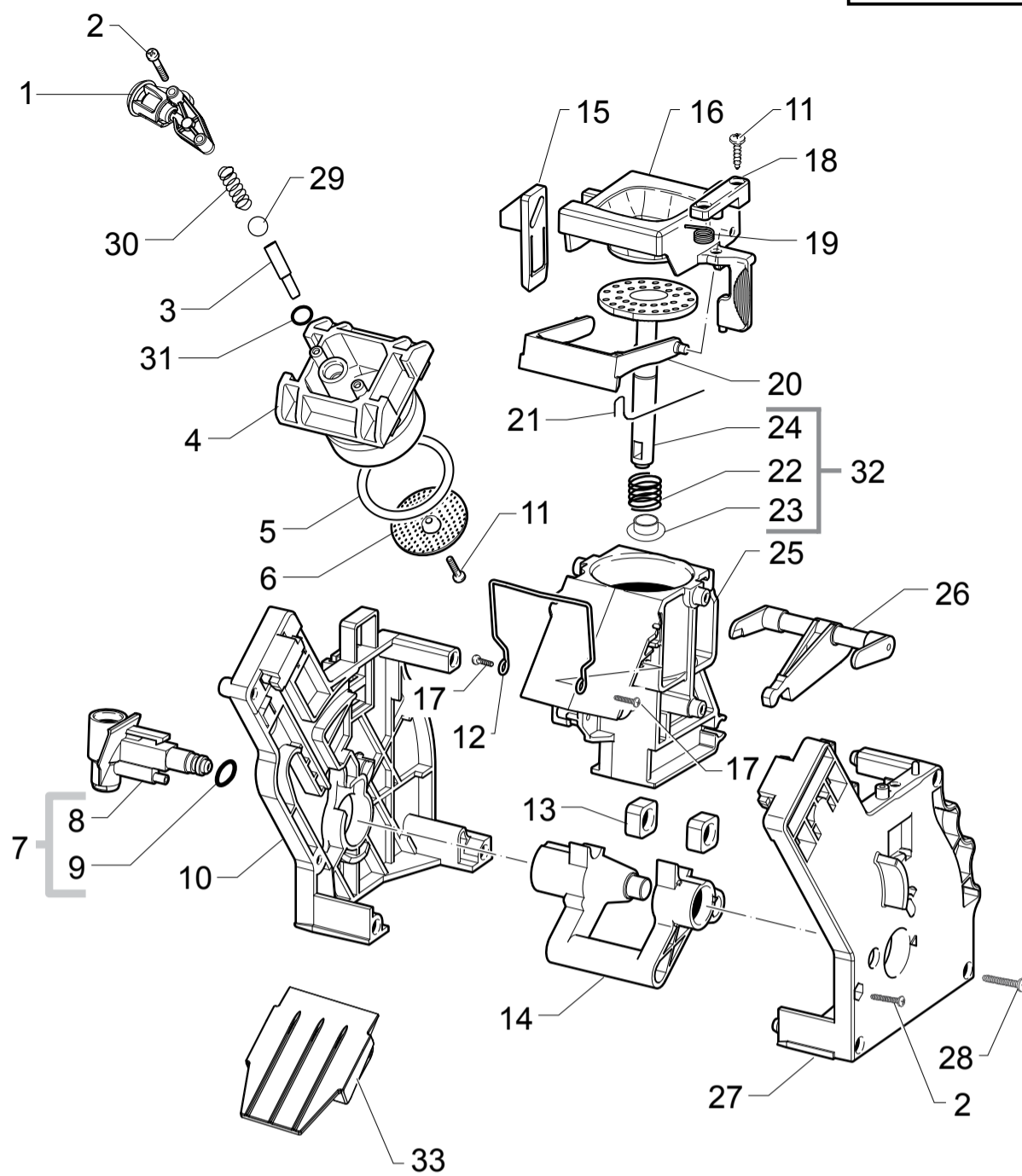
Saeco

HD8753/04-06-11-12-15-19-23-25
HD8753/81-82-83-84-87-88-89



Cod.10004081-84-3884-4079-82-85-80-4233
Cod.10003987-4109-06-4228-4107-4100-08

POS	CODE	12NC	DESCRIPTION	NOTE	POS	CODE	12NC	DESCRIPTION	NOTE
01	17000366	996530066736	BLK RATIOMOTOR MOUNTING PLATE XSMC ASSY.						
02	NE05.038	996530058869	MICROSWITCH SAIA XCG5-81-P5						
03	20000900	996530009913	SPARES KIT GEARS FOR RATIOMOTOR V2						
04	9161.132	996530050569	MYLAR WASHER FOR RATIOMOTOR						
05	11005214	996530002796	MOTOR FOR RATIOMOTOR P124 ASSY.						
06	9121.046	996530049898	BRONZE SINTERED BUSH FOR MOTOR RATIOMOT.						
07	148380200	996530017424	BAKELIZZATE WASHER D=5,5						
08	9121.044	996530049896	ANTIVIBRATION FOR MOTOR						
09	11003754	996530001899	BLK RATIOMOT.MOUNTING PLATE COVER P0057						
10	12000450	996530007819	SCREW TCBR TORX 10 3,5X12 PLAST.ZN-N						
11	11013531	996530006805	PIN FOR FLOW SELECTOR FAUCET P0057 ASSY.						
12	11013530	996530006804	PIN FOR FLOW SELECTOR FAUCET V2 P0057						
13	NM01.035	996530059399	OR ORM 0090-20 SILICONE						
15	12001890	996530073209	MICROSWITCH XG/V3D						
16	11013205	996530006688	BLACK SEAL FOR RATIOMOTOR PLATE XSM						
17	17001336	996530068732	GREY BREW UNIT DRAWER COFFEE NPR						
18	11031554	996530073362	BLK BREW UNIT 8GR.5BAR HGO						
19	12001728	996530070321	SCREW TCBR TORX 10 3,5X12 PLAST.SS						



PHILIPS

Saeco

HD8753/04-06-11-12-15-19-23-25
HD8753/81-82-83-84-87-88-89



Cod.10004081-84-3884-4079-82-85-80-4233
Cod.10003987-4109-06-4228-4107-4100-08

POS	CODE	12NC	DESCRIPTION	NOTE	POS	CODE	12NC	DESCRIPTION	NOTE
01	11009362	996530005415	BLK COF.OUTLET SLEEVE BREW UNIT S0053 AS						
02	12000550	996530007838	SCREW TCB TORX 10 3X25 PLAST.SS						
03	11009276	996530005372	BLK COUNTER PISTON TUBE BREW UNIT S0053						
04	11001840	996530001046	BLACK COUNTER PISTON BREW UNIT 8GR.P124						
05	NM01.044	996530059406	OR ORM 0320-40 SILICONE PTFE/FDA						
06	9161.268	996530050709	PERCOLATOR DE=35,8 ELFO						
07	20000440	996530009825	BLACK WATER INLET SLEEVE BREW UNIT ASSY.						
08	9161.064.050	996530050488	BLACK WATER INLET SLEEVE BREW UNIT ROYAL						
09	NM02.007	996530059441	OR 2025 IN TERMOIL						
10	9161.375.050	996530050832	BLACK BREW UNIT REAR PLATE SMART						
11	12000895	996530007951	SCREW TSP TORX 10 3X10 PLAST.SS						
12	11001556	996530000898	SS BREW UNIT SPRING H=49 SMART						
13	9161.094.050	996530050539	BLACK BREW UNIT DRILLED BLOCK						
14	9161.066.050	996530050492	BLACK BREW UNIT ELBOW SHAFT M5000						
15	9161.373.050	996530050827	BLACK BREW UNIT COUPLING PLATE SMART						
16	149261350	996530018241	BLACK HOPPER DOSER BREW UNIT SMART1						
17	129912521	996530013148	SCREW TCB TORX 10 3,5X14 PLAST.SS						
18	9161.374.050	996530050829	BLK BREWUNIT HOPPER BLOCKING PLATE SMART						
19	9161.378	996530050838	SS HOPPER SPRING FOR BREW UNIT SMART						
20	11004161	996530002096	BLACK SCRAPER FOR BREW UNIT M5000						
21	9161.046	996530050455	SS SCRAPER SPRING FOR BREW UNIT						
22	9161.198	996530050627	SS.8GR.BREW UNIT PISTON SPRING						
23	9161.191	996530050618	WHITE 8GR.-12GR.BREW UNIT PISTON BUSH						
24	11003077	996530001451	BLK BREW UNIT INTEGRAL PISTON 8GR.ASSY.						
25	11003075	996530001448	BLACK COFFEE CONTAINER BREW UNIT P124						
26	11003078	996530001452	BLACK CONNECTING ROD BREW UNIT 8GR.						
27	11005920	996530003228	BLACK BREW UNIT FRONT PLATE S/SCR.SMART						
28	12000897	996530007953	SCREW TCB TORX 10 3,5X20 PLAST.SS						
29	9991.168	996530051874	GLASS SPHERE D.5 MM						
30	11012095	996530006305	SS COFFEE UNIT CONTERPISTON SPRING S0053						
31	140328761	996530013575	OR ORM 0060-15 TERMOIL						
32	11023086	996530007577	BLK 8GR.BREW UNIT NTEGR.PISTON GEN.ASSY.						
33	17000663	996530073322	BLK BREW UNIT CONVEYOR SLIDE L=76,8						
	11031554	996530073362	BLACK BREW UNIT 8GR.5BAR HGO						