
GAGGIA SUP 027 YDR

TITANIUM

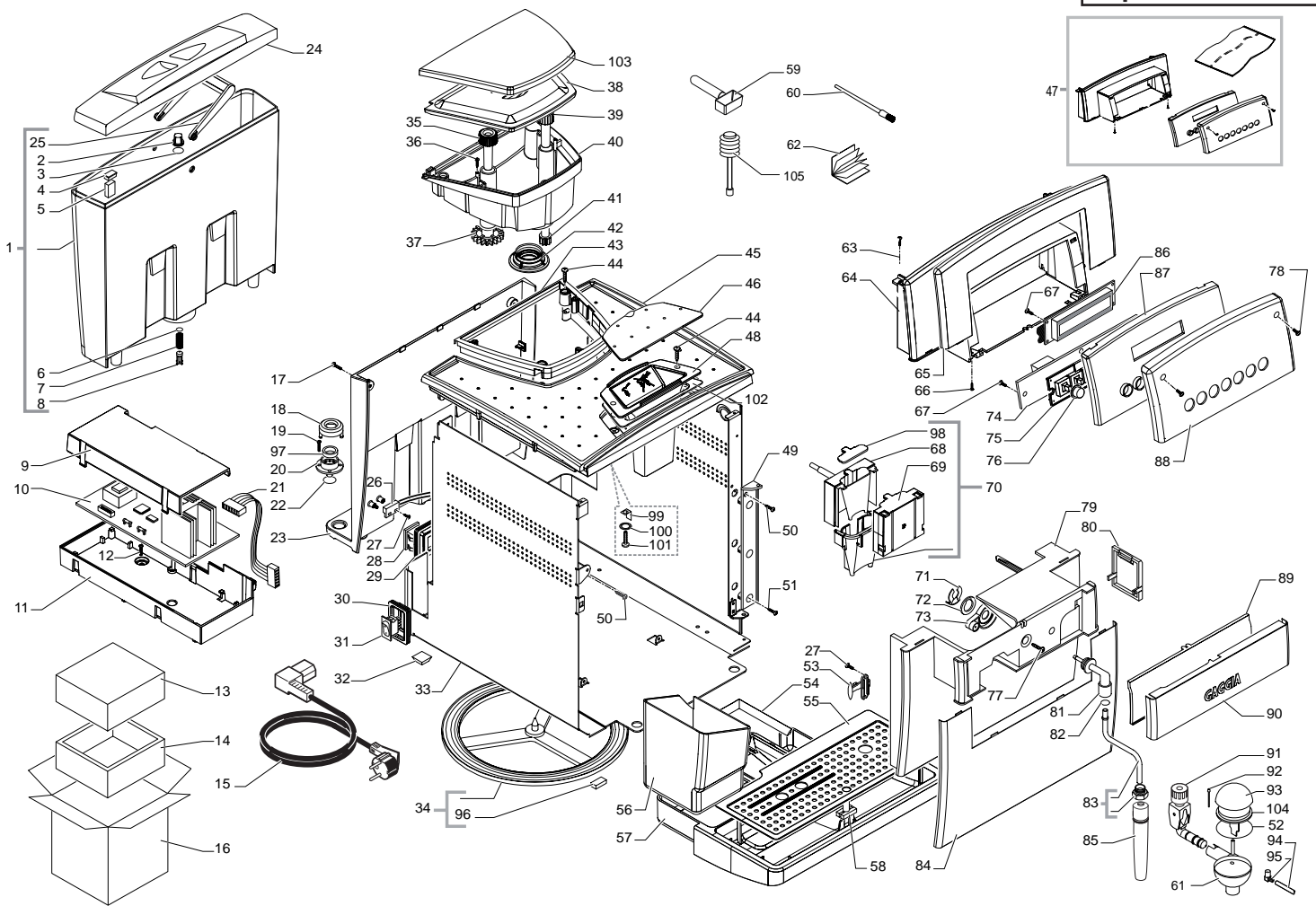
Cod. 9314
Cod.10002494

POS	CODE	DESCRIPTION	NOTE	POS	CODE	DESCRIPTION	NOTE
01	222693300	WATER CONTAIN.AS.NATURAL GREY G6000		30	149201950	SWITCH GENERAL SUPPORT BLACK G6000	
02	224640200	EXTERNAL FILTER FOR WATER CONTAINER ASSY	WITH PART. N°03	31	NE03.038	BIPOLAR SWITCH FUSIT C1250AR	
03	140328461	EPDM OR METRIC 0190-10		32	147623150	SQUARE ADHESIVE FOOT 5023 BLACK	
04	149214359	BLACK CAP FOR FLOATING SPACE LAV.		33	222361337	CASING G6000 SILVER	230V
05	9161.112.150	LEVEL FLOAT GREY			122359821	CASING G6000 STAINLESS STEEL	230V
06	140324362	OR METRIC 0060-30 IN SILICONE			122359821_UL	STAINLESS STEEL G6000 FRAME	120V
07	126764718	SPRING FOR WATER CONTAINER VALVE			222361337_UL	CARCASSA G6000 VERNIC.ARGENTO/8401C	120V
08	147660562	GREY WATER VALVE CONTAINER PISTON		34	220380259	ROTATING RING SMART WITH 3 FEET	WITH PART. N°96
09	147757100	ELECTRONICS BOARD PROTECTION G6000		35	227721650	GRIND.ADJUSTM.BLACK KNOB G100 S/SCR	
10	281564758	POWER ELEC.BOARD G6000 DIGIT/RS.ASSY	230V-WITH PART.N°21	36	U140.004	PANELVIT TCB 3,0X12 DIN 7505 B GAL	
	281564755	POWER ELEC.BOARD G6000 DIGIT/RS.ASSY	(BOILER TEFLON TUBE)	37	146000850	GEAR COFF. GRIND. ADJUSTMENT COMBI	
	11013510	AS.CPU+FLAT G6000 DIG/SV. V1	120V-WITH PART.N°21	38	142816279	LID BLUE SAFETY AROM.CAF.CONT.G6000	
	11013511	AS.CPU+FLAT G6000 DIG/SV. V1	(BOILER TEFLON TUBE)	39	227721550	COF.DOSE ADJUS.BLACK KNOB G100 S/SCR	
		UP TO S/N. 9008GA40115460	230V-WITH PART.N°21	40	8314007000	COFFEE CONTAINER	
		UP TO S/N. 9008GA40115460	(BOILER REINF.SILTUBE)	41	146001950	COFFEE DOSE ADJ.GEAR BLACK SMART	
11	149202050	SUPPORT ELECTRONIC CARD G6000 BLACK	120V-WITH PART.N°21	42	145852360	BEAN COFFEE CONTENIT.SEAL SMART	
12	129670202	PANE. TCB SCREW 3,5X16 TESTA D-8 Z	(BOILER REINF.SILTUBE)	43	227751737	BEAN CONTAIN.COF.PROTECT.G6000 SILV	
13	175898300	UPPER TECHMATE INSERT FOR BOX G6000		44	129570602	SCREW TCB 3X8 UNI 8112 ZNP	
14	175898400	LOWER TECHMATE INSERT FOR BOX G6000		45	282800737	CUPWARMER LID AS.G6000 SILVER	WITH PART. N°99-100-101
15	183940650	BLACK POWER CABLE AUSTRALIA L=1200		46	222802587	GROUND COFF.CONT.LID G6000 S/STEEL	
	183921950	POWER CABLE SJT3 USA BLACK UL L=1200		47	226480800	FRONT PANEL G6000 TRANSPARENT	
	183970350	BLACK POWER CABLE UK 3X1 H05VV-F L=1200		48	149261450	HOPPER BLACK GROUND COF.DOSER G6000	
	183930650	POWER CABLE CH BLACK 3X1 H05VV-F L=1200		49	222630437	DOOR HINGE G6000 SILVER	
	183911050	POWER CABLE SCHUKO BLACK L=1200		50	129661204	SCREW PANELVIT TCB 3X16 DIN7505 BRU	
	11004245	BLACK POWER CABLE BRAZIL W/CONECT.L=1200		51	129740202	SCREW TSP PH/TT 4X10 UNI 8113 ZNP	
16	178514800	FLEXOG.BOX GAGGIA SYNCRONY TITANIUM		52	NM01.012	OR ORM 0340-20 IN SILICONE	
17	129512904	SCREW TCB 2,9X12,7 DIN 7981 BURN		53	146313740	DISENGAGE LEVER GREY/SILVER DOOR SMART	
18	0701.031.150	SEAL COVER GREY		54	229170450	SEALING SUPPORT AS.WATER DRIP TRAY	
19	129535721	SCREW TSP3,5X9,5 DIN 7982 SS		55	125743987	GRATE G6000 STAINLESS STEEL/SB	
20	0701.014.150	SEAL CONTAINER GREY		56	142602800	DUMP BOX G6000 UNPAINTED	
21	283557200	FLAT CABLE		57	229631637	DRIP TRAY G6000 SILVER	
22	140320461	OR METRICO 0080-20 IN TERMOIL		58	145501211	RED FLOAT FOR DRIP TRAY SMART	
23	229184937	SUPPORT WATER CONTAIN.G6000 SILVER		59	146680850	BLACK COFFEE MEASURE SMART	
24	222765037	WATER CONTAINER LID G6000 SILVER		60	127390100	BRUSH FOR CLEANING	
25	146581300	WATER CONTAINER HANDLE G6000 GREY		61	142906150	CAPPUCCINATORE CASING BLACK	
26	0301.811	CONNECTOR ASS. 2 POLE LEVEL		62	165896100	INS.MANUAL GAGGIA SYNCRON.METAL DIG	
27	U109.028	SCREW AUT.TCB 2,9X9,5 DIN 7981 C			15001281	INSTRUCTIONS MANUAL GAGGIA TITANIUM BRASIL	
28	NE13.013	CUP SOCKET EN 60320 C 13		63	129512503	SCREW TCB 2,9X9,5 DIN 7981 NICK	
29	149202150	SOCKET POW.CABL.SUPPORT BLACK G6000		64	229185237	FRONT PANEL SUPPORT G6000 SILVER	
						FROM S/N. 9004GA40003441	

GAGGIA
TITANIUM

Rev. 07 - 10/03/09

TABLE 1a/5



GAGGIA

SUP 027 YDR

TITANIUM

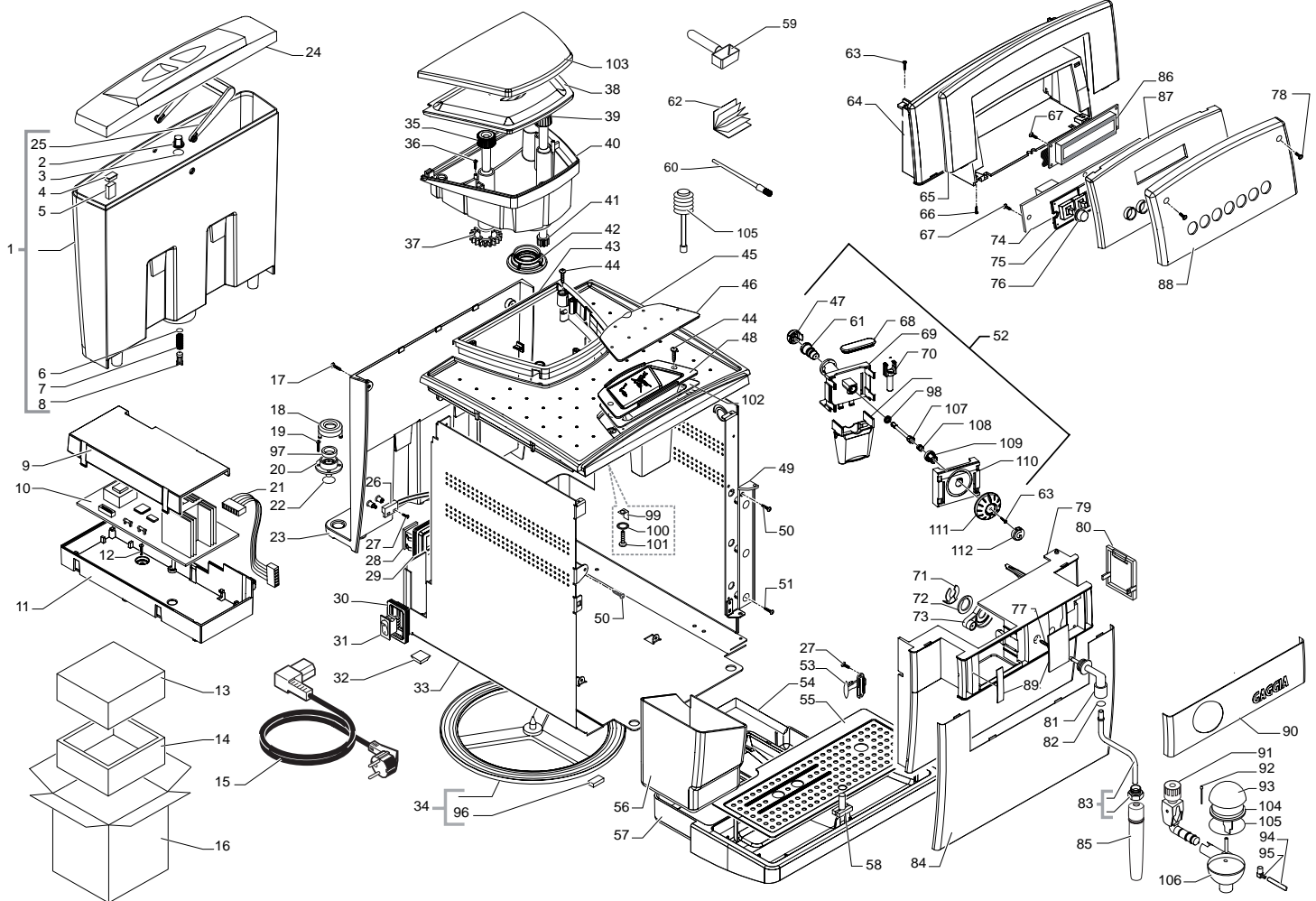


Cod. 9314
Cod.10002494

POS	CODE	DESCRIPTION	NOTE	POS	CODE	DESCRIPTION	NOTE
65	127535621	PLATE FOR FRONT PANEL G6000 S.STEEL		98		PARTICULAR NOT AVAILABLE	SEE PART. N°70
66	129533202	SCREW TSPTORX T10 3,5X9,5 D7982 NI			149213850	CAP COF.DISPEN.HEAD SUP.BLACK G6000	
67	129511803	SCREW TCB 2,9X6,4 DIN 7981 NICK				DA MATR. 9004GA40003441	
68		PARTICULAR NOT AVAILABLE	SEE PART. N°70			UP TO S/N. 9004GA40003440	
68	142855450	REAR COFF.DISPENS.COVER G6000 BLACK		99	NE15.026	MALE TONGUE 45° 6,3 D.5,2	
69		PARTICULAR NOT AVAILABLE	SEE PART. N°70	100	128310404	WASHER UNI 8842 A4 BURNISHED	
		UP TO S/N. 9004GA40003440		101	129573202	SCREW TCB PH/TT 4X8 UNI 8112 ZNP	
	142855350	FRONT COF.DISPENS.COVER G6000 BLACK		102	145855060	SEAL HOPPER GROUND COFF.DOSER G6000	
		DA MATR. 9004GA40003441		103	222765137	BEAN COFF.CONTAIN.LID G6000 SILVER	
		UP TO S/N. 9004GA40003440		104	145897450	BLACK CAPPUCCINATORE CASING LID INSERT	
70	223701304	COFFEE DISPENSER AS.G6000 BLACK		105	147700100	LOADING PUMP DIAMETER 14 MM	120V
71	NF11.084	FOLK SPRING					
72	9161.384	SPACER FOR CONNECTION STEAM TUBE					
73	149196850	CONNECTOR STEAM SUPPORT G100 BLACK					
74	181555500	TERMINAL BOARD BUTTON G6000 DIG.R.S					
75	149252600	TOUCH PANEL 7 BUTTONS G6000					
76	229140808	BUTTON FOR G6000 CHROMIUM PLATED					
77	DI7981P3.5X13Z	SELF TAPPING GALV. SCREWPLAST					
78	129932321	TSPCEI SCREW 3,9X12 STAINLESS STEEL					
79	228983037	DOOR G6000 SILVER					
80	228983137	LATERAL DOOR G6000 SILVER					
81	11010762	TEA/BRASS 90°CONNECTOR STEAM TUBE G100					
82	NM02.007	OR 2025 TERMOIL					
83	229381808	STEAM TUBE AS.CHROMATE G100					
84	127535521	LOWER PLATE FOR DOOR G6000 ST.STEEL					
85	227431321	PANNARELLO ASS.G100 STAINLESS STEEL					
86	192200500	20x2 LCD BLUE DISPLAY STN + FLAT					
87	229161237	TOUCH PANEL SUPPORT G6000 SILV.S/SC					
		DA MATR. 9004GA40003441					
88	144883200	TRANSPARENT FRONT PANEL G6000					
		DA MATR. 9004GA40003441					
89	147573000	TRANSPULATE FOR LIGHT DIFFUSIVENESS					
90	127535421	UPPER PLATE FOR DOOR G6000 ST.STEEL					
91	227910750	90 DEG CONN. (ARTIC.) CAPPUCC. BLACK					
92	148870150	BLACK CAPPUCCINATORE PIN					
93	142816850	CAPPUCCINATORE CASING LID BLACK					
94	149360400	TRANSPARENT SILCONE TUBE 3,5X6	IN ROLL				
95	147922350	CONNECTOR 90° FOR CAPPUCCINATORE BLACK					
96	147623650	SQUARE ADHESIVE FOOT NB4256 BLACK					
97	145842900	WATER CONTAIN.VALVE SEAL GACO DIM14					

GAGGIA

TITANIUM


GAGGIA®

SUP 027 YDR
TITANIUM PLUS

Cod. 9314
Cod.10002494

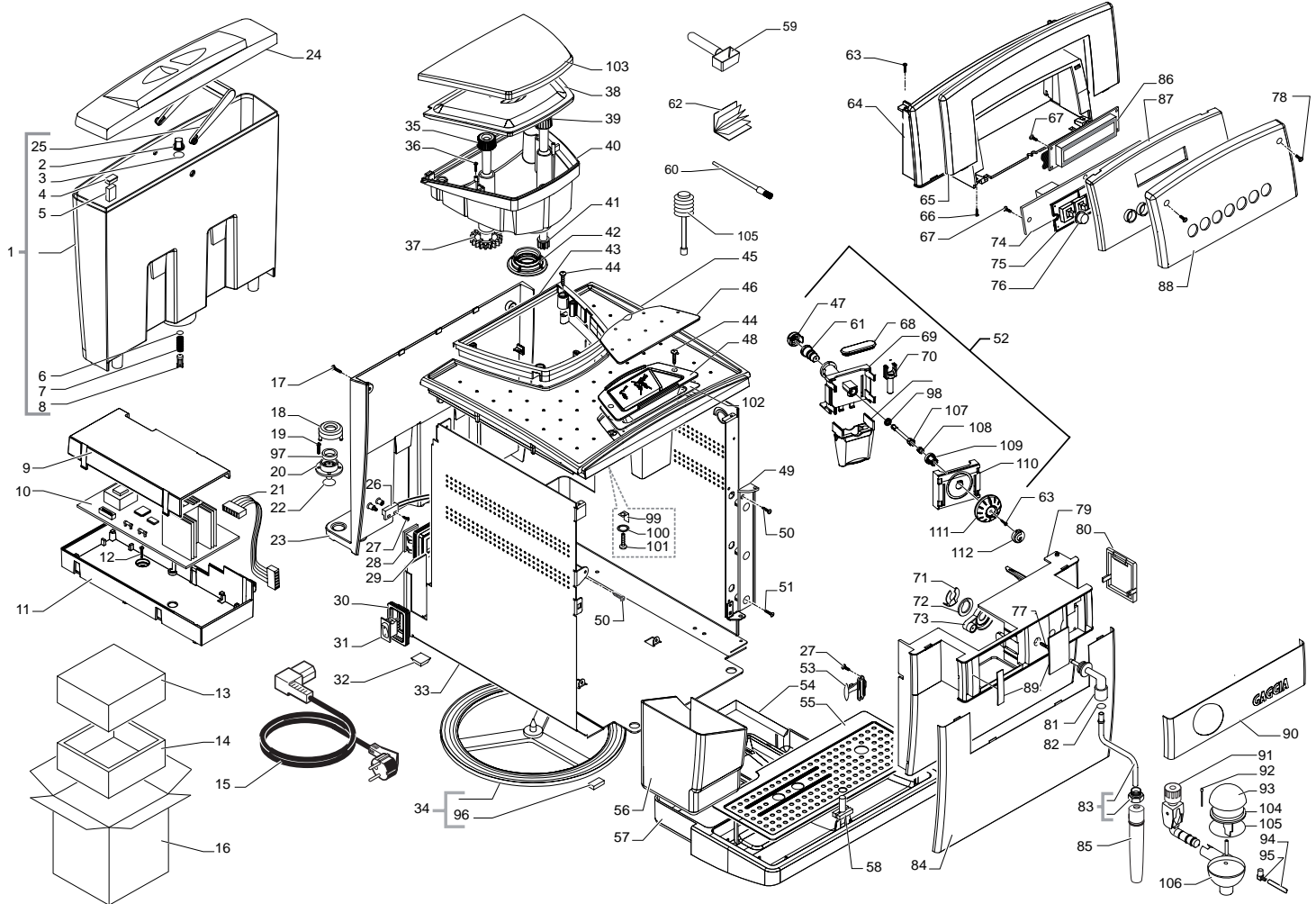
POS	CODE	DESCRIPTION	NOTE	POS	CODE	DESCRIPTION	NOTE
01	222693300	WATER CONTAIN.AS.NATURAL GREY G6000		30	149201950	SWITCH GENERAL SUPPORT BLACK G6000	
02	224640200	EXTERNAL FILTER FOR WATER CONTAINER ASSY	WITH PART. N°03	31	NE03.038	BIPOLAR SWITCH FUSIT C1250AR	
03	140328461	EPDM OR METRIC 0190-10		32	147623150	SQUARE ADHESIVE FOOT 5023 BLACK	
04	149214359	BLACK CAP FOR FLOATING SPACE LAV.		33	222361337	CASING G6000 SILVER	230V
05	9161.112.150	LEVEL FLOAT GREY			222361337_UL	STAINLESS STEEL G6000 FRAME PAINTED	120V
06	140324362	OR METRIC 0060-30 IN SILICONE		34	220380259	ROTATING RING SMART WITH 3 FEET	WITH PART. N°96
07	126764718	SPRING FOR WATER CONTAINER VALVE		35	227721650	GRIND.ADJUSTM.BLACK KNOB G100 S/SCR	
08	147660562	GREY WATER VALVE CONTAINER PISTON		36	U140.004	PANELVIT TCB 3,0X12 DIN 7505 B GAL	
09	147757100	ELECTRONICS BOARD PROTECTION G6000		37	146000850	GEAR COFF. GRIND. ADJUSTMENT COMBI	
10	281564758	POWER ELEC. BOARD G6000 DIGIT/RS.ASSY	230V-WITH PART.N°21	38	142816279	LID BLUE SAFETY AROM.CAF.CONT.G6000	
		UP TO S/N. 9008GA40115459	(BOILER TEFLON TUBE)	39	227721550	COF.DOSE ADJUS.BLACK KNOB G100 S/SC	
	281564755	POWER ELEC. BOARD G6000 DIGIT/RS.ASSY	120V-WITH PART.N°21	40	8314007000	COFFEE CONTAINER	
		UP TO S/N. 9008GA40115459	(BOILER TEFLON TUBE)	41	146001950	COFFEE DOSE ADJ.GEAR BLACK SMART	
	11013510	AS.CPU+FLAT G6000 DIG/SV. V1	230V-WITH PART.N°21	42	145852360	BEAN COFFEE CONTENT SEAL SMART	
		UP TO S/N. 9008GA40115460	(BOILER REINF.SILTUBE)	43	227751737	BEAN CONTAIN.COF.PROTECT.G6000 SILV	
	11013511	AS.CPU+FLAT G6000 DIG/SV. V1	120V-WITH PART.N°21	44	129570602	SCREW TCB 3X8 UNI 8113 ZNP	
		UP TO S/N. 9008GA40115460	(BOILER REINF.SILTUBE)	45	282800737	CUPWARMER LID AS.G6000 SILVER	WITH PART. N°99-100-101
11	149202050	SUPPORT ELECTRONIC CARD G6000 BLACK		46	222802587	GROUND COFF.CONT.LID G6000 S/STEEL	
12	129670202	PANE. TCB SCREW 3,5X16 TESTA D-8 Z		47	149213450	CAP FOR COFFEE DISPENSER TUBE	
13	175898300	UPPER TECHMATE INSERT FOR BOX G6000		48	149261450	HOPPER BLACK GROUND COF.DOSER G6000	
14	175898400	LOWER TECHMATE INSERT FOR BOX G6000		49	222630437	DOOR HINGE G6000 SILVER	
15	183940650	BLACK POWER CABLE AUSTRALIA L=1200		50	129661204	SCREW PANELVIT TCB 3X16 DIN7505 BRU	
	183921950	POWER CABLE SJT3 USA BLACK UL L=1200		51	129740202	SCREW TSP PH/TT 4X10 UNI 8113 ZNP	
	183970350	BLACK POWER CABLE UK 3X1 H05VV-F L=1200		52	8314023000	COFFEE DISPENSER AS. TITANIUM PLUS	
	183930650	POWER CABLE CH BLACK 3X1 H05VV-F L=1200		53	146313740	DISENGAGE LEVER GREY/SILVER DOOR SMART	
	183911050	CAVO AL.SCHUKO 3X1 H05VV-F NERO L=1200MM		54	229170450	SEALING SUPPORT AS.WATER DRIP TRAY	
	11004245	CAVO AL.BRA.H05VV-F 3X1,5 C/C.NER.L=1200		55	125743987	GRATE G6000 STAINLESS STEEL/SB	
16	4314109000	BOX GAGGIA SYNCRONY TITANIUM PLUS		56	142602800	DUMP BOX G6000 UNPAINTED	
17	129512904	SCREW TCB 2,9X12,7 DIN 7981 BURN		57	229631637	DRIP TRAY G6000 SILVER	
18	0701.031.150	SEAL COVER GREY		58	145501211	RED FLOAT FOR DRIP TRAY SMART	
19	129535721	SCREW TSP3,5X9,5 DIN 7982 SS		59	146680850	BLACK COFFEE MEASURE SMART	
20	0701.014.150	SEAL CONTAINER GREY		60	127390100	BRUSH FOR CLEANING	
21	283557200	FLAT CABLE		61	11002323	CONIC SEAL FOR COFFEE DISPENSER TUBE	
22	140320461	OR METRICO 0080-20 IN TERMOIL		62	4314110000	INS.MANUAL GAGGIA TITANIUM PLUS	
23	229184937	SUPPORT WATER CONTAIN.G6000 SILVER		63	129512503	SCREW TCB 2,9X9,5 DIN 7981 NICK	
24	222765037	WATER CONTAINER LID G6000 SILVER		64	229185237	FRONT PANEL SUPPORT G6000 SILVER	
25	146581300	WATER CONTAINER HANDLE G6000 GREY		65	127535621	PLATE FOR FRONT PANEL G6000 S.STEEL	
26	0301.811	CONNECTOR ASS. 2 POLE LEVEL		66	129533202	SCREW TSPTORX T10 3,5X9,5 D7982 NI	
27	U109.028	SCREW AUT.TCB 2,9X9,5 DIN 7981 C		67	129511803	SCREW TCB 2,9X6,4 DIN 7981 NICK	
28	NE13.013	CUP SOCKET EN 60320 C 13		68	4314099000	CAP DISTRIBUTOR SBS	
29	149202150	SOCKET POW.CABL.SUPPORT BLACK G6000		69	4314104000	SHELL INTERNAL DISTRIBUTOR SBS	

GAGGIA®

TITANIUM PLUS

Rev. 03 - 10/03/09

TABLE 2a/5



GAGGIA

SUP 027 YDR

TITANIUM PLUS

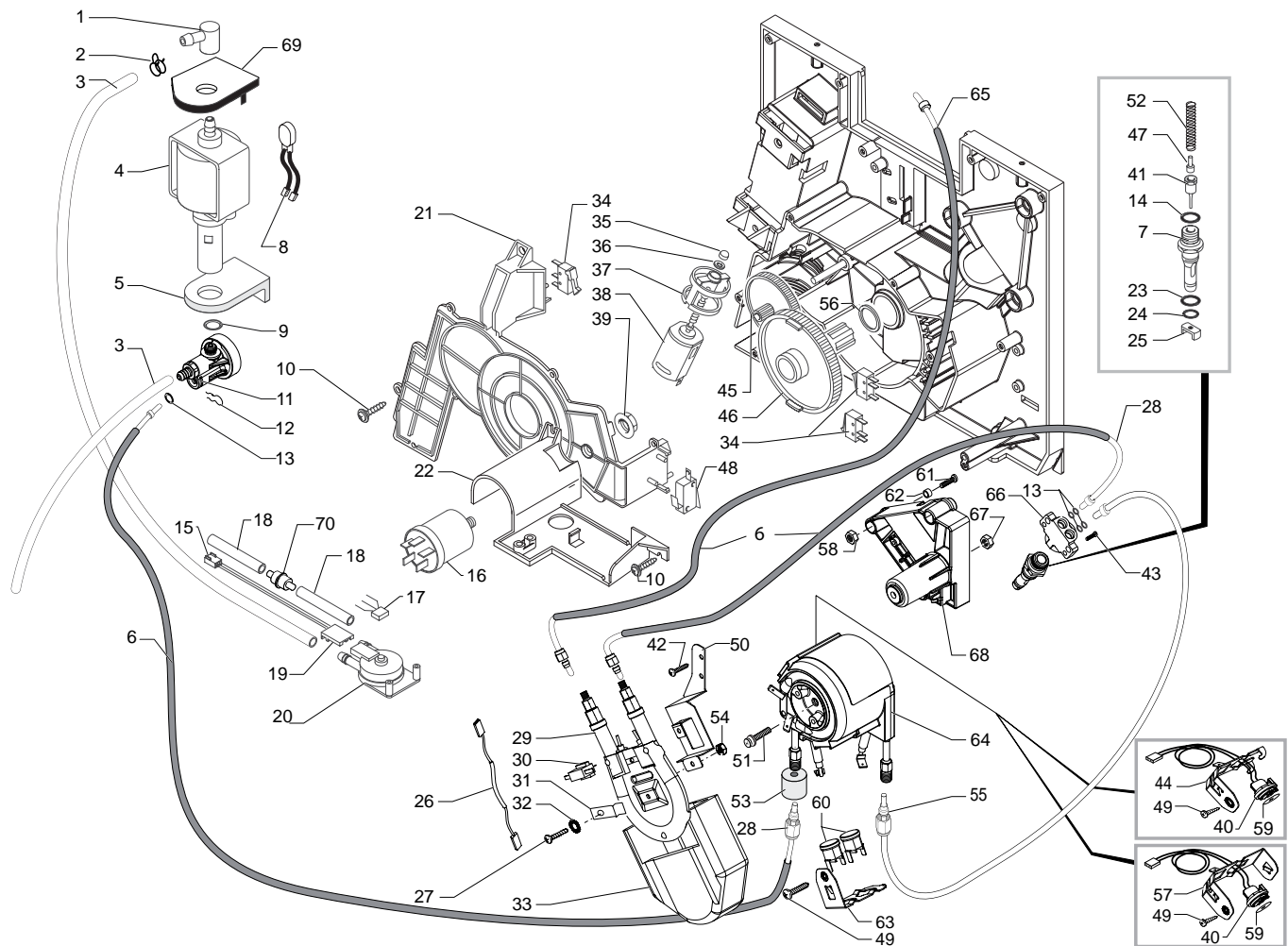


Cod. 9314
Cod.10002494

POS	CODE	DESCRIPTION	NOTE	POS	CODE	DESCRIPTION	NOTE
70	4314098000	DELIVERING SPOUT SBS		111	6314102000	CHROMED KNOB PLUS SILVER	
71	NF11.084	FOLK SPRING		112	6314101000	CAP KNOB PLUS SILVER	
72	9161.384	SPACER FOR CONNECTION STEAM TUBE		113	147700100	LOADING PUMP DIAMETER 14 MM	120V
73	149196850	CONNECTOR STEAM SUPPORT G100 BLACK					
74	181555500	TERMINAL BOARD BUTTON G6000 DIG.R.S					
75	149252600	TOUCH PANEL 7 BUTTONS G6000					
76	229140808	BUTTON FOR G6000 CHROMIUM PLATED					
77	DI7981P3.5X13Z	SELF TAPPING GALV. SCREWPLAST					
78	129932321	TSPCEI SCREW 3,9X12 STAINLESS STEEL					
79	6314103000	DOOR PLUS SILVER					
80	228983137	LATERAL DOOR G6000 SILVER					
81	11010762	TEA/BRASS 90°CONNECTOR STEAM TUBE G100					
82	NM02.007	OR 2025 TERMOIL					
83	229381808	STEAM TUBE AS.CHROMATE G100					
84	127535521	LOWER PLATE FOR DOOR G6000 ST.STEEL					
85	227431321	PANNARELLO ASS.G100 STAINLESS STEEL					
86	192200500	20x2 LCD BLUE DISPLAY STN + FLAT					
87	6314047000	TOUCH PANEL SUPPORTTITANIUM PLUS SILVER					
88	144883200	TRANSPARENT FRONT PANEL G6000					
89	4314108000	BI-ADHESIVE					
90	6314100000	UPPER PLATE PANEL					
91	227910750	90 DEG CONN. (ARTIC.) CAPPUCC. BLACK					
92	148870150	BLACK CAPPUCCINATORE PIN					
93	142816850	CAPPUCCINATORE CASING LID BLACK					
94	149360400	TRANSPARENT SILCONE TUBE 3,5X6	IN ROLL				
95	147922350	CONNECTOR 90° FOR CAPPUCCINATORE BLACK					
96	147623650	SQUARE ADHESIVE FOOT NB4256 BLACK					
97	145842900	WATER CONTAIN.VALVE SEAL GACO DIM14					
98	140326661	OR METRIC 0040-20 IN EPDM					
99	NE15.026	MALE TONGUE 45° 6,3 D.5,2					
100	128310404	WASHER UNI 8842 A4 BURNISHED					
101	129573202	SCREW TCB PH/TT 4X8 UNI 8112 ZNP					
102	145855060	SEAL HOPPER GROUND COFF.DOSER G6000					
103	222765137	BEAN COFF.CONTAIN.LID G6000 SILVER					
104	145897450	BLACK CAPPUCCINATORE CASING LID INSERT					
105	NM01.012	OR ORM 0340-20 IN SILICONE					
106	142906150	CAPPUCCINATORE CASING BLACK					
107	140640200	CREAM ADJUSTMENT SHAFT					
108	126772518	SPRING FOR CREAM ADJUSTMENT SHAFT					
109	149198700	SUPPORT CREAM ADJUSTMENT SHAFT					
110	4314105000	SHELL EXTERNAL DISTRIBUTOR SBS					

GAGGIA

TITANIUM PLUS



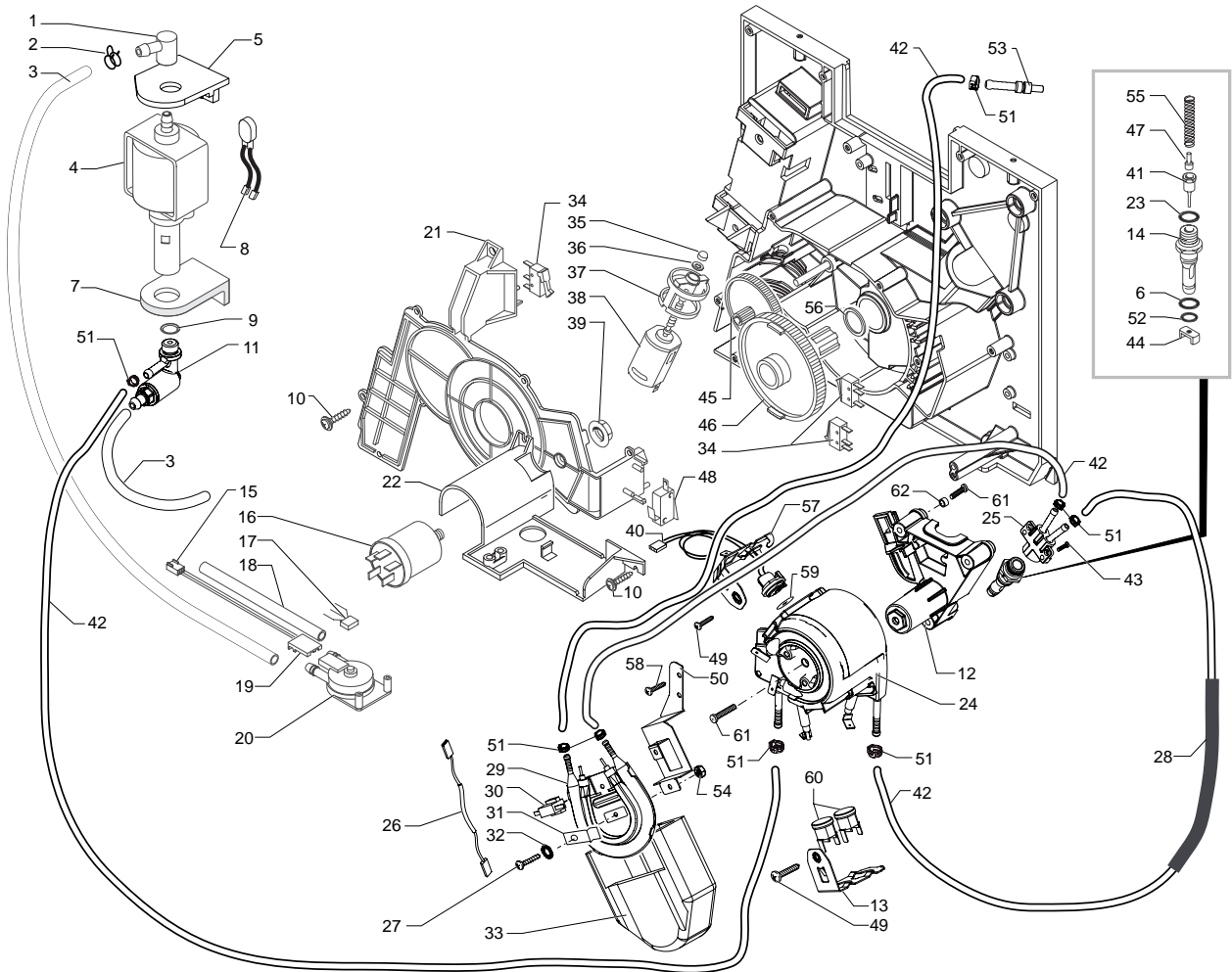
GAGGIA SUP 027 YDR



Cod. 9314
Cod.10002494

POS	CODE	DESCRIPTION	NOTE
01	147920150	90°CONNECTOR PUMP INLET	
02	184320200	SPRING HOSE CLAMP D=9,5MM	
03	149360200	SILICONE TUBE 5X8 70SR	IN ROLL
04	12000140	ULKA PUMP EP5/S GW	230V-50HZ
	12000131	ULKA PUMP EP5/S	120V-60HZ
05	149185850	EATON PUMP SUPPORT MAGIC 4002012	
06	149361200	BLACK SILICON TUBE 7,5X9,3	IN ROLL
07	9011.100	PEG FOR VALVE IN PLASTIC	
08	0311.807	YELLOW HARNESS KLIXON JP 13	230V
	289203100	UP TO S/N. 9004GA40002300 THERMAL PROTECTOR 120°C CAB.140/340	230V
		FROM S/N. 9004GA40002301	
	289204100	THERMAL PROTECTOR 120°C CAB.140/340	120V
09	NM02.028	OR 2015 EPDM FDA	
10	129670202	PANE. TCB SCREW 3,5X16 TESTA D=8 Z	
11	229452100	COMPENSATION AND SAFETY VALVE ASSY	
12	9011.144	FORK FOR TUBE D.4	
13	140328059	OR 2015 IN SILICONE PTFE/FDA	
14	140320459	OR METRICO 0080-20 SILICON.PTFE/FDA	
15	283551300	3POLE CONNECT.AS.TURBINE JP18 SMART	
16	184651100	ANTIDISTURB FILTER 0,47X2+1000Y2+0,5L	230V
	184651500	ANTIDISTURB FILTER 16A FNC 1610474472A	120V
17		PARTICULAR NOT AVAILABLE	SEE PART. N°20
18	JS01.022	SILICONE TUBE 5X10 60 SHORE	IN ROLL
19	9161.018	BRACKET FOR TURBINE	
20	286473300	-M-VDE TURBINE WITH SENSOR KIT	WITH PART. N°17
21	9161.331.920	RATIOMOTOR COVER TRANSPARENT	
22	149194800	TURBINE SUPPORT SMART	
23	NM01.035	OR ORM 0090-20 SILICONE	
24	NM01.057	OR ORM 0050-20 SILICONE	
25	9011.099	M CURSOR FOR BOILER VALVE IN PLASTIC	
26	183440800	CABLE 1 WIRE SILIC.BLACK THERM/FUSE 229°	230V
	183441062	CABLE 1 WIRE SILICON.BLACK AWG18+TH/FUSE	120V
27	129823802	TCB SCREW M4X8 UNI 7687 ZNP	
28	227874900	CONNECTOR AS.TEFLON 2X4 L=250 MM	
29	288140458	HEATING-ELEMENT BLECKMAN ASSY.	230V-1000W
	288140455	HEATING-ELEMENT BLECKMAN ASSY.	120V-1000W
30	189428300	THERMOSTAT 175° INTERCONTR.161471002	
31	127535319	THERMAL FUSE FIXING PLATE	
32	128310404	WASHER UNI 8842 A4 BURNISHED	
33	147755900	HEAT.ELEMENT PROTECTION BLECKMANN SMART	
34	NE05.038	MICROSWITCH	
35	9121.046	SINTERED BUSH FOR MOTOR	
36	148380200	WASHER BAKELIZZATE D=5,5	
37	9121.044	ANTIVIBRATION FOR MOTOR	
38	11003037	MOTOR FOR RATIOMOTOR ASSY.	120V-230V
39	123453602	FLANGE NUT M8 TOOTHED BASE GALV.	
40	288582200	SENSOR ASS.FOR ALLUM.BOILER AS.	230V
	288582300	SENSOR ELECT.BOARD WITH CONNECTOR ASSY.	120V

POS	CODE	DESCRIPTION	NOTE
41	11009019	TEA/BRASS PISTON L=20,9 ASSY.	
42	129573402	SCREW TAPT M4X10 DIN 7985 GALV	
43	129910103	HI-LO TC SCREW 3,5X15 RIF.910189	
44	126838217	SENSOR FIXING SPRING	
		FROM S/N. 9004GA4000534	
45	9121.042	GEAR Z.12/90	
46	9121.069.150	GEAR Z=108 FOR MOUNTING PLATE M4000	
47	11009013	TEA/BRASS PIN FOR PISTON L=10	
48	186723800	MICROSWITCH SAIA X3M502K2KAM92AS	
49	129573202	SCREW TCB PH/TT 4X8 UNI 8112 ZNP	
50	129025002	BRACKET BOILER SMART SUPPORT	
51	129932202	ROUND HEAD SCREW 10,9 M5X20 GALV	
52	9011.132	SPRING FOR PIN	
53	147756562	PROTECTION FOR FOLK SPRING TUBE D=4	
54	U302.003	NUT HEXAGONAL M4 UNI 5588	
55	227876800	CONNECTOR TEFLON 2X4 L=235 MM ASSY.	
56	9161.132	MYLAR WASHER FOR RATIOMOTOR	
57	126838017	SENSOR FIXING SPRING	
		UP TO S/N. 9004GA4000533	
58	U310.003	NUT SELF LOCK.M5 UNI 7473	
		FROM S/N. 0105144426	
59	145951600	ELECTRIC INSULATING DISK D=16	230V
60	189428200	THERMOSTAT 175° INT-08L-3794	120V
	189428600	THERMOSTAT 175° INT-08L-5125	
61	U044.020	SCREW TSP M5,0X30 UNI 7688 GALV.	
		UP TO S/N. 0105144426	
	129932502	GALVANIZDE SELF DRILLING SCREW 5X30	
		FROM S/N. 0105144427	
62	9161.206	INSULATING SPACER FOR BOILER	
63	126838117	2 THERMOSTATS FIXING SPRING	
64	282058858	ALUM.BOILER WITH RESISTANCE	230V-1100W
	282058855	ALUM.BOILER WITH RESISTANCE AS.	120V-1100W
65	227875400	CONNECTOR AS.TEFLON 2X4 L=330 MM	
66	147922700	BOILER SUPPORT CONNECTOR	
67	123453902	SELF-LOCK.NUT M5X0,8 DIN 980 CLA.8	
68	20000204	SPARES KIT SUPPORT BOILER SMART	
		UP TO S/N. 0105144426	
	149197700	SUPPORT FOR ALLUMINIUM BOILER SMART	
		FROM S/N. 0105144427	
69	149205710	PUMP SUPPORT HOLE 13,2 RED	
70	144650300	SUCTION FILTER GAUZE NET 500	
	282133758	BOILER SMART/RS 230V ASSY.	
	282135555	ALUM.BOILER 120V WITH RESISTANCE ASSY.	COMPLETE
		WITH PART. N° 7-13-14-23-24-25-28-40-41-43-44-47-49-51	COMPLETE
		52-53-55-57-58-59-60-63-64-66-67-68	



GAGGIA SUP 027 YDR

REINFORCE SILICONE TUBE
FROM S/N. 9008GA40115520

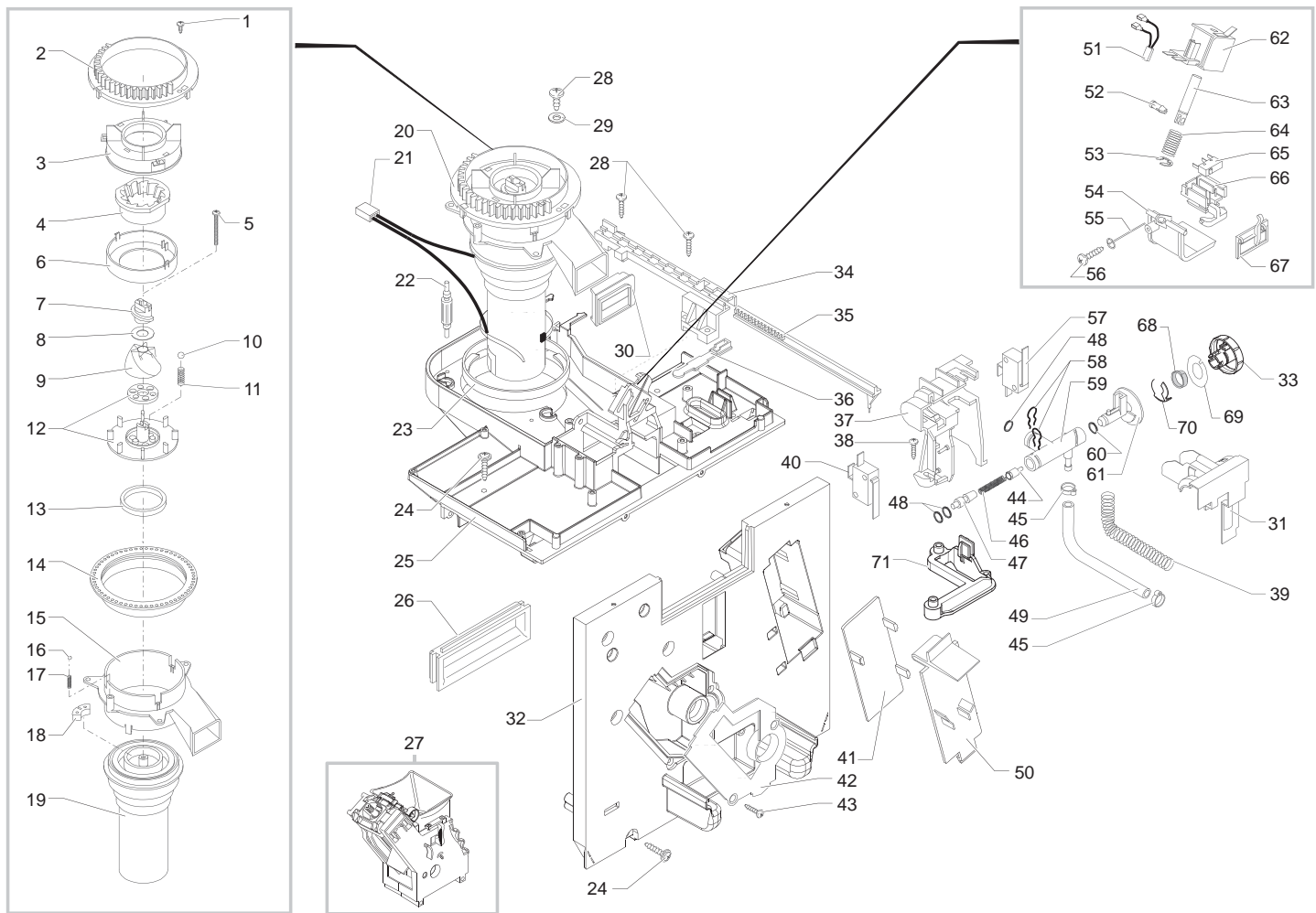


Cod. 9314
Cod.10002494

POS	CODE	DESCRIPTION	NOTE
01	147920150	90° INLET CONNECTOR PUMP	
02	184320200	SPRING HOSE CLAMP D=9,5MM	
03	149360200	SILICONE TUBE 5X8 70SR	IN ROLL
04	12000140	ULKA PUMP EP5/S GW	230V-50HZ
	12000131	ULKA PUMP EP5/S	120V-60HZ
05	149205710	PUMP SUPPORT HOLE 13,2 RED	
06	NM01.035	OR ORM 0090-20 SILICONE	
07	149185850	EATON PUMP SUPPORT MAGIC 4002012	
08	289203100	THERMAL PROTECTOR 120°C CABLES 140/340	230V
	289204100	THERMAL PROTECTOR 120°C CABL.140/340	120V
09	140321961	OR 2031 IN TERMOIL	
10	129670202	TCB PANELVIT SCREW 3,5X16 TESTA D=8 ZNP	
11	11010166	SAFETY VALVE 16-18 BAR V2 P0049 ASSY.	
12	11004209	SUPPORT FOR ALLUMINIUM BOILER SMART	
13	126838117	2 THERMOSTATS FIXING SPRING	
14	9011.100	PEG FOR VALVE IN PLASTIC	
15	283551300	3POLE CONNECT.AS.TURBINE JP18 SMART	
16	184651100	ANTIDISTURB FILTER 0,47X2+1000Y2+0,5L	
	184651500	ANTIDISTURB FILTER 16A FNC 1610474472A	
17		PARTICULAR NOT AVAILABLE	SEE PART.N°20
18	JS01.022	SILICONE TUBE 5X10 60 SHORE	IN ROLL
19	9161.018	BRACKET FOR TURBINE	
20	286473300	-M-VDE TURBINE WITH SENSOR KIT	WITH PART.N°17
21	9161.331.920	TRANSPARENT RATIOMOTOR COVER	
22	149194800	NATURAL TURBINE SUPPORT SMART	
23	140320459	OR ORM 0080-20 IN SILICONE PTFE/FDA	
24	11004667	ALUM.BOILER WITH RESISTANCE ASSY	230V-1100W
	11004669	ALUM.BOILER W/RESISTANCE ASSY	120V-1100W
25	11002606	BOILER SUPPORT CONNECTOR	
26	183440800	CABLE 1 WIRE SILIC.BLACK THERM/FUSE 229°	
27	129823802	TCB SCREW M4X8 UNI 7687 ZNP	
28	11010624	TRANSP.SILICONE TUBE 10,5X12,3 L=200 MM	
29	11004550	BLECKMAN RESISTANCE SMART ASSY.	230V
	11004551	BLECKMAN RESISTANCE SMART ASSY.	120V
30	189428300	THERMOSTAT 175° INTERCONTR.161471002	
31	127535319	GALV/STEEL THERMAL FUSE FIXING PLATE	
32	128310404	WASHER UNI 8842 A4 BURNISHED	
33	147755900	HEAT.ELEMENT PROTECTION BLECKMANN SMART	
34	NE05.038	MICROSWITCH	
35	9121.046	SINTERED BUSH FOR MOTOR	
36	148380200	WASHER BAKELIZZATE D=5,5	
37	9121.044	ANTIVIBRATION FOR MOTOR	
38	11003037	MOTOR FOR RATIOMOTOR ASSY.	
39	123453602	FLANGE NUT M8 TOOTHED BASE GALV.	
40	288582300	SENSOR ELECT.BOARD WITH CONNECTOR ASSY.	120V-230V

POS	CODE	DESCRIPTION	NOTE
41	11009019	TEA/BRASS PISTON L=20,9 ASSY.	
42	16000380	5X8,9 SILICONE TUBE	IN ROLL
43	129910103	HI-LO TC SCREW 3,5X15 RIF.910189	
44	9011.099	M CURSOR FOR BOILER VALVE IN PLASTIC	
45	9121.042	GEAR Z.12/90	
46	9121.069.150	GEAR Z=108 FOR MOUNTING PLATE M4000	
47	11009013	TEA/BRASS PIN FOR PISTON L=10	
48	186723800	MICROSWITCH SAIA X3M502K2KAM92AS	
49	129573202	SCREW TCB TORX 20 M4X8 AUTOFORMING ZN-B	
50	129025002	BRACKET BOILER SMART SUPPORT	
51	12000892	OETIKER CLAMP D=9,5 16700004	
52	NM01.057	OR ORM 0050-20 SILICONE	
53	11000750	TEA/BRASS CONNECTOR FOR SILICONE TUBE	
54	U302.003	NUT HEXAGONAL M4 UNI 5588	
55	9011.132	SPRING FOR PIN	
56	9161.132	MYLAR WASHER FOR RATIOMOTOR	
57	126838217	SENSOR FIXING SPRING	
58	129573402	SCREW TAPT M4X10 DIN 7985 GALV	
59	145951600	ELECTRIC INSULATING DISK D=16	
60	189428200	THERMOSTAT 175° 1NT-08L-3794	
61	129932502	SCREW TCEI 5X30 PLAST.ZN-B	
62	9161.206	INSULATING SPACER FOR BOILER	
	11010353	BOILER SMART/RS V3 230V ASSY.	COMPLETE
	11010354	BOILER SMART/RS V3 120V ASSY.	COMPLETE

GAGGIA



GAGGIA® SUP 027 YDR



Cod. 9314
Cod.10002494

POS	CODE	DESCRIPTION	NOTE	POS	CODE	DESCRIPTION	NOTE
01	129511803	SCREW TCB 2,9X6,4 DIN 7981 NICK		34	147572150	PLATE FIXING TOOTHED SLIDE SMART	
02	148650250	SECTOR GEARGRIND ADJUSTMENT KNOB COMBI		35	148740550	TOOTHED SLIDE FOR DOSE ADJUST SMART	
03	149186150	BLACK UPPER GRINDER SUPPORT MAGIC		36	9161.122.150	DOSE ADJUSTMENT LEVER GREY CLASSIC	
04		PARTICULAR NOT AVAILABLE	SEE PART. N°09	37	11005343	BLACK FAUCET SUPPORT/V2 SMART	
05	129931002	TORX SCREW T10 TCB 3,5X40 SX ZNG		38	U109.021	SCREW AUT.TCB 3,5X22 DIN 7981 C NIK	
06	142844550	UPPER GRINDER COVER COFFEE GRIND. MAGIC		39	126772018	SPRING DI=7,5 FOR FABRIC FINISH TUB	
07	147470763	INCREASE SCREW PIN COFFEE GRINDER MAGIC		40	186723900	MICROSWITCH SAIA X3M502K2KAJ52	
08	U201.002	PLAIN WASHER 10X16X0,2DIN 988 GAL		41	9161.345.050	INT.COVERING BLACK PUMP SPACE	
09	226477700	KIT ITAL MILL GRINDERS	WITH PART. N°04	42	9161.333.050	BOILER BLACK COVER	
10	128610521	STAIL.STEEL AISI 304 SPHERE D=5,5MM		43	129535721	SCREW TSP3,5X9,5 DIN 7982 SS	
11	126765517	STEEL SPRING SPHERE D=5,5 MOTOR MAGIC		44	11009018	TEA/BRASS PISTON L=15,1 ASSY.	
12	149188750	CONICAL GRIND. SUPP. + RING MAGIC		45	NF11.052	OETIKER CLIP	
13	140360200	FELT RING 40X34X5		46	126765317	STEEL SPRING BOIL. PISTON MAG.9011	
14	146570950	RING NUT FOR GRINDING ADJUSTMENT MAGIC		47	11009007	TEA/BRASS CAP FOR FAUCET NESPRESSO	
15	149194200	GRINDER MOTOR SUPPORT SMART		48	140328059	OR 2015 IN SILICONE PTFE/FDA	
16	128610421	STAIL.STELL AISI 304 SPHERE D=3,2MM		49	229433300	BRAIDED SILICONE TUBE 3X7 L=185 MM	
17	126770117	NEW SPRING SPHERE D=3,2 MOTOR MAGI		50	9161.332.050	EXT.COVERING BLACK PUMP SPACE	
18	140230400	SHOCK ABS .CONICAL GRINDER SUPP.MAGIC		51	289202200	THERMAL PROTECTOR 100°C	230V
19	9141.075.00A	MOTORE X MC MIELE WERKS NORME	230V		289203600	THERMAL.PROTEC.100°C UL CAB.145/200	120V
	9141.075.00F	MOTOR MC MIELE WERKS NORME	120V	52	9161.076.150	DOSER DOOR PIN GREY	
20	286884358	GENER.MOTOR AS. G6000 (STD/V2)	230V	53	U701.003	SNAP RING 7 UNI 7434	
	286884458	GENER.MOT.AS. G6000 (ITALY/V2)	230V	54	9161.074.150	DOSER DOOR GREY	
21	283544900	2POLES CONN.AS.COF.GRIN.JP1 33MH CA	230V	55	9161.048	SCRAPER ROD	
	283544955	2POLES CONN.AS.COF.GRIN.JP1 33MH CA	120V	56	U140.004	PANELVIT TCB 3,0X12 DIN 7505 B GAL	
22	9991.103	ANTIVIBRATION FOR COFFEEGRINDER		57	186724200	MICROSWITCH SAIA X3M502K2KAJ32AV	
23	9141.052	COFFEEGRINDER REINFORCING RING		58	9011.144	FORK FOR TUBE D.4	
24	129670202	PANE. TCB SCREW 3,5X16 TESTA D=8 Z		59	11003733	NIKELED STEAM FAUCET	
25	147531500	GRINDER SUPPORT PLATE P107		60	140328561	OR D=4,18 X 1,90 IN TERMOIL	
26	145895350	BLACK INSERT FOR MOUNT.PLATE SMART		61	140640300	FAUCET SHAFT FOR SMART	
27	11004183	BLACK BREW UNIT NEW P107 (SEE EXP. COD. E90052) NOTE:FOR SINGLE PARTS OF OLD GREY BREW UNIT:	TITANIUM	62	283770658	ELECTROMAGN.CABLE L=200 SMART ASSY.	230V
		SEE EXP.CODE E90034			283770655	ELECTROMAGN.CABLE L=200 SMART ASSY.	120V
	11004188	BLACK BREW UNIT V2 NEW/SBS SMART (SEE EXP. COD. E90055) NOTE:FOR SINGLE PARTS OF OLD GREY BREW UNIT:	TITANIUM PLUS	63	9161.041	DOSER ELECTROMAGNET CORE	
		SEE EXP.CODE E90038		64	126764818	SPRING ELECTROM.BEAN DOSER MAGIC	
28	129660102	PANELVIT TCB SCREW 3,5X18 D.7505 Z		65	NE05.017	MICROSWITCH	
29	U207.004	PLAIN WASHER 4,3X16 UNI 6592 GAL		66	9161.072.150	MICRO SUPPORT CURSOR GREY	
30	145851862	GROUND COFFEE OUTLET SEAL SMART		67	9161.073.150	DOSE CONTROL COMPENSATOR GREY	
31	147756400	PROTECTION FAUCET BODY WATER/STEAM		68	DM2296	COMPRESSION RING	
32	227533000	ASSEMBLY BOILER SUPPORT PLATE SMART		69	9161.383	SPACER FOR NESPRESSO KNOB	
33	227701537	STEAM KNOB G6000 SILVER		70	NF11.084	FOLK SPRING	
				71	0352.022.050	SPACER SUPPORT FAUCET S6000 BLACK	
					0345.R05	KIT RICAMBIO RUBINETTO NESPRESSO	

GAGGIA®